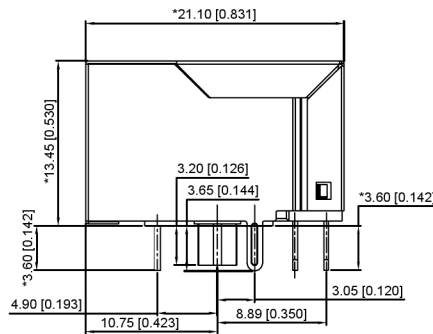
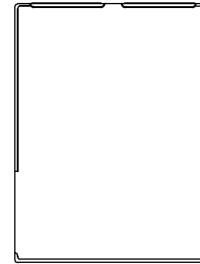


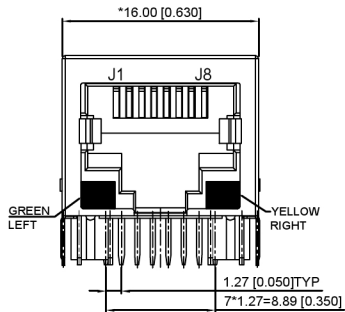
LEFT SIDE VIEW



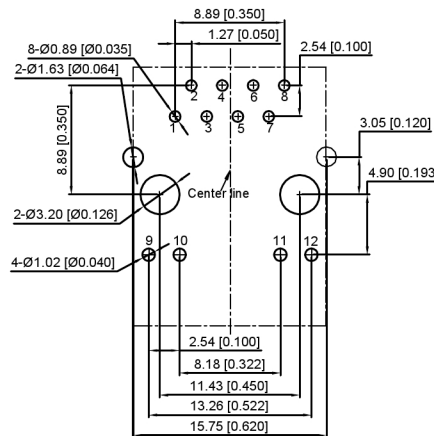
RIGHT SIDE VIEW



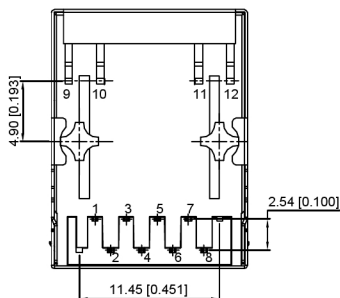
TOP VIEW



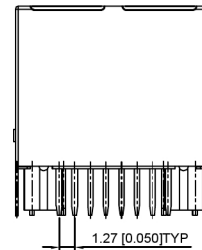
FRONT VIEW



RECOMMENDED PCB LAYOUT VIEWED FROM COMPONENT SIDE



BOTTOM VIEW

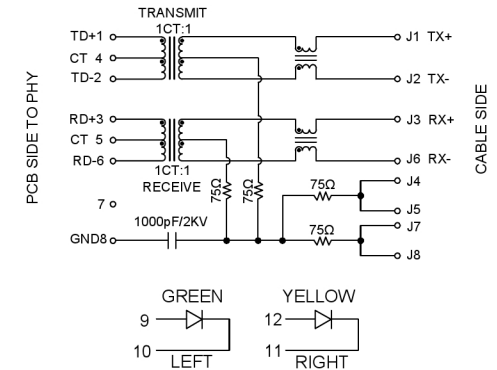


BACK VIEW

- Electrical:
- Turn ratio: 1~2: J1~J2=1CT:1CT(±2%), 3~6: J3~J6=1CT:1CT(±2%)
 - OCL: 350uH Min. at 100KHz 100mV 8mA DC.
 - Insertion Loss: -1.0 dB Max 1~100MHz.
 - Return loss: -20dB Min 1~10MHz, -16dB Min 10~30MHz, -12dB Min 30~60MHz, -10dB Min 60~80MHz.
 - Cross talk: -40dB Min 1~30MHz, -35dB Min 30~60MHz, -30dB Min 60~100MHz.
 - CMR: -30dB Min 1~100MHz.
 - Hi-Pot: 1500V AC & 2250V DC 6S 1mA PRI TO SEC.

LED Specification

Standard LED Color	LED Wavelength	Foward(A)	Foward(V)
Green	568nm	20mA	1.85-2.45V
Yellow	585nm	20mA	1.7-2.2V



MATERIAL:

- HOUSING :PBT,UL94V-0,BLACK.
- TERMINALS BRACKET:PBT,UL94V-0,BLACK.
- SHIELD:C2680,T=0.20MM,NICKEL PLATING ON ALL AREA.
- TERMINAL:PHOSPHOR BRONZE C5210,T=0.35MM, GOLD PLATING ON CONTACT AREA.

MECHANICAL:

- DURABILITY :750 CYCLES MIN.
- MATING FORCE :23N MAX.
- OPERATING TEMPERATURE:-40°C~+85°C.
- STORAGE TEMPERATURE:-40°C~+85°C.
- ALL CRITICAL DIMENSIONS WITH "**"

广东星坤科技股份有限公司
日期
文件工程章

REVISIONS	DATE	REVISED	APPROVED	UNSPECIFIED TOLERANCES
ΔX				ANGLAR ±5°
ΔX				L ≤ 4 ±0.2
ΔX				4 < L ≤ 16 ±0.3
MARK				16 < L ≤ 63 ±0.4
				L > 63 ±0.5

DSND	DATE	SCALE: N/A	MODEL TYPE: RJ JACK
DWN	DATE	VIEW:	PART NO.:
CHKD	DATE	UNIT: mm/in	DWG NO.:
APPD	DATE	SIZE: A4	X01AB002BA2AD
XKB INDUSTRIAL PRECISION CO., LIMITED			WEIGHT 1.0g
			SHEET 1/1
			REVISIO A0