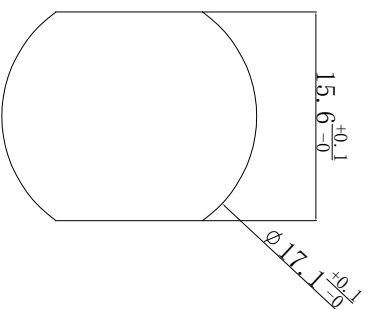
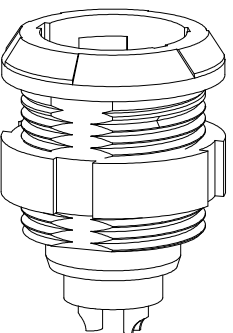
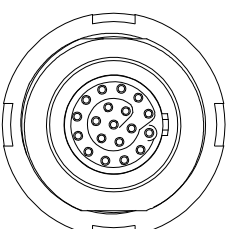
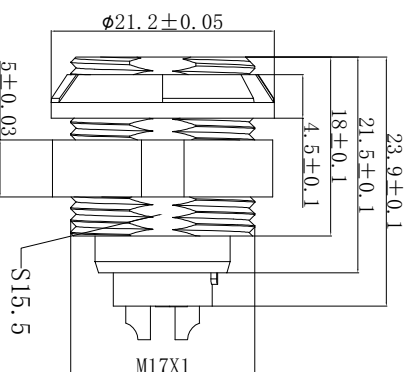
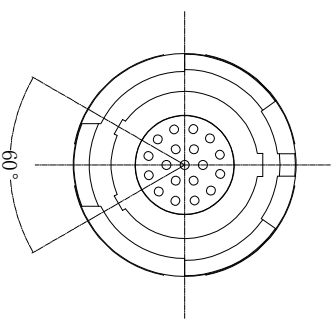


1. FIGURE AND DIMENSIONS (视图及尺寸)



Main technical indicators (主要技术指标)	
1. Mating (插拔次数)	5000
2. Working Temperature (温度)	-55~+150°
3. IP Rating (防护级别)	IP 50
4. Diameter of socket end(插座端直径)	∅ 0.7
5. Rated voltage (额定电压)	1200V
6. Rated Current (额定电流)	5A
7. Shell material (壳体材质)	PC
8. Pin Material (插针材料)	Copper alloy gold plating(铜合金镀金)
9. Insulation resistance (绝缘电阻)	>100MΩ
10. Insulator material (绝缘体材料)	L: PPS, P: PEKK
11. Salt spray test (盐雾测试)	> 72H

Sum up (总结)	
Series (系列)	MI9
Shell style/model (外壳样式/型号)	LPAG: Straight plug, cable collet and nut for fitting a bend relief直塞、电缆夹头和螺母, 用于安装弯曲凸起
Button (按键)	3 button(3个按键)
Termination type (终止类型)	Male solder(公焊锡)
Line diameter awg(线材直径)	30AWG-22AWG
Matching parts(配件)	LPAB, MI. 19, GLAG92H
14. Nut color (螺帽颜色)	G=灰色/J=黄色/A=蓝色/N=黑色/R=红色/V=绿色/B=白色

版本		TITLE	
REVA4			
REVA3			
REVA2			
REVA1		PART NO.	
DRAW		DATE	
CHECK		DATE	
APPR'D		DATE	

DRAWING NO.		USE	
LCAB. M1. 19. GLAG			
UNIT	mm		
SCALE	Free		
SHEET	10F N		

DRAWING NO.	REV.	
LCAB. M1. 19. GLAG	A0	
UNIT	mm	
SCALE	Free	
SHEET	10F N	
<p>KKB INDUSTRIAL PRECISION CO., LIMITED</p>		