

MAPX	MODIFICATION	DATE
------	--------------	------

规格说明: Specifications:

电气特性: Electrical:

1. 额定电流: Current Rating
2. 额定电压: Voltage Rating
30V DC
3. 接触阻抗: Contact Resistance
30 milliohms MAX
4. 耐电压: Dielectric Withstanding Voltage:
500 V AC AT Sea Level
5. 绝缘阻抗: Insulation Resistance:
1000MEGA ohms MIN

物理性能: Mechanical:

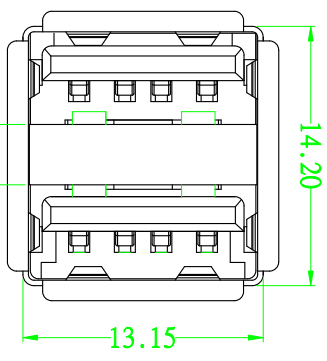
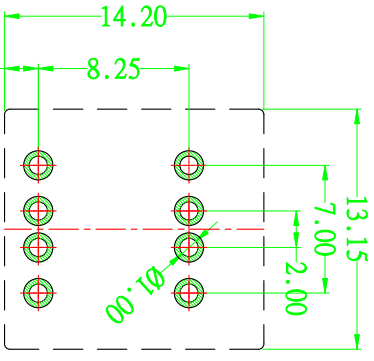
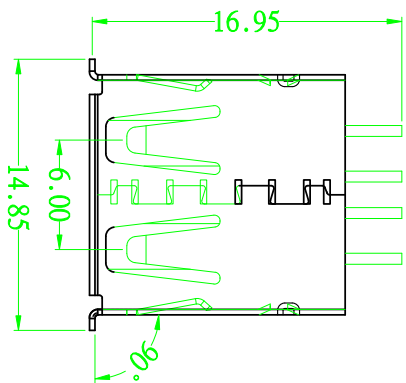
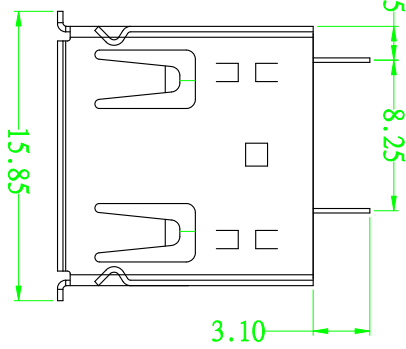
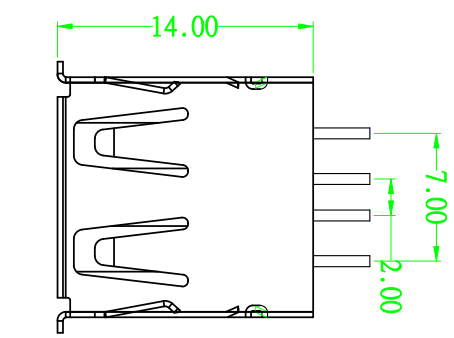
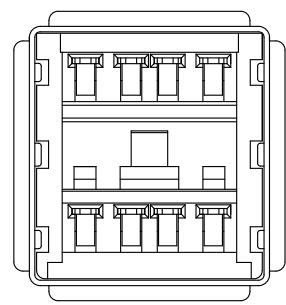
1. 插拔力: Connector Mate and Unmate Force
Mate force: 3.57kgf (MAX)
Unmate force: 1.02kgf (MIN)
2. 端子保持力: Terminal Retention
1. 2kgf (MIN)

原材料: Material:

1. 塑胶: Housing:
Hing Temperature Ternmaplastics,
2. 外壳: Shell: SPCC
Nickel Plating
2. 端子: Contact: Copper Alloy C2680

电镀: Finish:

1. 端子: Contact: Plated Gold in Mating Area;
Tin On Solder Tails



深圳市精拓金电子有限公司

公差一览表		单位		制图		制图料号	
TOLERANCE UNLESS OTHERWISE		UNITS		DRAWING		PRODUCT PART NO.	
X	±0.30	X	±5.°	YANG	907-371A1015W10202		
.X	±0.25	.X	±2.°	郭志富	产品名称	AF180度1.2MM双层无脚有边铁壳白胶	
.XX	±0.15	.XX	±1.°	黄国荣	角法	VER	
.XXX	±0.10	.XXX	±0.5°		日期	版本	
					2019.11.23	AO	

P.C.B LAYOUT