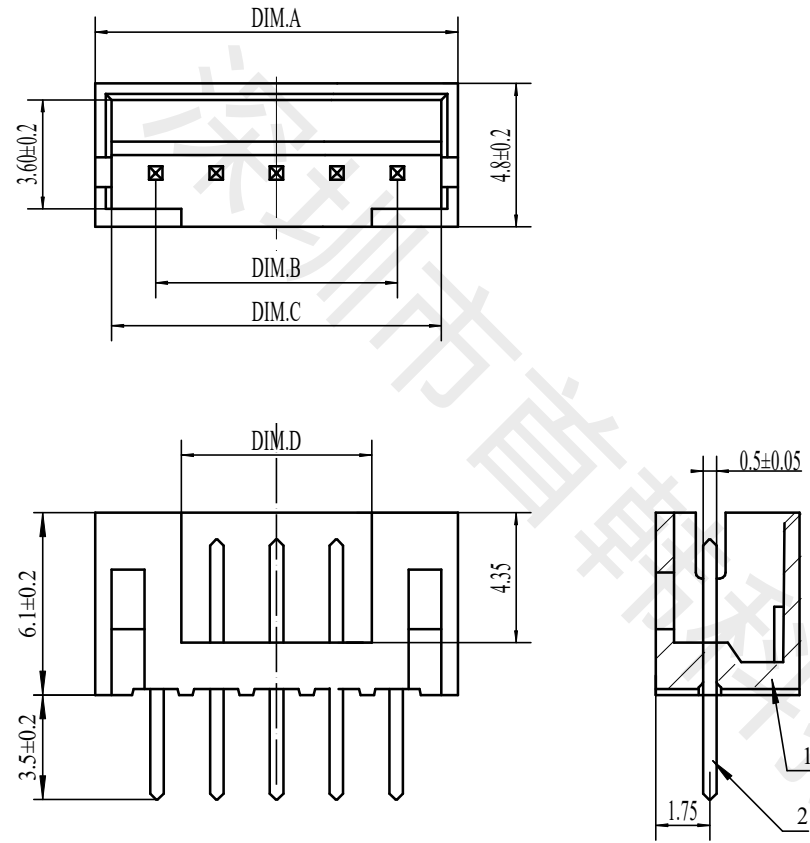
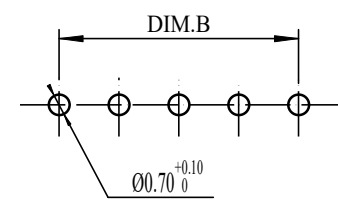


| REV. | EC# | DESCRIPTION | DATE | DRAWN | CHECK | APPROVED |
|------|-----|-------------|-----------|-------|-------|----------|
| 1.00 | | 初版发行 | 2020-8-28 | | | |



| NUMBER OF PINS | DIM.A | DIM.B | DIM.C | DIM.D |
|----------------|-------|-------|-------|-------|
| 16P | 34.0 | 30.0 | 32.9 | 28.8 |
| 15P | 32.0 | 28.0 | 30.9 | 26.8 |
| 14P | 30.0 | 26.0 | 28.9 | 24.8 |
| 13P | 28.0 | 24.0 | 26.9 | 22.8 |
| 12P | 26.0 | 22.0 | 24.9 | 20.8 |
| 11P | 24.0 | 20.0 | 22.9 | 18.8 |
| 10P | 22.0 | 18.0 | 20.9 | 16.8 |
| 9P | 20.0 | 16.0 | 18.9 | 14.8 |
| 8P | 18.0 | 14.0 | 16.9 | 12.8 |
| 7P | 16.0 | 12.0 | 14.9 | 10.8 |
| 6P | 14.0 | 10.0 | 12.9 | 8.8 |
| 5P | 12.0 | 8.0 | 10.9 | 6.8 |
| 4P | 10.0 | 6.0 | 8.9 | 4.8 |
| 3P | 8.0 | 4.0 | 6.9 | 2.8 |
| 2P | 6.0 | 2.0 | 4.9 | 0.8 |



PCB LAYOUT

| GENERAL TOLERANCES | | | |
|--------------------|-------|--------|--------|
| DIM | TOL | DIM | DEG |
| X | | X° | ±3.00° |
| X.X | ±0.35 | X.X° | ±2.00° |
| X.XX | ±0.25 | X.XX° | ±1.00° |
| X.XXX | ±0.15 | X.XXX° | |

技术要求:

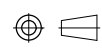
- 1) 材质:见附表;
- 2) 电镀:见附表;
- 3) 塑件表面平整、光洁、无毛刺、气泡、烧焦、变形、浇口无拉伤、多料或缺料等不良现象;
- 4) 端子表面无氧化、电镀不良等现象。

适应基板厚度: 1.2mm~1.6mm
 温度范围: -25°C~85°C
 额定电压: 250V AC/DC
 额定电流: 2A
 绝缘电阻: ≥1000MΩ
 耐压: 800V AC/minute

| 2 | PIN | n PCS | 材质:黄铜,电镀:镀亮锡60u*MIN |
|-----|---------|-------|------------------------|
| 1 | Housing | 1 PCS | 材质:PA66(UL94V-0),颜色:红色 |
| NO. | NAME | Q'TY | DESCRIPTION |

首韩 深圳市首韩科技有限公司

| | | | | | | |
|----------|-----|-----------|------------------|-------------|------------|-------------|
| DRAW : | 李春风 | 2020-8-28 | TITLE: | 插件针座 | DRAW NAME: | 2.0-6P ZZ-R |
| DESIGN: | | | SERIES: | 1501 SERIES | DRAW NO. | |
| CHECK: | 钟华华 | 2020-8-28 | P/N: | | UNIT: | SHEET: |
| APPROVED | 罗孝金 | 2020-8-28 | CUSTOMER DRAWING | REV. 1.00 | SCALE | N/A |
| | | | | | mm | 1/1 |





深圳市首韩科技有限公司

SHENZHEN SHOUHAN TECHNOLOGY CO.,LTD

Tel: 0755-27597601 Fax: 0755-27597491

承 认 书
SPECIFICATION FOR APPROVAL

客 户 Customer:

产品名称 Project:

针座


规格型号 Part No:

2.0-6P ZZ-R

贵公司承认印 Approval signatures

| 料 号/Part No. | 签 章/Signatures |
|--------------|----------------|
| | |

日期 Date:

| | | |
|-------------|-----|--|
| 拟制/Drawn | 李春风 |  |
| 审核/Check | 钟华华 | |
| 批准/Approved | 罗孝金 | |

1、SCOPE: (适用范围)

1.1 This specification covers production and inspection of Connector.

本规范内容适用于本公司普通系列型条形连接器（针座）产品的生产与检验。

2、USE CONDITION: (使用条件)

2.1 Ambient temperature Range:-25℃~+85℃

环境温度：-25℃~+85℃

2.2 Applicable PC board thickness:1.2~1.6mm

适用 PC 板厚度：1.2~1.6 mm

3、Appearance and Dimension: (外观及尺寸)

3.1 Appearance:Product surface without defect、dirt、crack、and mechanical damang, Contact without rust,plating not oxided and not peeled.

产品表面不应有对制品有害的缺陷、污垢、裂痕及机械损伤；接触件无锈蚀、镀层氧化、脱落等现象。

3.2 Dimension:According to drawings

外形尺寸：依照附图

3.3 Exchangable:Exchangable with same specification products.

互换性：相同规格应能互换

4、Material: (以图纸为准)

材 料

| P/N 零件名称 | Type 类 型 | Material 材 料 | Finish 表面处理 | Expiain 说 明 |
|-------------------------------|--------------------|----------------------------------|--|--------------------|
| Terminal 端子 | Contact 插 簧 | Phosphor bronze 锡青磷铜 厚 0.15mm | Tin Plating:3~4 μ m 镀锡：3~4 μ m | RoHS Comp liant |
| Housing 孔 座 | Plastic 塑 壳 | Nylon66 UL94V-0 | Color:White 颜色：白色 | |
| OpeningWafer 开口针座 | Contact 插 针 | Phosphor bronze 锡青磷铜 厚 0.30mm | Tin Plating:3~4 μ m 镀锡：3~4 μ m | |
| | Plastic 塑 壳 | Nylon46 UL94V-0 | Color: Beige 颜色：米色 | |
| Lips Wafer 闭口针座 | Contact 插 针 | Phosphor bronze 锡青磷铜 厚 0.30mm | Gold Plating:3~4 μ " m 镀金：3~4 μ " m | |
| | Plastic 塑 壳 | PBT UL94V-0 | Color: White 颜色：白色 | |
| Tiepian Wafer 卧贴针座 立贴针座 | Contact 插 针 | Phosphor bronze 锡青磷铜 厚 0.30mm | Tin Plating:3~4 μ m 镀锡：3~4 μ m | |
| | Solder tabs 焊护耳 | Phosphor bronze 锡青磷铜 厚 0.25mm | Tin Plating:3~4 μ m 镀锡：3~4 μ m | |
| | Plastic 塑 壳 | Nylon46 UL94V-0 | Color: Beige 颜色：米色 | |

5、Electrical Performance:

电气性能

| NO. 序号 | Item 项目 | Requirement 技术要求 |
|--------|-------------------------------|--------------------------------|
| 5.1 | Voltage Rated 额定电压 | 250V AC DC |
| 5.2 | Current Rated 额定电流 | 2A AC DC |
| 5.3 | Contact Resistance 接触电阻 | $\leq 10 \text{ m}\Omega$ |
| 5.4 | Insulation Resistance 绝缘电阻 | $\geq 1000 \text{ M}\Omega$ |
| 5.5 | Dielectric Strength 耐压 | $\geq 800 \text{ V AC/minute}$ |

6、Mechanical Performance:

机械性能

| NO. 序号 | Item 项目 | Requirement 技术要求 |
|--------|--|------------------------------|
| 6.1 | Male contact Retention force PIN 针固定力 | $\geq 15 \text{ N}$ per pin |
| 6.2 | Female contact Retention force 端子固定力 | $\geq 15 \text{ N}$ per pin |
| 6.3 | Plug-in force 插入力 | $\leq 3 \text{ N}$ per pin |
| 6.4 | Plug-out force 拔出力 | $\geq 0.5 \text{ N}$ per pin |

7、Endurance Characteristics:

环境性能

| NO. 序号 | Item 项目 | Requirement 技术要求 |
|--------|--------------------------------------|---|
| 7.1 | Soldering rest 可焊性 | Time: $2.5 \pm 0.5 \text{ S}$ 时间: $2.5 \pm 0.5 \text{ S}$ Temperature: $260 \pm 5^\circ \text{C}$ 温度: $260 \pm 5^\circ \text{C}$ Area of Soldering: $\geq 95\%$ 焊锡面积: $\geq 95\%$ |
| 7.2 | Resistance to soldering Heat 耐焊接热 | Time: $5 \pm 1 \text{ S}$ 时间: $5 \pm 1 \text{ S}$ Temperature: $260 \pm 5^\circ \text{C}$ 温度: $260 \pm 5^\circ \text{C}$ Appearance: NO Damage 外观: 无损坏 |

| | | |
|-----|--|---|
| 7.3 | Heat test 耐热性 | Time:96h 时间: 96 小时 Temperature:+85±3℃ 温度: +85±3℃ Appearance:NO Damage 外观: 无损坏 Contact resistance: ≤20 mΩ 接触电阻: ≤20 mΩ |
| 7.4 | Cold test 耐冷性 | Time:48h 时间: 48 小时 Temperature:-25±3℃ 温度: -25±3℃ Appearance:NO Damage 外观: 无损坏 Contact resistance:≤20 mΩ 接触电阻: ≤20 mΩ |
| 7.5 | Temperature Cycling 温度循环 | Low temperature:-25±3℃ 低温: -25±3℃ High temperature:85±3℃ 高温: 85±3℃ For 5 cycles.test after keeping in Normal Condition for 30 min. 5 次循环后, 放置在正常环境中 30 分钟, 在进行测试 Appearance: NO Damage 外观: 无损坏 Contact resistance: ≤20 mΩ 接触电阻: ≤20mΩ |
| 7.6 | Invariab lenes humidity 恒定湿热 | Temperature:60±2℃ 温度: 60±2℃ Relative humidity:90%-96% RH 相对湿度: 90%-96% RH Tim:96h 时间: 96 小时 Appearance:NO Damage 外观: 无损坏 Contact resistance: ≤20 mΩ 接触电阻: ≤20 mΩ Insulation Resistance: ≥100MΩ 绝缘电阻: ≥100 MΩ |
| 7.7 | Salt Spray 盐雾试验 | Salt concentration: 5±1% 浓度: 5±1% Temperature:35±2℃ 温度: 35±2℃ Tim:16±2h 时间: 16±2 小时 After salt is removed by running wafer and A drop is removed ,it is measured. 把试验样品从试验箱顶悬挂下来, 采用浓度 (5±1) %的氯化钠溶液, 连续雾化 16 小时, 试验后用流动的蒸馏水 轻轻洗去表面沉积物, 在常温常驻湿条件下恢复 1-2 小时, 外观无损伤 Appearance:NO Damage 外观: 无损坏 Contact resistance: ≤20 mΩ 接触电阻: ≤20 mΩ |