

### GT-TC116X-HXXX-LX

**G-SWITCH**

**Operating Force**

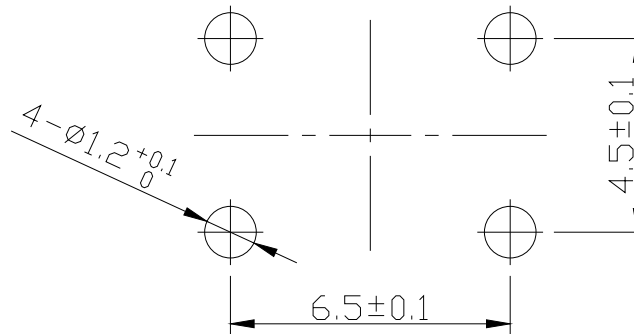
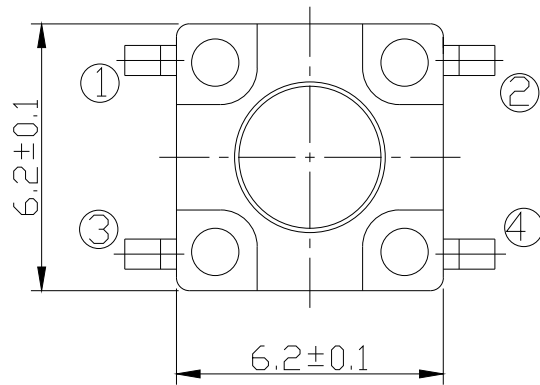
- A=160gf
- B=250gf
- C=100gf
- D=70gf
- E=130gf
- F=320gf
- G=400gf

**Switch lifetime (Force)**

- L05=50,000 Cycles
- L1=100,000 Cycles
- L3=300,000 Cycles
- L5=500,000 Cycles

**Switch Height (mm)**

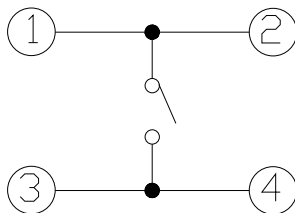
- H043=4.3 H050=5.0
- H055=5.5 H060=6.0
- H065=6.5 H070=7.0
- H080=8.0 H085=8.5
- H090=9.0 H095=9.5



### P.C.B LAND DIMENSION

**G-Switch Specification:**

Operating temperature range -30 to +85  
 Rating 50mA.12V DC  
 Insulation resistance: 100MΩ min.100V DC  
 Dielectric strength 250V AC for 1 min  
 Contact resistance: 100m Ω max.  
 Travel:0.25±0.1mm  
 WATER RESISTANCE IPX7



### CIRCUIT DIAGRAM



G-Switch Electronic (HongKong) CO.,Ltd.

Unless otherwise specified, Tolerance: X. ±0.30 X.x ±0.20 X.xx ±0.15 X.xxx ±0.10 Angles ±3°	DESIGN FengFengChen	DATE 2019.05.29	Molde code:		
	CHECKED	DATE	GT-TC116X-HXXX-LX		
	APPROVED	DATE			
	<a href="http://www.dg-switch.com">http://www.dg-switch.com</a>		REV.: X1	SCALE: 4:1	UNIT: mm
TEL:0769-82388879	SIZE: A4	SHEET: 1/1			