

GT-TC149X-HXXX-LX

G-SWITCH

Operating Force

- A=160gf
- B=250gf
- C=100gf
- D=350gf

Switch lifetime (Force)

- L05=50,000 Cycles(D)
- L1=100,000 Cycles((A, B, C))
- L3=300,000 Cycles(A, C)
- L5=500,000 Cycles(A, C)

Switch Height (mm)

- H043=4.3 H045=4.5
- H050=5.0 H055=5.5
- H060=6.0 H065=6.5
- H070=7.0 H075=7.5
- H080=8.0 H085=8.5
- H090=9.0 H095=9.5
- H100=10.0 H105=10.5
- H110=11.0 H115=11.5
- H120=12.0 H125=12.5
- H130=13.0 H135=13.5
- H140=14.0 H145=14.5
- H150=15.0 H155=15.5
- H160=16.0 H165=16.5

G-Switch Specification: H170=17.0...

Operating temperature range -30 to+85

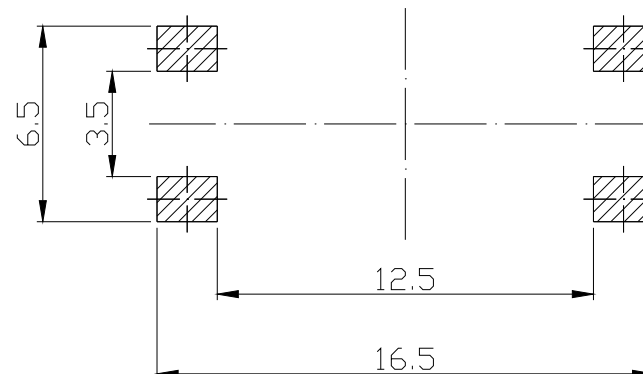
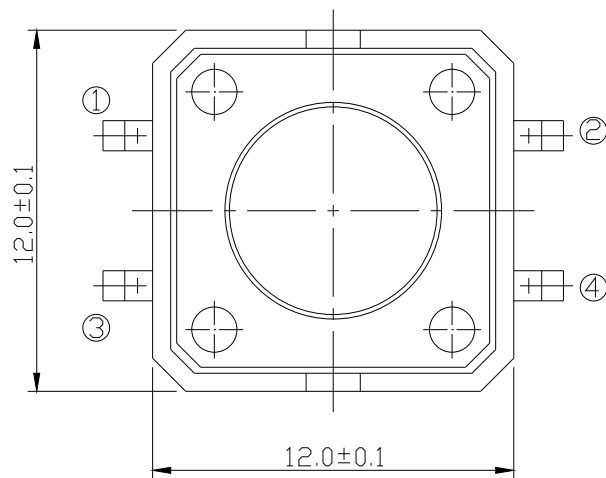
Rating 50mA.12V DC

Insulation resistance: 100MΩ min.100V DC

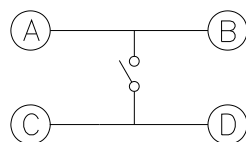
Dielectric strength 250V AC for 1 min

Contact resistance: 100m Ω max.

Travel:0.35±0.1mm



P.C.B LAND DIMENSION



电路简图
SCHEMATIC



G-Switch Electronic (HongKong) CO.,Ltd

Unless otherwise specified, Tolerance:
 X. ±0.30
 X.x ±0.20
 X.xx ±0.15
 X.xxx ±0.10
 Angles ±3°

DESIGN FengFengChen DATE 2019.05.29
 CHECKED DATE
 APPROVED DATE
<http://www.dg-switch.com>
 TEL:0769-82388879

Molde code:
GT-TC149X-HXXX-LX
 REV.: X1 SCALE: 4:1 UNIT: mm
 SIZE: A4 SHEET: 1/1