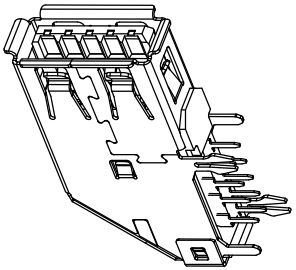
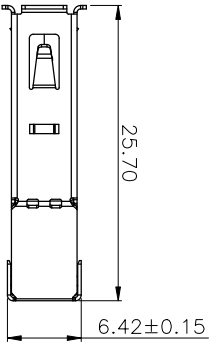
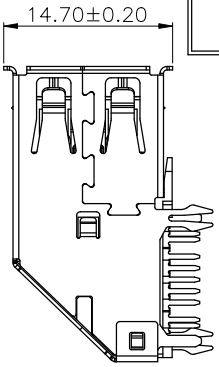
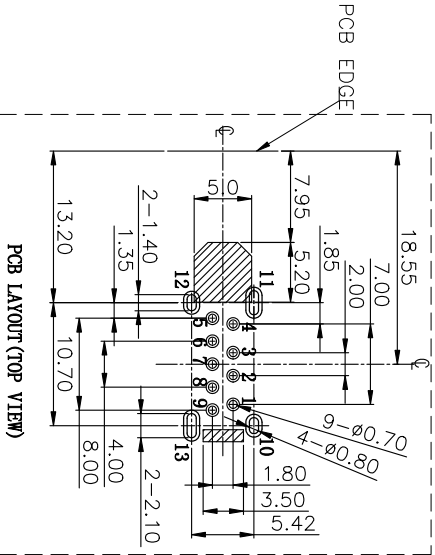
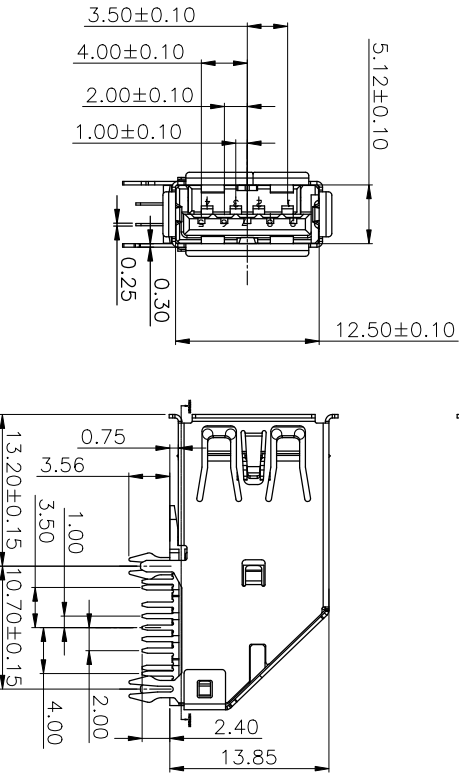


ROHS



3D VIEW



MAPX	MODIFICATION	DRW	DATE

SPECIFICATIONS:
 Contact current Rating:
 1.8 Amperes for pin1&pin4.
 0.25 Amperes other contacts
 Dielectric Withstanding Voltage:AC 100V(RMS)
 Insulation resistance:100Megohms Minimum.
 Contact Resistance:
 30mΩ Max for pin1&pin4
 50mΩ Max for other contacts
Mechanical Characteristics:
 Mating Force:35 Newtons.Maximum
 Unmating Force:10 Newtons.Minimum.
 8N Min After Durability

MATERIAL:

Housing: PBT
 Contact: copper alloy (T=0.25mm)
 Shell: SUS

PLATING:

Contact: Au Plated on contact area
 Tin Plated on solder area
 Nickel underplating over all
 Shell: Nickel Plated
 operating Temperature:-55*to+85*

PIN NO.	PIN 1	PIN 2	PIN 3	PIN 4
SIGNAL NAME	V BUS	D-	D+	GND
REMARK	USB 2.0 CONTACT PINS			

PIN NO.	PIN 5	PIN 6	PIN 7	PIN 8	PIN 9
SIGNAL NAME	STDA_SSRX-	STDA_SSRX+	GND_DRAIN	STDA_SSTX-	STDA_SSTX+
REMARK	USB 3.0 CONTACT PINS				

产品图

公差一览表
 TOLERANCE UNLESS OTHERWISE

X.	±0.35	X.	±5.°
.X	±0.25	.X	±2.°
.XX	±0.20	.XX	±1.°
.XXX	±0.05	.XXX	±0.5°

深圳市精拓金电子有限公司
 Shenzhen Jing Tuo Jin Electronics Co., Ltd.

单位	MM	制图	L-S-S	制图料号	906-956A105CD10200
比例	1:1	审核	郭始富	产品名称	AF3.0侧插长体有边不锈钢PBT塑胶
日期	2021-03-10	核准	黄国荣	角法	
DATE		APD		版本	A0