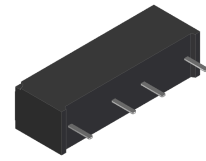


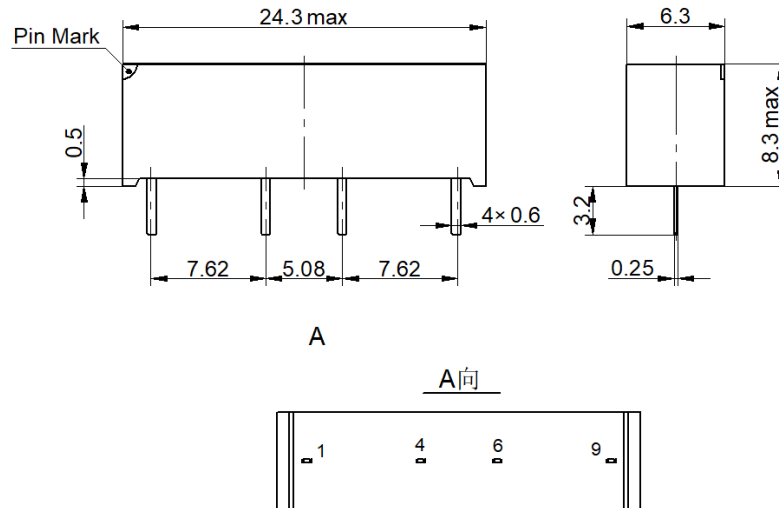
SIP-HV1A24

- High Voltage Reed Relay
- Low Contact Resistance
- Breakdown up to 4KV
- Excellent Lifetime Characteristics
- Custom Design Available



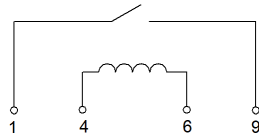
[Outline Dimension]

Unit: mm Scale: 1/1



[Pin Layout]

[Wiring diagram]



Order Information

SIP-HV1A24

Coil Parameters		Relay Parameters	
1 Nominal coil voltage	24 VDC	1 Min Breakdown Voltage	4K VDC
2 Max Operating voltage	50 VDC	2 Dielectric Strength coil/contact	4K VDC
3 Max Pull-in voltage	17 VDC	3 Insulation Resistance coil/contact	1.00E+12ohm
4 Min Drop-out voltage	2.4 VDC	4 Operate Time, incl. Bounce	1.0ms
5 Coil Resistance	2000 ohm	5 Reset Time	0.25ms
Contact Parameters		6 Capacitance Across Contacts	1.0pF
1 Contact Form	1 Form A	7 Storage Temperature	-40~+105°C
2 Max Contact Rating	100 W	8 Operating Temperature	-40~+85°C
3 Max Switch Voltage	1KV ACpeak/DC	9 Soldering Temperature	5 sec. max 260°C
4 Max Switch Current	1.0 A		
5 Max Carrying Current	2.5 A		
6 Min Breakdown Voltage	4K VDC		
7 Max Contact Resistance	150 mohm		

Version: 02

Designed by

Checked by

Approved by

Date

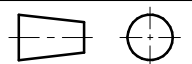
18th, Jul, 2024

TITLE

High Voltage Reed Relay

P/N

SIP-HV1A24



Scale: 1:1

Page: 1/1