

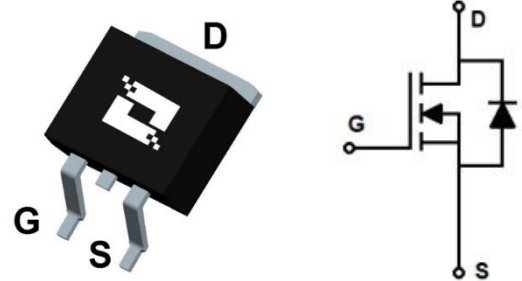
**Features**

- N-Channel, *Low  $R_{DS(on)}$  @  $V_{GS}=10V$*
- *10V Logic Level Control*
- *100% UIS Tested*
- *Green Device Available*

$V_{(BR)DSS}$	$R_{DS(ON)}$ Typ	$I_D$ Max
200V	8.3m $\Omega$ @ 10V	110A

**Applications**

- Quick Charger
- Load Switch
- LED backlighting
- Telecom
- Industrial power supplies


**Order Information**
**TO-263**

Product	Package	Marking	Packing
DWY9R820H	TO-263	9R820H	800PCS/Reel

**Absolute Maximum Ratings**

Stresses exceeding Maximum Ratings may damage the device. Maximum Ratings are stress ratings only. Functional operation above the Recommended Operating Conditions is not implied. Extended exposure to stresses above the Recommended Operating Conditions may affect device reliability.

Symbol	Parameter	Rating	Unit
<b>Common Ratings (<math>T_j=25^\circ\text{C}</math> Unless Otherwise Noted)</b>			
$V_{GS}$	Gate-Source Voltage	$\pm 20$	V
$V_{(BR)DSS}$	Drain-Source Breakdown Voltage	200	V
$T_{J, STG}$	Junction and Storage Temperature Range	-50 to 150	$^\circ\text{C}$
<b>Mounted on Large Heat Sink</b>			
$I_{DM}$	Pulse Drain Current Tested <sup>①</sup>	$T_C=25^\circ\text{C}$	350 A
$I_S$	Diode continuous forward current	$T_C=25^\circ\text{C}$	110 A
$I_D$	Continuous Drain Current	$T_C=25^\circ\text{C}$	110 A
		$T_C=70^\circ\text{C}$	88 A
$P_D$	Maximum Power Dissipation	$T_C=25^\circ\text{C}$	750 W
EAS	Avalanche energy, single pulsed <sup>②</sup>		1135.35 mJ
$R_{\theta JC}$	Thermal Resistance-Junction to Case		0.188 $^\circ\text{C/W}$

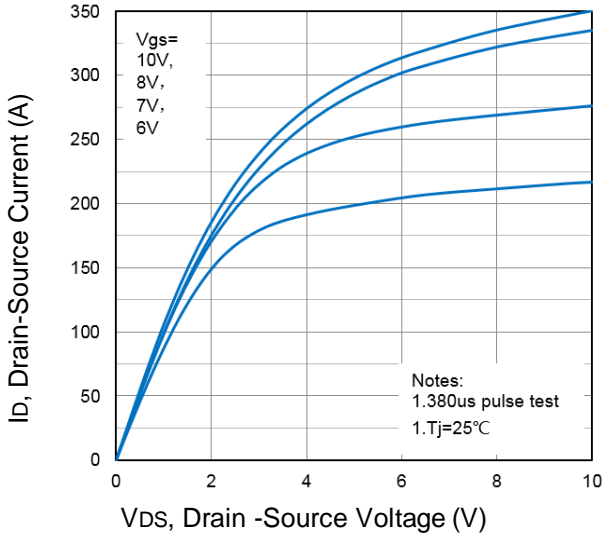
Symbol	Parameter	Condition	Min	Typ	Max	Unit
<b>Static Electrical Characteristics @ T<sub>J</sub> = 25°C (unless otherwise stated)</b>						
V <sub>(BR)DSS</sub>	Drain-Source Breakdown Voltage	V <sub>GS</sub> =0V I <sub>D</sub> =250μA	200	–	–	V
I <sub>DSS</sub>	Zero Gate Voltage Drain Current(T <sub>C</sub> =25°C)	V <sub>DS</sub> =200V, V <sub>GS</sub> =0V	–	–	1	μA
	Zero Gate Voltage Drain Current(T <sub>C</sub> =125°C)	V <sub>DS</sub> =160V, V <sub>GS</sub> =0V	–	–	100	μA
I <sub>GSS</sub>	Gate-Body Leakage Current	V <sub>GS</sub> =+20V, V <sub>DS</sub> =0V	–	–	±100	nA
V <sub>GS(TH)</sub>	Gate Threshold Voltage	V <sub>DS</sub> =V <sub>GS</sub> , I <sub>D</sub> =250μA	2.0	3.0	4.0	V
R <sub>DS(ON)</sub>	Drain-Source On-State Resistance <sup>③</sup>	V <sub>GS</sub> =10V, I <sub>D</sub> =30A	–	8.3	10	mΩ
<b>Dynamic Electrical Characteristics @ T<sub>J</sub> = 25°C (unless otherwise stated)</b>						
C <sub>iss</sub>	Input Capacitance	V <sub>DS</sub> =100V, V <sub>GS</sub> =0V f=1MHz	–	5014	–	pF
C <sub>oss</sub>	Output Capacitance		–	5416	–	pF
C <sub>rss</sub>	Reverse Transfer Capacitance		–	12	–	pF
R <sub>g</sub>	Gate Resistance	f=1MHz		3.5		Ω
Q <sub>g</sub>	Total Gate Charge	V <sub>DS</sub> =10V I <sub>D</sub> =50, V <sub>GS</sub> =10V	–	76.9	–	nC
Q <sub>gs</sub>	Gate Source Charge		–	25.7	–	nC
Q <sub>gd</sub>	Gate Drain Charge		–	19.1	–	nC
<b>Switching Characteristics @ T<sub>J</sub> = 25°C (unless otherwise stated)</b>						
t <sub>d(on)</sub>	Turn on Delay Time	V <sub>DD</sub> =10V, I <sub>D</sub> =1A, R <sub>G</sub> =6Ω, V <sub>GS</sub> =10V	–	22	–	ns
t <sub>r</sub>	Turn on Rise Time		–	25	–	ns
t <sub>d(off)</sub>	Turn Off Delay Time		–	35	–	ns
t <sub>f</sub>	Turn Off Fall Time		–	18	–	ns
<b>Source Drain Diode Characteristics @ T<sub>J</sub> = 25°C (unless otherwise stated)</b>						
V <sub>SD</sub>	Forward on voltage <sup>③</sup>	I <sub>SD</sub> =20A, V <sub>GS</sub> =0V	–	–	1.2	V

Notes: ① Pulse width limited by maximum allowable junction temperature

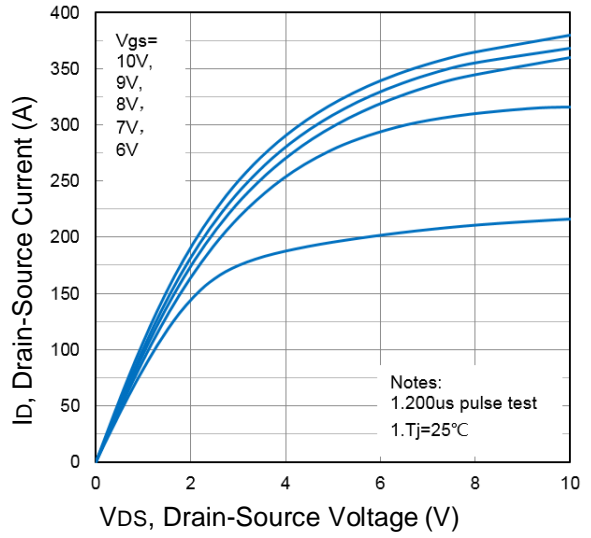
② Limited by T<sub>Jmax</sub>, starting T<sub>J</sub> = 25°C, L = 0.3mH, R<sub>G</sub> = 25Ω, I<sub>AS</sub> = 87A, V<sub>GS</sub> = 10V. Part not recommended for use above this value

③ Pulse width ≤ 300μs; duty cycle ≤ 2%.

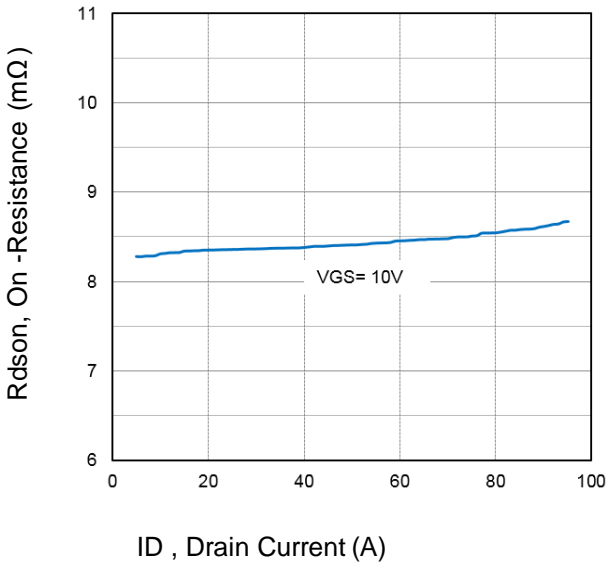
**Typical Characteristics**



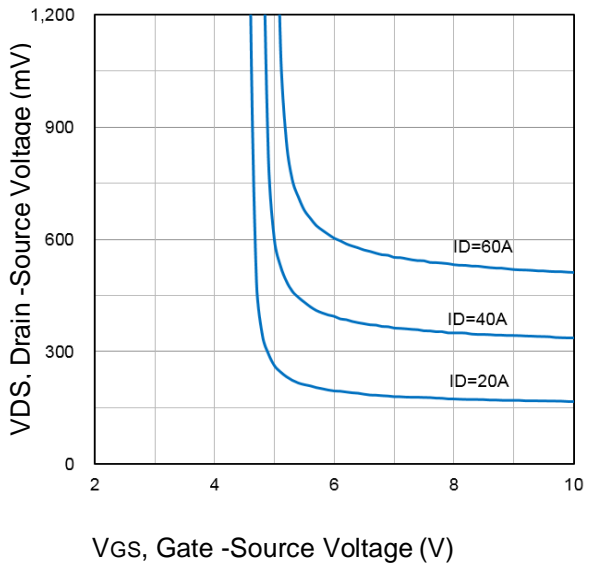
**Fig1.** Typical Output Characteristics



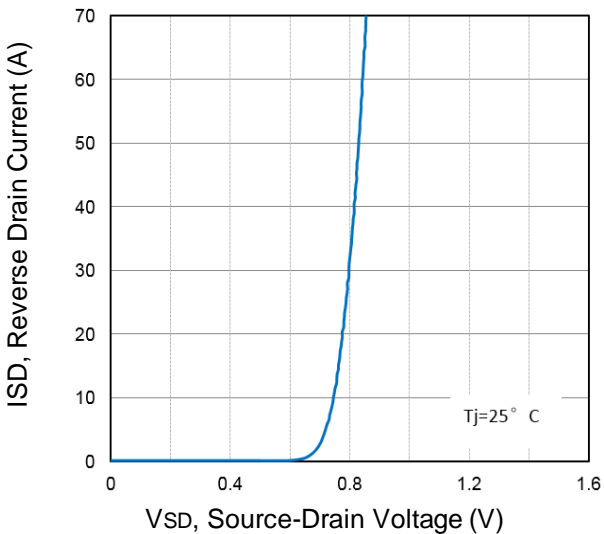
**Fig2.** Typical Output Characteristics



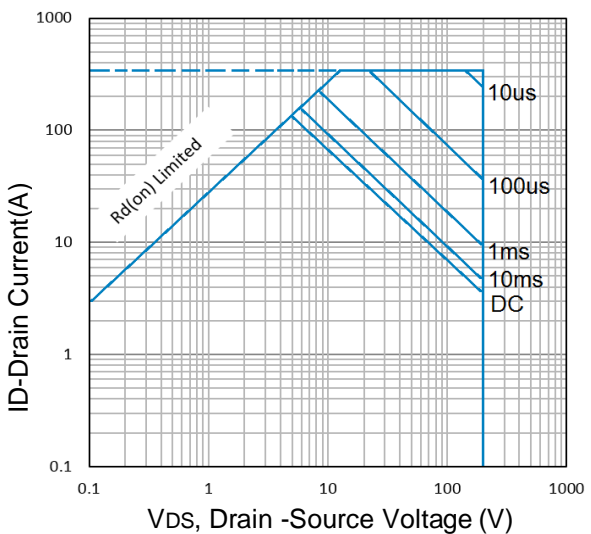
**Fig3.** On-Resistance vs. Drain Current



**Fig4.** Drain-Source Voltage vs Gate-Source Voltage

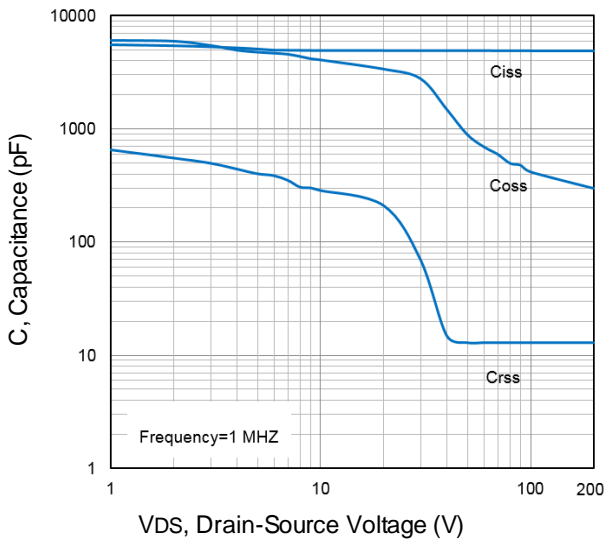


**Fig5.** Typical Source-Drain Diode Forward Voltage

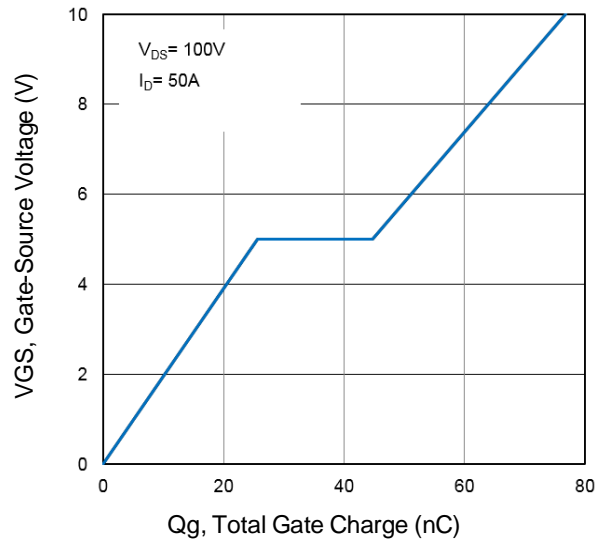


**Fig6.** Maximum Safe Operating Area

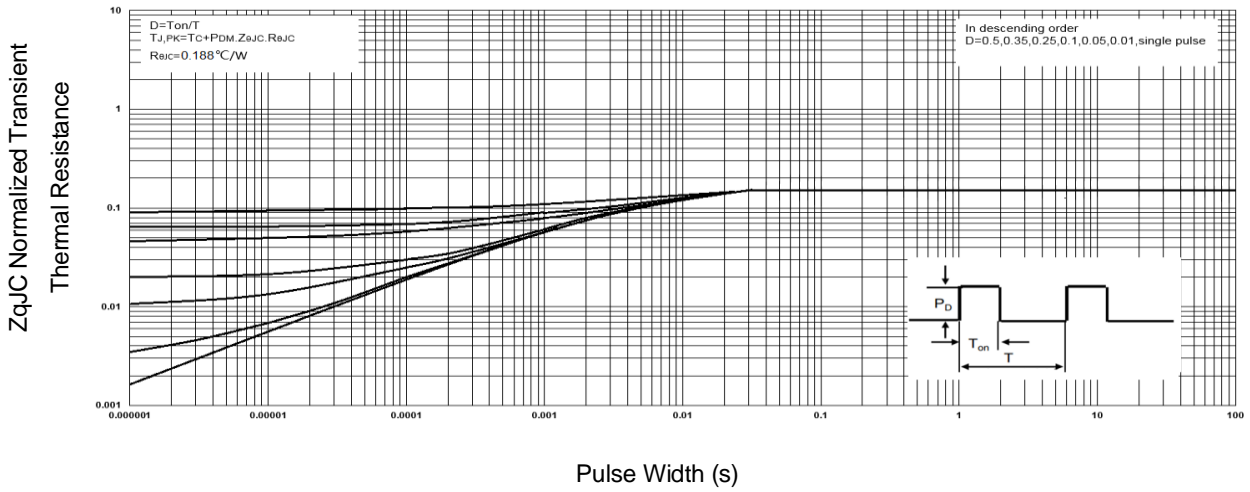
**Typical Characteristics**



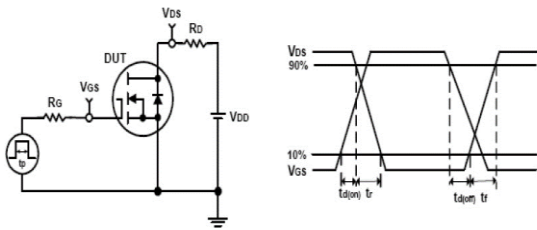
**Fig7.** Typical Capacitance Vs. Drain-Source Voltage



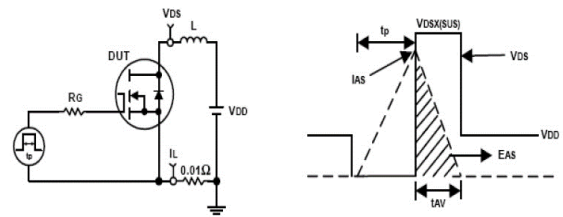
**Fig8.** Typical Gate Charge Vs. Gate-Source Voltage



**Fig9.** Normalized Maximum Transient Thermal Impedance

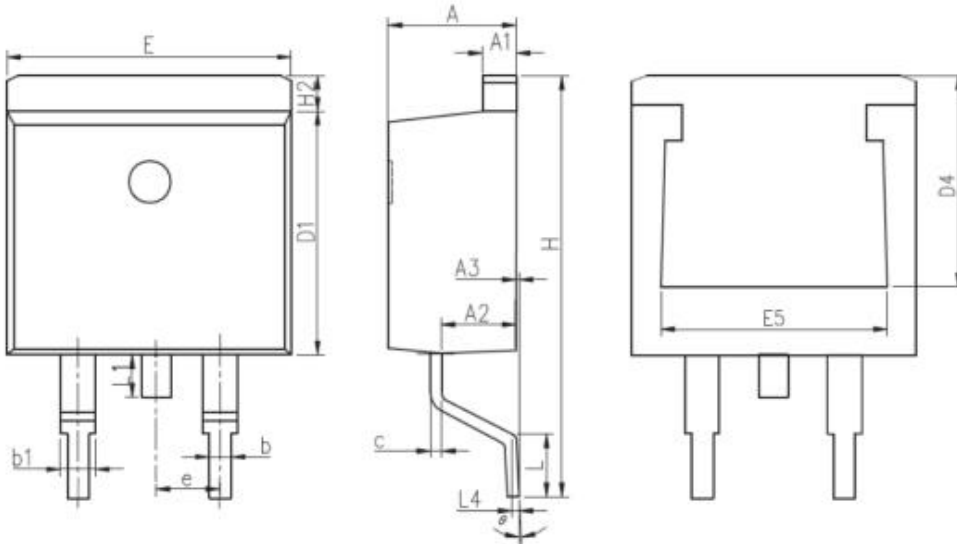


**Fig10.** Switching Time Test Circuit and waveforms



**Fig11.** Unclamped Inductive Test Circuit and waveform

**TO-263 Mechanical Data**



**DIMENSIONS** ( unit : mm )

Symbol	Min	Typ	Max	Symbol	Min	Typ	Max
A	4.37	4.57	4.77	A1	1.22	1.27	1.42
A2	2.49	2.69	2.89	A3	0	0.13	0.25
b	0.70	0.81	0.96	b1	1.17	1.27	1.47
c	0.3	0.38	0.53	D1	8.5	8.7	8.9
D4	6.6	--	--	E	9.86	10.16	10.36
E5	7.06	--	--	e	--	2.54	--
H	14.7	15.1	15.5	H2	1.07	1.27	1.47
L	2	2.3	2.6	L1	1.4	1.55	1.7
L4	--	0.25	--	θ	2.20	2.50	2.60

**Legal Disclaimer**

The Dowell Technology given in this document shall in no event be regarded as a guarantee of conditions or characteristics. With respect to any examples or hints given herein, any typical values stated herein and/or any information regarding the application of the device, Dowell Technology hereby disclaims any and all warranties and liabilities of any kind, including without limitation, warranties of non-infringement of intellectual property rights of any third party.

**Information**

For further information on technology, delivery terms and conditions and prices, please contact the nearest Dowell Technology Office ([www.dowellsemi.com](http://www.dowellsemi.com)).

**Warnings**

Due to technical requirements, components may contain dangerous substances. For information on the types in question, please contact the nearest Dowell Technology Office. Dowell Technology components may be used in life-support devices or systems only with the express written approval of Dowell Technology, if a failure of such components can reasonably be expected to cause the failure of that life-support device or system or to affect the safety or effectiveness of that device or system. Life support devices or systems are intended to be implanted in the human body or to support and/or maintain and sustain and/or protect human life. If they fail, it is reasonable to assume that the health of the user or other persons may be endangered.