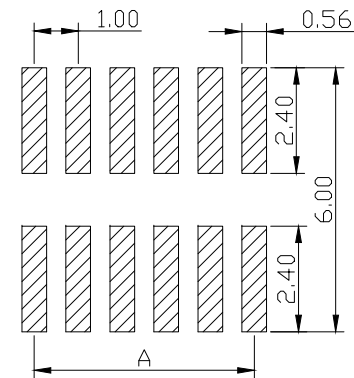
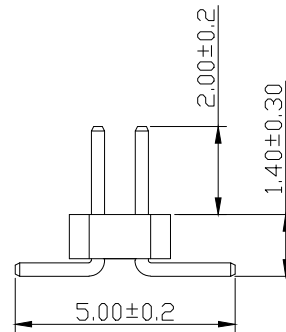
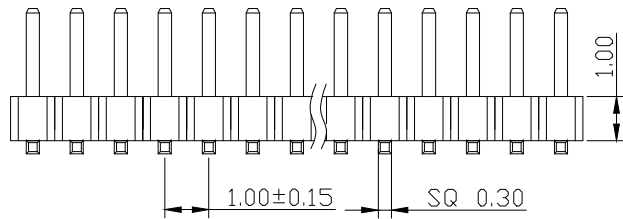


### SPECIFICATIONS

Current Rating: 0.75 Amps  
 Withstanding Voltage: AC 500V  
 Insulation Resistance: 1000MΩ Min  
 Contact Resistance: 20mΩ Max  
 Operation Temperature: -40° to +105°  
 Insulator Material: Polyester (UL94V-0)  
 Contact Material: Brass  
 Standard: PA6T  
 Contact Plating: Gold Flash  
 Max. Processing Temp: 240° C for 30-60 seconds  
 (260° C for 5 seconds)



**RECOMMEND P. C. B LAYOUT**  
 PCB TOLERANCE: ±0.05 (TOP VIEW)



兆星精密电子 (深圳) 有限公司

| No. of | DIM. A | DIM. B | No. of | DIM. A | DIM. B | No. of | DIM. A | DIM. B | No. of | DIM. A | DIM. B |
|--------|--------|--------|--------|--------|--------|--------|--------|--------|--------|--------|--------|
| 1      | 0.00   | 1.00   | 11     | 10.00  | 11.00  | 21     | 20.00  | 21.00  | 31     | 30.00  | 31.00  |
| 2      | 1.00   | 2.00   | 12     | 11.00  | 12.00  | 22     | 21.00  | 22.00  | 32     | 31.00  | 32.00  |
| 3      | 2.00   | 3.00   | 13     | 12.00  | 13.00  | 23     | 22.00  | 23.00  | 33     | 32.00  | 33.00  |
| 4      | 3.00   | 4.00   | 14     | 13.00  | 14.00  | 24     | 23.00  | 24.00  | 34     | 33.00  | 34.00  |
| 5      | 4.00   | 5.00   | 15     | 14.00  | 15.00  | 25     | 24.00  | 25.00  | 35     | 34.00  | 35.00  |
| 6      | 5.00   | 6.00   | 16     | 15.00  | 16.00  | 26     | 25.00  | 26.00  | 36     | 35.00  | 36.00  |
| 7      | 6.00   | 7.00   | 17     | 16.00  | 17.00  | 27     | 26.00  | 27.00  | 37     | 36.00  | 37.00  |
| 8      | 7.00   | 8.00   | 18     | 17.00  | 18.00  | 28     | 27.00  | 28.00  | 38     | 37.00  | 38.00  |
| 9      | 8.00   | 9.00   | 19     | 18.00  | 19.00  | 29     | 28.00  | 29.00  | 39     | 38.00  | 39.00  |
| 10     | 9.00   | 10.00  | 20     | 19.00  | 20.00  | 30     | 29.00  | 30.00  | 50     | 49.00  | 50.00  |

UNLESS OTHERWISE  
 SPECIFIED TOLERANCE  
 X : ±0.30 X° : ±5°  
 X.X : ±0.25 X.X° : ±1°  
 X.XX : ±0.20 X.XX° : ±0.5°

DRAWING NAME  
 1.0PH H1.0 2xnPin SMT W2.3 PC5.0 PA2.0 PB1.4 L5.0 6T  
 SIZE A4 SCALE N:1 PRODUCT NO. ZX-PZ1.0-2-n\*PWZ  
 REV A UNIT mm PROJECT PAGE 1/1

CHECKED: RR  
 DATE: 2023/08/25

CHECKED:   
 DATE: / /  
 APPROVED:   
 DATE: / /