

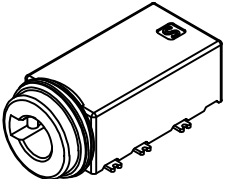
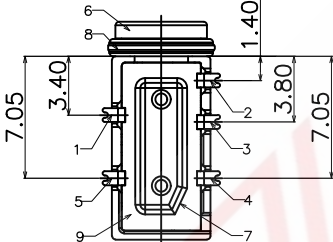
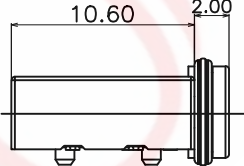
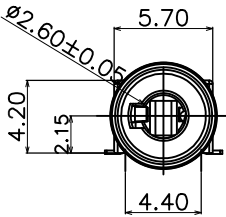
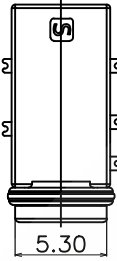
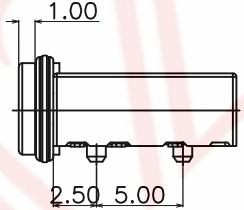
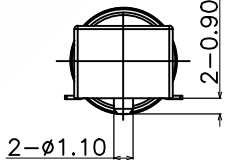
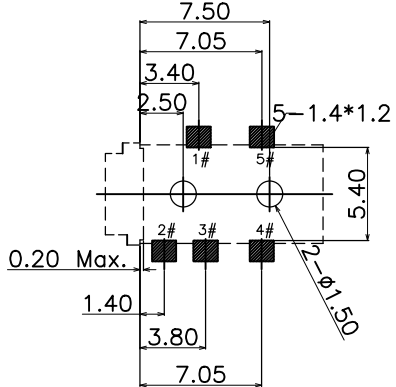
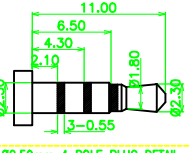
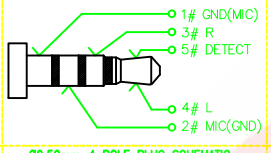
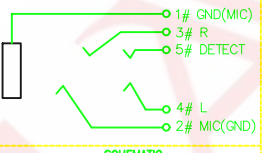
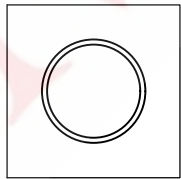
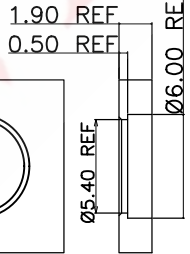
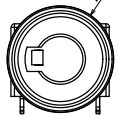
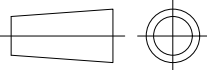


1	2	3	4	5	6	7	8																		
						<table border="1"> <tr><th>REV</th><th>ECN NO</th><th>DESCRIPTION</th><th>DESIGN</th><th>APPROVAL</th><th>DATE</th></tr> <tr><td>A1</td><td>NEW</td><td>Replace frame</td><td></td><td></td><td>2018.06.12</td></tr> </table>	REV	ECN NO	DESCRIPTION	DESIGN	APPROVAL	DATE	A1	NEW	Replace frame			2018.06.12							
REV	ECN NO	DESCRIPTION	DESIGN	APPROVAL	DATE																				
A1	NEW	Replace frame			2018.06.12																				
E	<p>NOTES</p> <ol style="list-style-type: none"> <li>CURRENT RATING: 1A.</li> <li>CONTACT RESISTANCE: 100mΩ MAX.</li> <li>INSULATION RESISTANCE: 100MΩ MIN.</li> <li>DIELECTRIC WITHSTANDING: 500V AC MIN.</li> <li>DURABILITY: 5000 CYCLES MIN.</li> <li>CONNECTOR MATING FORCES: 3~30N.</li> <li>CONNECTOR UNMATING FORCES: 3~30NX.</li> <li>SALT SPRAY: 24HOUR</li> <li>WATERPROOF LEVEL: IP67.</li> <li>OPERATING TEMPERATURE: -25°C TO +85°C.</li> </ol> <p><b>Not to install the waterproof ring shipment</b></p>								D	C	B	A													
<p>8X W 5 126 A T A</p>				<p>MODEL DEFINITION</p> <ul style="list-style-type: none"> <li>Mould Number:01</li> <li>Fixing Method:Fixing Column</li> <li>Interface Method:Convention Extended Opening</li> <li>Overall Length:12.6mm</li> <li>Pin Position:5PIN</li> <li>Mounting Method:DIP</li> <li>Product Series: 2.5mm Audio Jack</li> </ul>											<p>INSTALL WATERPROOF RING (UNCOMPRESSED)</p>	<p>RECOMMEND PCB LAYOUT TOLERANCE: ±0.05</p>	A	A	A						
ITEM	DESCRIPTION	MATERIAL	QTY	FINISH/COLOR					FIRST VIEW	<p>The copyright belongs to samzo parts [China] Co., Ltd. please use the material after samzo parts agree to authorize. The final right of interpretation belongs to samzo parts. WWW.KKK-JP.COM</p>	TITLE::														
F	胶水	环氧树脂	1	黑色							2.5mm 5P SMT JCAK IPX7														
E	防水圈	硅胶	1	黑色	GENERAL TOLERANCE				SCALE		DWG NO: 8XW5126-P01														
D	底座	高温尼龙	1	黑色	≥0~2<	±0.15			UNIT		PART NO: 8XW51261501														
C	封盖	高温尼龙	1	黑色	DESIGN	WANGGUIFA	2018.06.12	≥2~5<	mm		MODEL NO: 8XW5126ATA														
B	引脚	不锈钢	2.3	镀镍/接触区焊位镀金	CHECKED	ZHENGUILAN	2018.06.12	≥0~2<	<p>SAMZO COMPONENTS</p> <p>Electronic switch and connector manufacturer</p>		NAME:														
A	引脚	不锈钢	1.4.5	镀镍/接触区焊位镀金	APPROVED	LILIANJIANG	2018.06.14	≥5			±0.35	WATERPROOF SOCKET													
1	2	3	4	5	6	7	8																		