

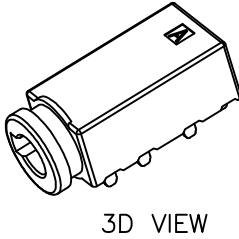
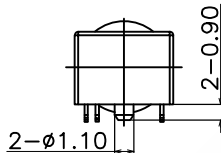
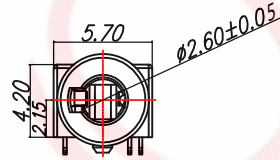
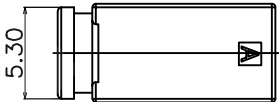
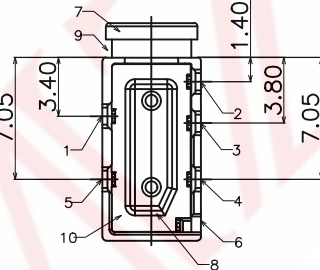
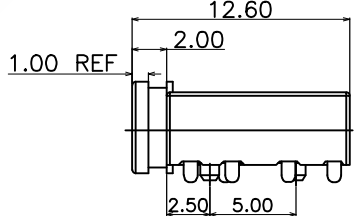

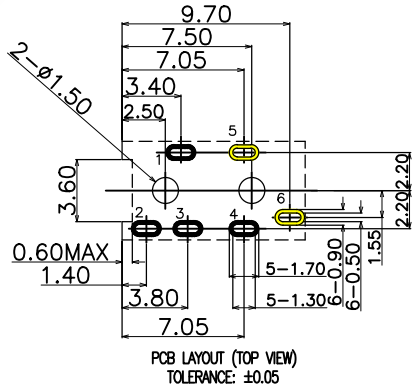
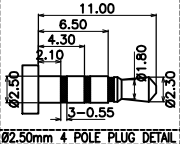
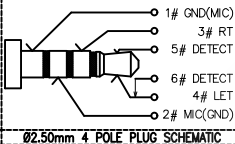
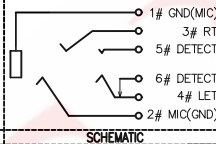
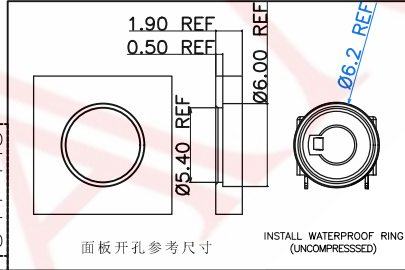
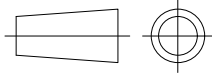


1	2	3	4	5	6	7	8																																																															
						<table border="1"> <tr><th>REV</th><th>ECN NO</th><th>DESCRIPTION</th><th>DESIGN</th><th>APPROVAL</th><th>DATE</th></tr> <tr><td>A1</td><td>NEW</td><td>Replace frame</td><td></td><td></td><td>2018.06.12</td></tr> </table>	REV	ECN NO	DESCRIPTION	DESIGN	APPROVAL	DATE	A1	NEW	Replace frame			2018.06.12																																																				
REV	ECN NO	DESCRIPTION	DESIGN	APPROVAL	DATE																																																																	
A1	NEW	Replace frame			2018.06.12																																																																	
E	<p>NOTES</p> <ol style="list-style-type: none"> <li>CURRENT RATING: 1A.</li> <li>CONTACT RESISTANCE: 100mΩ MAX.</li> <li>INSULATION RESISTANCE: 100MΩ MIN.</li> <li>DIELECTRIC WITHSTANDING: 500V AC MIN.</li> <li>DURABILITY: 5000 CYCLES MIN.</li> <li>CONNECTOR MATING FORCES: 3~30N.</li> <li>CONNECTOR UNMATING FORCES: 3~30NX.</li> <li>SALT SPRAY: 24HOUR</li> <li>WATERPROOF LEVEL: IP67.</li> <li>OPERATING TEMPERATURE: -25°C TO +85°C.</li> </ol> <p><b>Not to install the waterproof ring shipment</b></p>			 <p>3D VIEW</p>				E																																																														
D						D																																																																
C	<p><b>8X W 6 126 A T A</b></p> <p>MODEL DEFINITION</p> <ul style="list-style-type: none"> <li>Mould Number:01</li> <li>Fixing Method:Fixing Column</li> <li>Interface Method:Convention Extended Opening</li> <li>Overall Length:12.6mm</li> <li>Pin Position:6PIN</li> <li>Mounting Method:DIP</li> <li>Product Series: 2.5mm Audio Jack</li> </ul>			 <p>面板开孔参考尺寸</p>	 <p>PCB LAYOUT (TOP VIEW) TOLERANCE: ±0.05</p>	C																																																																
B	 <p>Ø2.50mm 4 POLE PLUG DETAIL</p>	 <p>Ø2.50mm 4 POLE PLUG SCHEMATIC</p>	 <p>SCHEMATIC</p>	 <p>INSTALL WATERPROOF RING (UNCOMPRESSED)</p>	A																																																																	
A	<table border="1"> <thead> <tr> <th>ITEM</th> <th>DESCRIPTION</th> <th>MATERIAL</th> <th>QTY</th> <th>FINISH/COLOR</th> <th colspan="2"></th> <th colspan="2"></th> </tr> </thead> <tbody> <tr> <td>F</td> <td>胶水</td> <td>环氧树脂</td> <td>1</td> <td>黑色</td> <td colspan="2"></td> <td colspan="2"></td> </tr> <tr> <td>E</td> <td>防水圈</td> <td>硅胶</td> <td>1</td> <td>黑色</td> <td colspan="2"></td> <td colspan="2">GENERAL TOLERANCE</td> </tr> <tr> <td>D</td> <td>底座</td> <td>高温尼龙</td> <td>1</td> <td>黑色</td> <td></td> <td>DESIGN</td> <td>WANGGUIFA</td> <td>2018.06.12</td> </tr> <tr> <td>C</td> <td>封盖</td> <td>高温尼龙</td> <td>1</td> <td>黑色</td> <td></td> <td>CHECKED</td> <td>ZHENGUILAN</td> <td>2018.06.12</td> </tr> <tr> <td>B</td> <td>引脚</td> <td>不锈钢</td> <td>2.3.6</td> <td>镀镍/接触区焊位镀金</td> <td></td> <td>APPROVED</td> <td>LILIANJIANG</td> <td>2018.06.14</td> </tr> <tr> <td>A</td> <td>引脚</td> <td>不锈钢</td> <td>1.4.5</td> <td>镀镍/接触区焊位镀金</td> <td></td> <td></td> <td></td> <td></td> </tr> </tbody> </table>				ITEM	DESCRIPTION	MATERIAL	QTY	FINISH/COLOR					F	胶水	环氧树脂	1	黑色					E	防水圈	硅胶	1	黑色			GENERAL TOLERANCE		D	底座	高温尼龙	1	黑色		DESIGN	WANGGUIFA	2018.06.12	C	封盖	高温尼龙	1	黑色		CHECKED	ZHENGUILAN	2018.06.12	B	引脚	不锈钢	2.3.6	镀镍/接触区焊位镀金		APPROVED	LILIANJIANG	2018.06.14	A	引脚	不锈钢	1.4.5	镀镍/接触区焊位镀金					<p>FIRST VIEW</p>  <p>SCALE 1:1 UNIT mm</p> <p><b>SAMZO COMPONENTS</b> Electronic switch and connector manufacturer</p>	<p>The copyright belongs to samzo parts [China] Co., Ltd. please use the material after samzo parts agree to authorize. The final right of interpretation belongs to samzo parts. WWW.KKK-JP.COM</p>	<p>TITLE: 2.5mm 6P DIP JCAK IPX7</p> <p>DWG NO: 8XW6126-P02</p> <p>PART NO: 8XW61261502</p> <p>MODEL NO: 8XW6126ATA</p> <p>NAME: WATERPROOF SOCKET</p>
ITEM	DESCRIPTION	MATERIAL	QTY	FINISH/COLOR																																																																		
F	胶水	环氧树脂	1	黑色																																																																		
E	防水圈	硅胶	1	黑色			GENERAL TOLERANCE																																																															
D	底座	高温尼龙	1	黑色		DESIGN	WANGGUIFA	2018.06.12																																																														
C	封盖	高温尼龙	1	黑色		CHECKED	ZHENGUILAN	2018.06.12																																																														
B	引脚	不锈钢	2.3.6	镀镍/接触区焊位镀金		APPROVED	LILIANJIANG	2018.06.14																																																														
A	引脚	不锈钢	1.4.5	镀镍/接触区焊位镀金																																																																		
1	2	3	4	5	6	7	8																																																															