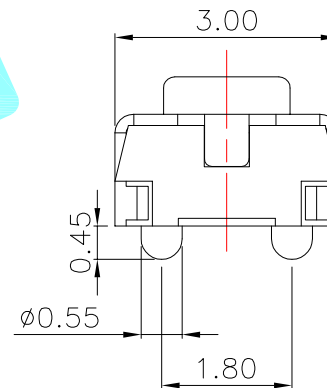
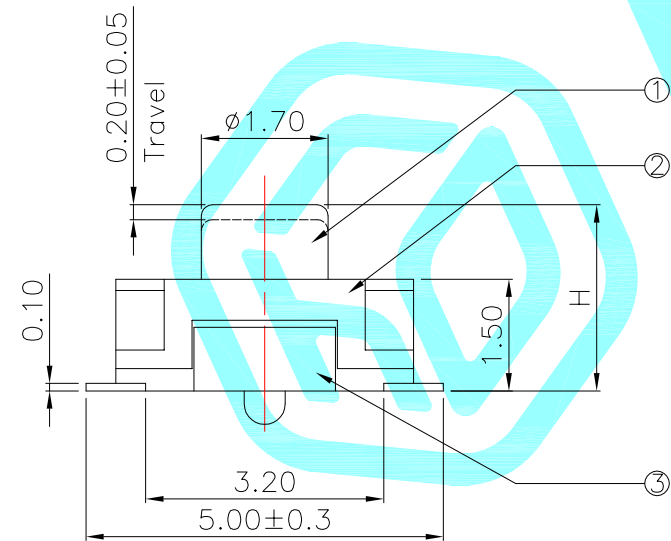
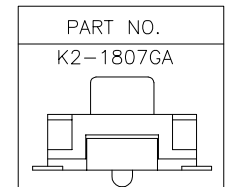


NO.1	
PART NO	H
A	2.0
B	2.5

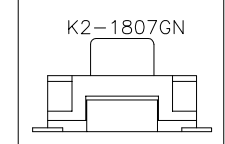
NO.4-NO.5	
PART NO	NOTE
01~99	SERIAL NUMBER



NO.2	
PART NO	VIGOR
3	180±35
4	250±35



NO.3	
PART NO	MATERIAL/QTY
S	SUS/1PC
D	SUS/2PCS



⑥	Dust cover	—	1	KAPTON FILM	—	—
⑤	Terminal	—	2	Brass(0.30t)	Plating silver	—
④	Contact	—	2	F.Ag/SUS	—	—
③	Base	—	1	Nylon	Black	—
②	Cover	—	1	SUS	Plating Nickel	—
①	Keystoke	—	1	Silica gel	Blue	—
ITEM	PART NAME	TER'NO.	QTY.	MATERIAL	FINISHING	REMARK

APPROVALS			DATE			
DRAWN	J.X.Zhang		2013/6/24			
CHECKED			TITLE:	TACT SWITCHES		
APPROVALS			PART NO.	K2-1807G□-□□□W-□□		
TOLERANCES ARE	30~以上	±0.30	ANGLE	UNIT: mm	SCALE: 1:1	PROJ:
	10~30	±0.20		DRAWING NO.		
	5~10	±0.15	SHEET 1 OF 1			
	~ 5	±0.10				

ECN NO.	REV.	DATE.	DESCRIPTION.	CHANGE.	CHECK.	APPRO.
—	A	—	NEW	—	—	—