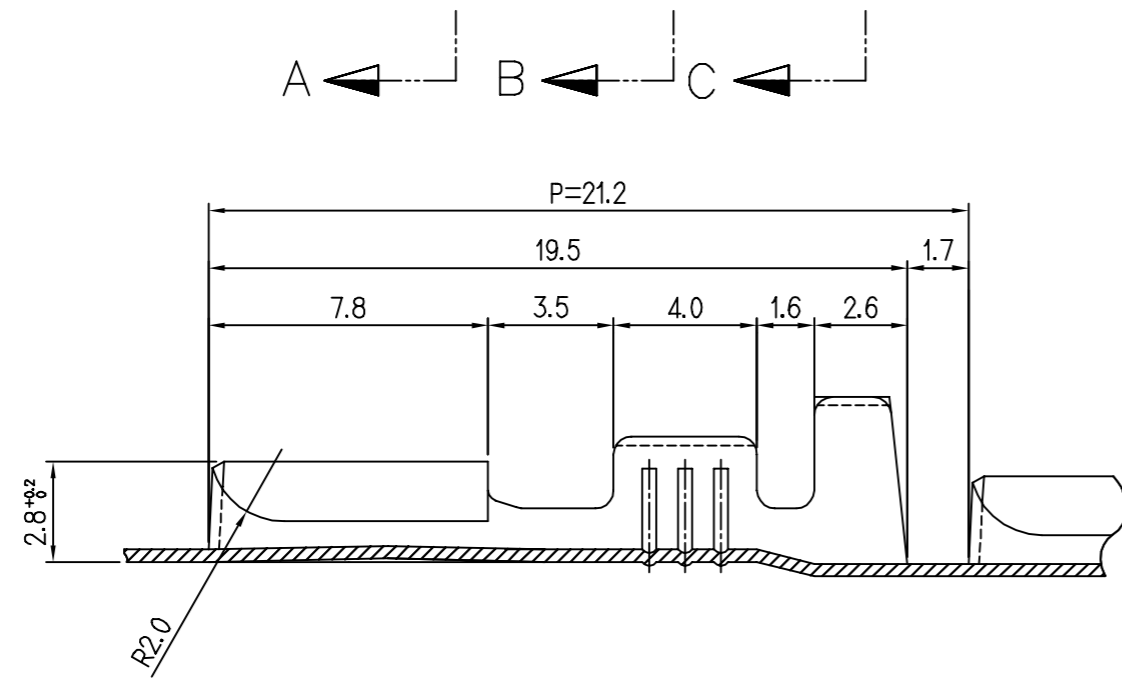
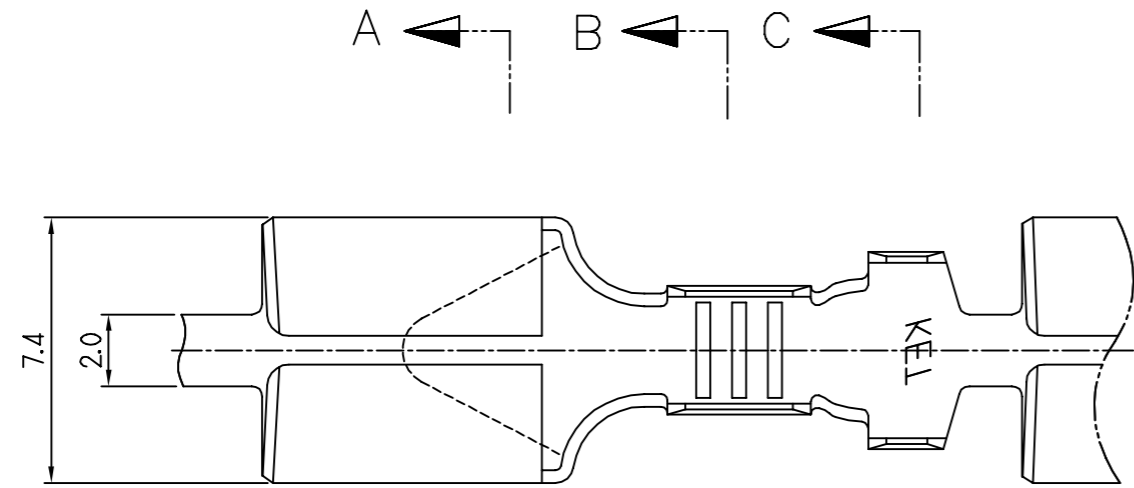


PART NO. ST730268  
ST731421

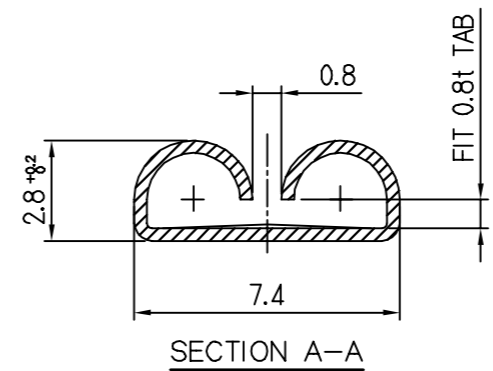
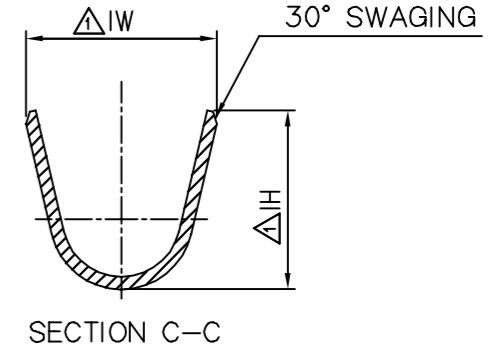
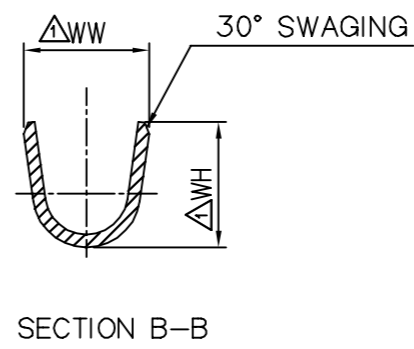
CUSTOMER DRAWING



NO.	MAT'L	FINISH
1	BRASS 0.35t	UNPLATE
2		TIN
3		△PRE-TIN

NO	PART NO	WIRE RANGE (mm <sup>2</sup> )	△INSULATION RANGE	WW	WH	IW	IH
1	ST730268	0.75-2.27	φ1.8 - φ3.0	3.6	3.5	5.5	5.0
△2	ST731421	0.85	φ1.4 - φ2.0	3.0	3.0	3.8	3.8

GENERAL TOLERANCE (TERMINAL)						USED ON
10MAX	50MAX	100MAX	250MAX	ANGLE	ECCENT	
±0.15	±0.2	±0.3	±0.5	±30'	0.1	



- △주 기
- 기능상 유해한 BURR, CRACK, 변형과 같은 결함이 없을 것.
  - 제품 내 함유된 6대 유해물질 (납, 수은, 카드뮴, 6가 크롬, PBBs, PBDEs)은 EU ELV 지침 및 RoHS 법규에서 지정한 최대 허용농도를 초과해서는 안 된다.

- △NOTE
- MUST BE FREE OF IMPERFECTION SUCH AS BURR, CRACK, DEFORMATION THAT AFFECT FUNCTION.
  - 6HAZARDOUS SUBSTANCES IN PARTS (LEAD, MERCURY, CADMIUM, HEXAVALENT, CHROMIUM, PBBs, PBDEs) SHOULD NOT EXCEED THE MAXIMUM PERMISSIBLE CONCENTRATION PRESCRIBED UNDER EU ELV DIRECTIVE & RoHS REGULATION.

APPROVED  
2021-11-03  
KOREA ELECTRIC  
TERMINAL CO., LTD.  
Korea Electric Te  
rminal Co., LTD.

ISSUE MARK

		MATERIAL SEE TABLE		<b>KIET</b> KOREA ELECTRIC ENGINEERED TERMINAL CO., LTD.	
		FINISH SEE TABLE			
		WIRE RANGE SEE TABLE		CLASS 9316-223	
		INSULATION SEE TABLE		TYPE LCR-206	
LTR	REVISION RECORD	DR.	CHK.	APP.	DATE
DR.	85.01.15	CHK.			
CHK.		APP.			
		TOLERANCE EXCEPT AS NOTED ±0.3		SCALE 5/1	
		PART NAME		PART NO. ST730268 △ST731421	
				250 SLIP-ON REC.(M)	

DIMENSIONS IN MM