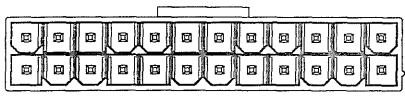


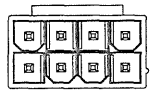
A
B
C
D
E
F
G
H

REV.	ECN NO.	DESCRIPTION	DWN.	APVD.	DATE
A	N/A	INITIAL RELEASE	WF	CJM	2022.10.24

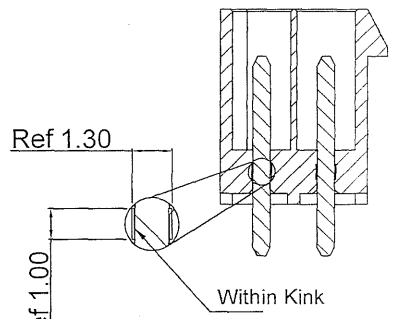
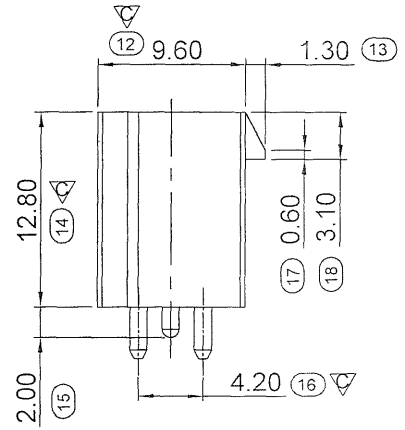
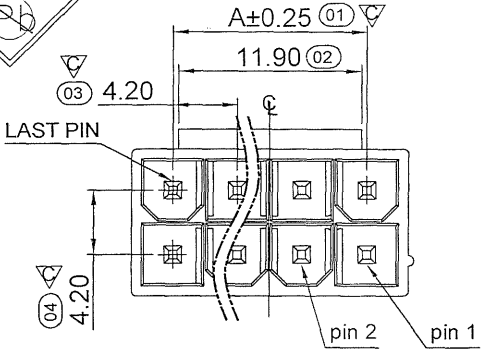
NOTES:
 1.SPECIFICATIONS:
 1.1.VOLTAGE RATING: 250V AC;
 1.2.CURRENT RATING: 10A AC/DC;
 1.3.CONTACT RESISTANCE: 30mΩ Max;
 1.4.INSULATION RESISTANCE: 1000MΩ Min;
 1.5.WITHSTANDING VOLTAGE: 1500V AC/Minute;
 1.6.OPERRATING TEMPERATURE : -40°C~+85°C.
 2.MATERIAL :
 HOUSING :PA9T UL 94 V-0
 CONTACT:BRASS (C2700)
 3.FINISH:
 CONTACT:100u" MIN TIN PLATED, 40u" NICKEL UNDERPLATING.
 4.THE DIM. MARKED "▽" IS IMPORTANT DIMENSION.
 5.THE DIM. MARKED "CPK" IS CPK DIMENSION.
 6.THE DIM. MARKED "XX" IS FAI DIMENSION AND SERIAL NUMBER.



24 PIN



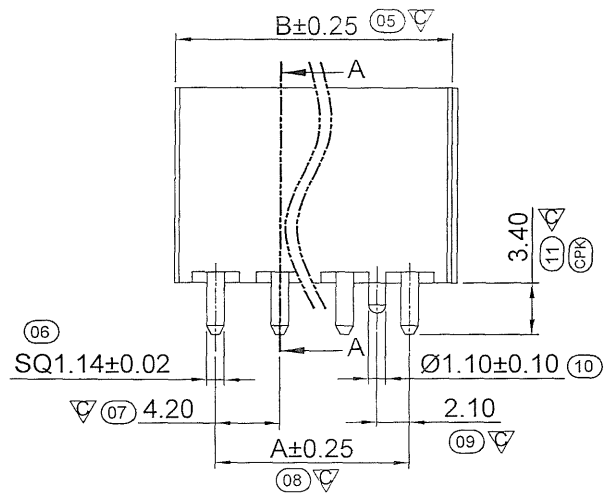
08 PIN



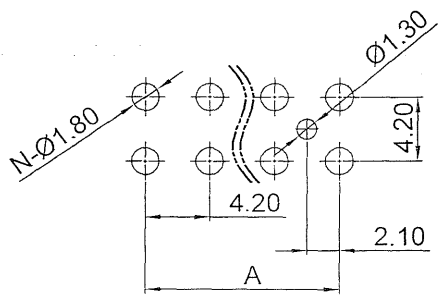
SECTION A-A



NUMBER OF POSITIONS	DIMENSIONS(mm)	
	A	B
08	12.60	18.00
24	46.20	51.60



ORDERING INFORMATION
 P W ** W 5 *** R 3 1 8
 PLATING: J=Sn 100u"
 COLOR: B=BLACK
 MATERIAL: 5=PA9T
 PIN No.: 08: 8Pin, 24: 24Pin



P.C.B LAYOUT(TOP VIEW)
 TOLERANCE:±0.10

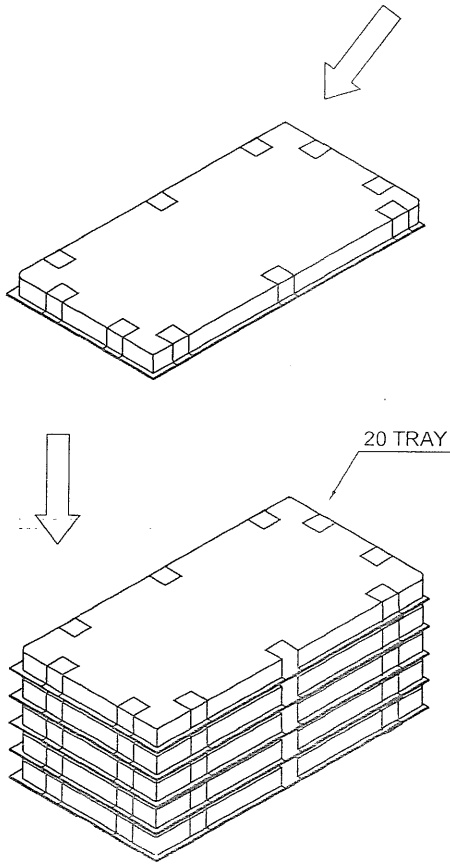
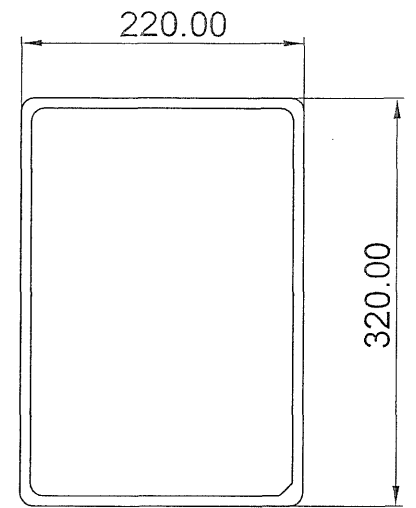
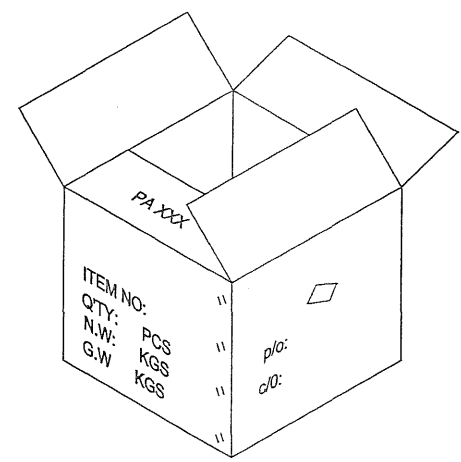
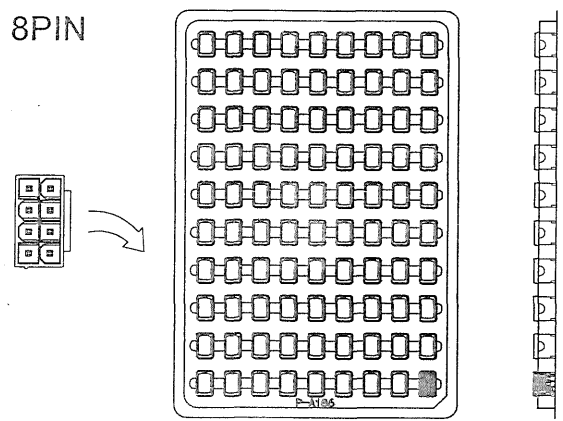
THE RESTRICTION OF ENVIRONMENTAL MANAGEMENT SUBSTANCES IS BASED ON THE NEW VERSION OF HTQ-S-3Q-83

TITLE: 4.20 PITCH ATX 2*N PIN 180° DIP3.40 with POST		HOMETOM www.hometom.com.tw HORNG TONG ENTERPRISE CO.,LTD.	
TOLERANCE		APPROVAL: <i>[Signature]</i>	UNIT: mm
LINEAR: X. ±0.30 .X ±0.25 .XX ±0.20	ANGLE: X° ±2° .X° ±1° .XX° ±0.5°	CHECK: <i>[Signature]</i>	PART NO: PW**W5***R318
CUSTOMER DRAWING	REV: A	DRAWN: <i>[Signature]</i>	SIZE: A4 DWG.NO: CPW196-00
		SCALE: 2:1	PRJ.: <i>[Signature]</i> SHEET: 1 / 3

1 2 3 4 5 6 7 8 9 10



8PIN



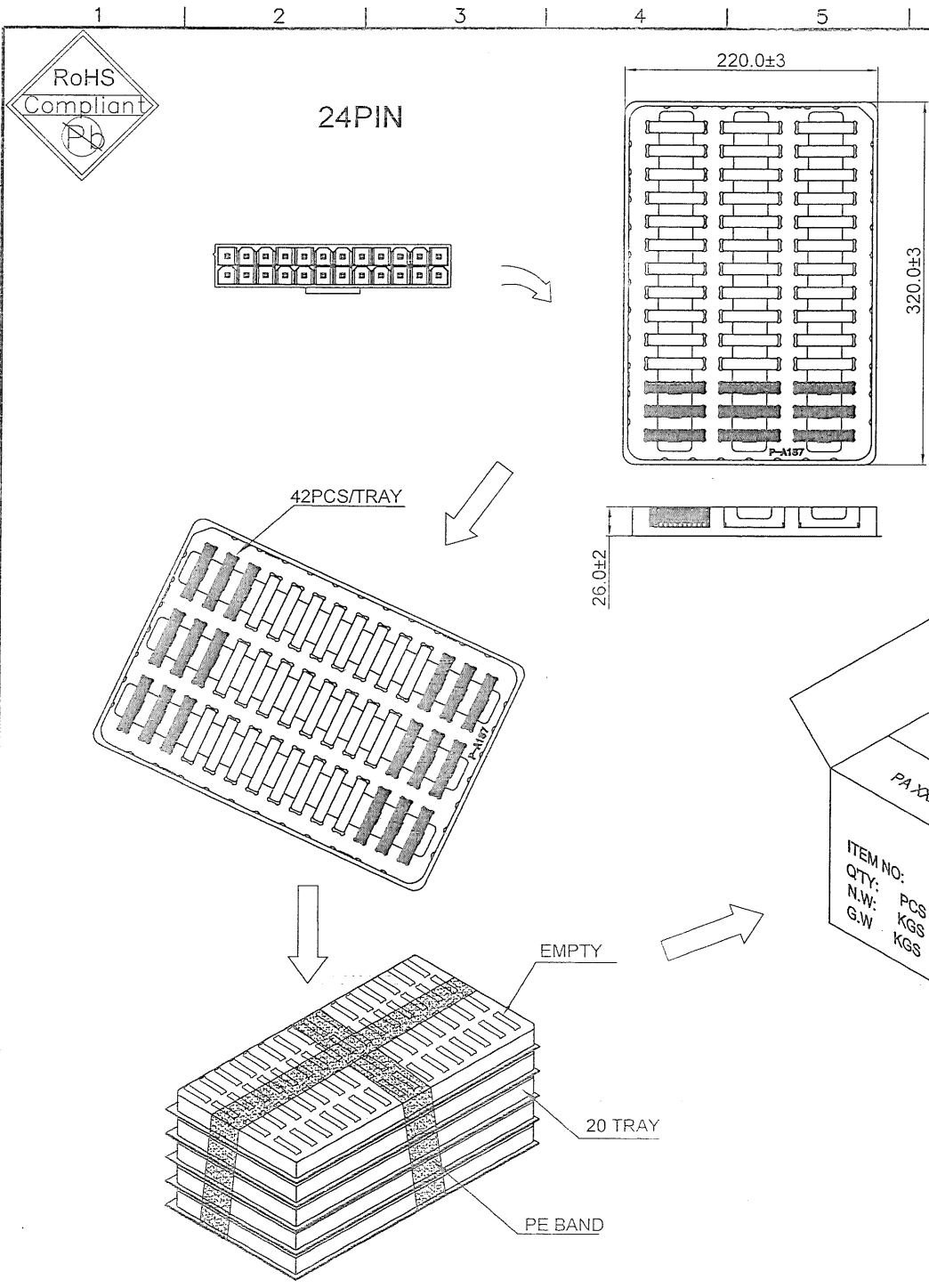
NOTE :
 1.DIMENSION :
 CARTON:
 L=340mm, W=240mm, H=370mm
 2.QUANTITY:
 08Pin: 90 PCS/ TRAY
 20 TRAY/ CARTON
 1800 PCS/ CARTON

REV.	ECN NO.	DESCRIPTION	DWN.	APVD.	DATE
A	N/A	INITIAL RELEASE	WF	CJM	2022.10.24

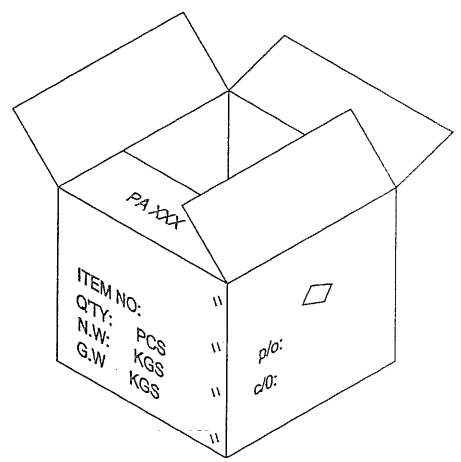
深圳市紘通电子有限公司
 2022-10-27
 内部资料 请勿复印

THE RESTRICTION OF ENVIRONMENTAL MANAGEMENT SUBSTANCES IS BASED ON THE NEW VERSION OF HTQ-S-3Q-83

TITLE: 4.20 PITCH ATX 2*N PIN 180° DIP3.40 with POST		HOMETOM www.hometom.com.tw HORNG TONG ENTERPRISE CO.,LTD.	
TOLERANCE		APPROVAL:	UNIT: mm
LINEAR: X. ±0.30 .X ±0.25 .XX ±0.20	ANGLE: X° ±2° .X° ±1° .XX° ±0.5°	CHECK:	PART NO: PW**W5***R318
CUSTOMER DRAWING	REV: A	DRAWN:	SIZE: A4 DWG.NO: CPW196-00
		SCALE: FIT	PRJ.: SHEET: 2 / 3



REV.	ECN NO.	DESCRIPTION	DWN.	APVD.	DATE
A	N/A	INITIAL RELEASE	WF	CJM	2022.10.24



NOTE :

1.DIMENSION :
 CARTON:
 L=340mm, W=240mm, H=370mm

2.QUANTITY:
 24Pin: 42 PCS/ TRAY
 20 TRAY/ CARTON
 840 PCS/ CARTON

THE RESTRICTION OF ENVIRONMENTAL MANAGEMENT SUBSTANCES IS BASED ON THE NEW VERSION OF HTQ-S-3Q-83

TITLE: 4.20 PITCH ATX 2*N PIN 180° DIP3.40 with POST		HOMETOM www.hometom.com.tw HORNG TONG ENTERPRISE CO.,LTD.			
TOLERANCE		APPROVAL: 陈家明	UNIT: mm	PART NO: PW**W5***R318	
LINEAR: X. ±0.30 .X ±0.25 .XX ±0.20	ANGLE: X° ±2° .X° ±1° .XX° ±0.5°	CHECK:	SIZE: A4	DWG.NO: CPW196-00	
CUSTOMER DRAWING	REV: A	DRAWN: 王石	SCALE: FIT	PRJ.:	SHEET: 3 / 3

