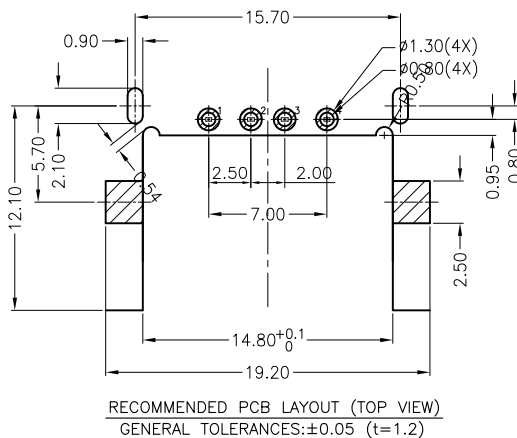
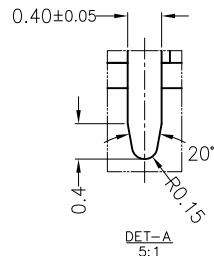
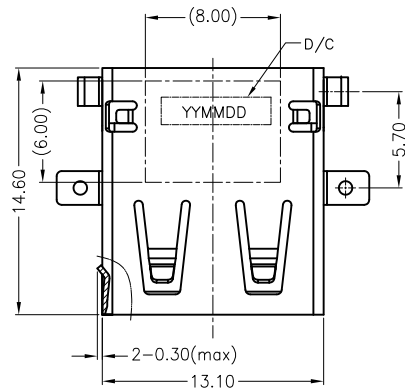
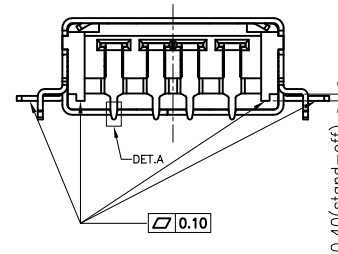
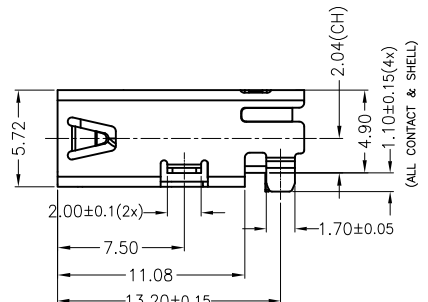
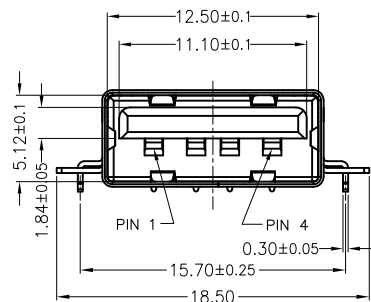




REV.	ECN NO.	DESCRIPTION	DWN.	APVD.	DATE
X1	N/A	Initial release	WTC	DLQ	2019.10.31



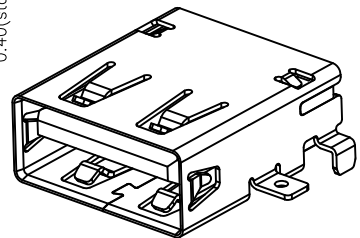
- NOTES:
- MATERIAL AND PLATING:**  
Housing: LCP+30%G.F, UL94V-0, Black  
Contact: Phosphor Bronze, Au And Sn Plated.  
Shell: Stainless Steel, Ni Plated.
  - MECHANICAL CHARACTERISTIC**  
Mating Force: 35N(3.57Kgf) Max.  
Unmating Force: 10N(1.02Kgf) Min.  
Durability: 5,000 Cycles.
  - ELECTRICAL CHARACTERISTIC**  
Current Rating: 1.5A  
Voltage Rating: 30V AC Max.  
Contact Resistance: 30m Ohm Max.  
Insulation Resistance: 1000M Ohm Min.  
Dielectric Withstanding Voltage: 500V AC.
  - TEMPERATURE**  
Operating Temperature: -40°C~+85°C  
Storage Temperature: -60°C~+105°C
  - DATECODE INFORMATION:**  
YYMMDD (Y:YEAR M:MONTH D:DATE)



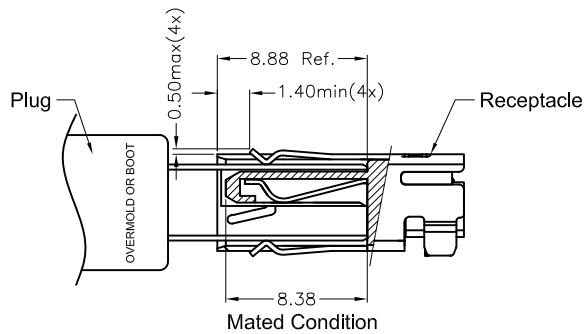
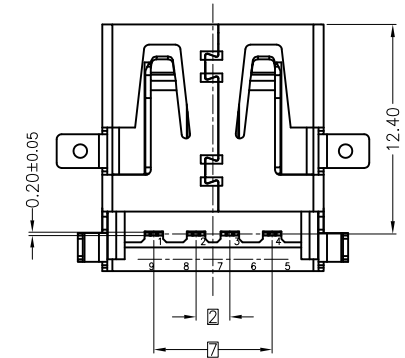
**ORDERING INFORMATION**  
US0402\*\*\*0497

MATRICAL: 6=LCP+30%G.F  
COLOR: B=BLACK

PLATING: A=G/F



Contact Number	Signal Name
PIN1	VBUS
PIN2	D-
PIN3	D+
PIN4	GND



**THE RESTRICTION OF ENVIRONMENTAL MANAGEMENT SUBSTANCES IS BASED ON THE NEW VERSION OF HTQ-S-3Q-83**

<b>TITLE:</b> USB2.0 AF R/A DIP TYPE CH=2.04		<b>HOMETOM</b> www.hometom.com.tw	
		<b>HORNG TONG ENTERPRISE CO.,LTD.</b>	
<b>TOLERANCE</b>		<b>APPROVAL:</b>	<b>UNIT:</b> mm
<b>LINEAR:</b> XX ±0.30 .XX ±0.20 .XXX ±0.10	<b>ANGLE:</b> X° ±2° .X° ±1° .XX° ±0.5°	<b>CHECK:</b>	<b>PART NO:</b> US0402***0497
<b>CUSTOMER DRAWING</b>	<b>REV:</b> X1	<b>DRAWN:</b>	<b>SIZE:</b> A4
			<b>DWG.NO:</b> CUS414-00
			<b>SCALE:</b> 1:1
			<b>PRJ.:</b>
			<b>SHEET:</b> 1 / 1