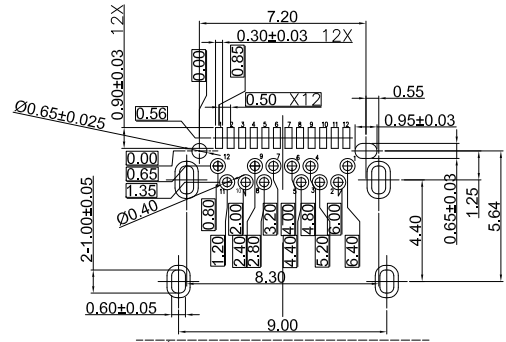
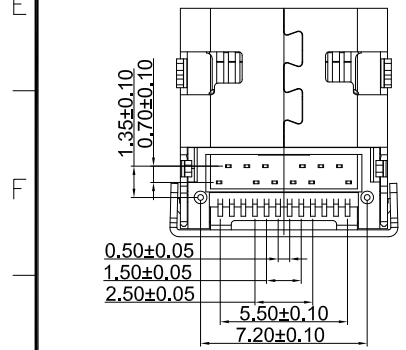
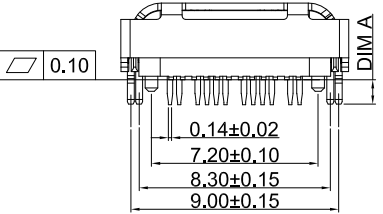
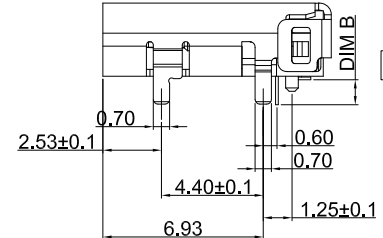
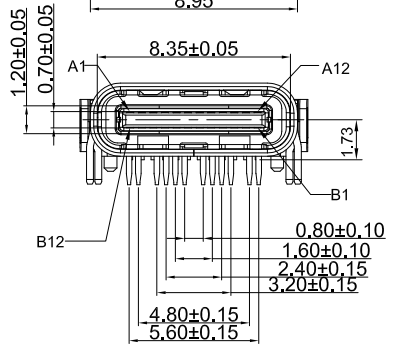
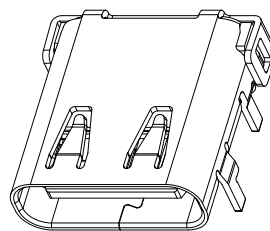
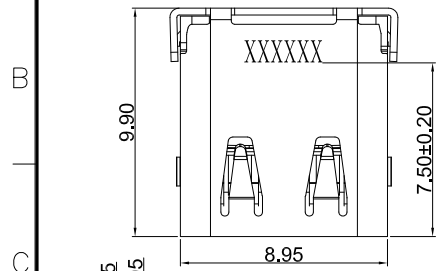




REV.	ECN NO.	DESCRIPTION	DWN.	APVD.	DATE
CX1	N/A	图面变更	YSL	CJH	2021.03.15
CX2	N/A	图面变更	YSL	CJM	2022.11.22

NOTES:

- MATERIAL:
 - MOLDING: LCP UL94 V-0
 - CONTACT: C1815.
 - GOLD PLATED 1U" Min ON CONTACT AREA,
 - 100u" Min TIN ON SOLDER AREA,
 - 50u" NICKEL PLATING OVER ALL.
- MECHANICAL:
 - SHELL: SUS304-H, T=0.30±0.03mm
 - 50u" NICKEL PLATING OVER ALL.
 - SHILD: SUS301-H, T=0.20±0.03mm
- ELECTRICAL:
 - INSERTION: 5~20N.
 - EXTRACTION: 8~20N AFTER TEST.
 - DURABILITY: 10000 CYCLES
- ENVIRONMENTAL:
 - CURRENT: 5A FOR VBUS;
 - 1.25A FOR GND PIN.
 - 0.25A FOR OTHER.
 - VOLTAGE: 20 V MAX
 - WITHSTANDING VOLTAGE: 100V AC R.M.S.
 - CONTACT RESISTANCE: 40mΩ MAX.
 - INSULATION RESISTANCE: 100MΩ MIN.
 - TEMPERATURE RANGE -25°C ~ +85°C



CONNECTOR FRONT EDGE
 RECOMMENDED P.C.B. LAYOUT (T:1.00mm)
 TOLERANCE UNSPECIFIED ±0.05mm

DIM.

成品料号	A	B	CONTACTS	
			FUNCTIONAL AREA	SOLDER AREA
US12B36BA3373	1.20	1.10	Au:1u"	Au:G/F
US12B36BAB373	1.30	1.25	Au:1u"	Au:G/F
US12B36BA0373	0.90	0.80	Au:1u"	Au:G/F

A1	GND	B12	GND
A2	SSTXP1	B11	SSRXP1
A3	SSTXN1	B10	SSRXN1
A4	VBUS	B9	VBUS
A5	CC1	B8	SBU2
A6	DP1	B7	DN2
A7	DN1	B6	DP2
A8	SBU1	B5	CC2
A9	VBUS	B4	VBUS
A10	SSRXN2	B3	SSTXN2
A11	SSRXP2	B2	SSTXP2
A12	GND	B1	GND
PIN	SIGNAL NAME	PIN	SIGNAL NAME

THE RESTRICTION OF ENVIRONMENTAL MANAGEMENT SUBSTANCES IS BASED ON THE NEW VERSION OF HTQ-S-3Q-83

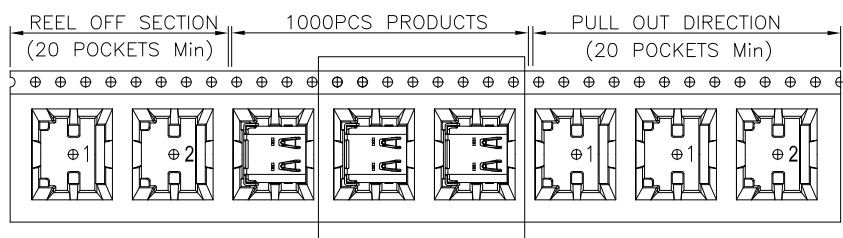
TITLE: USB CF TYPE DIP+SMT CONN. **HOMETOM** www.hometom.com.tw
HORNG TONG ENTERPRISE CO.,LTD.

TOLERANCE	APPROVAL:	UNIT: mm	PART NO: US12B36BA*373
LINEAR: X. ±0.35 .X ±0.30 .XX ±0.25	ANGLE: X° ±5° .X° ±3° .XX° ±2°	CHECK:	SIZE: A4
CUSTOMER DRAWING	REV: CX2	DRAWN:	SCALE: 1:1
		PRJ.:	SHEET: 1 / 2

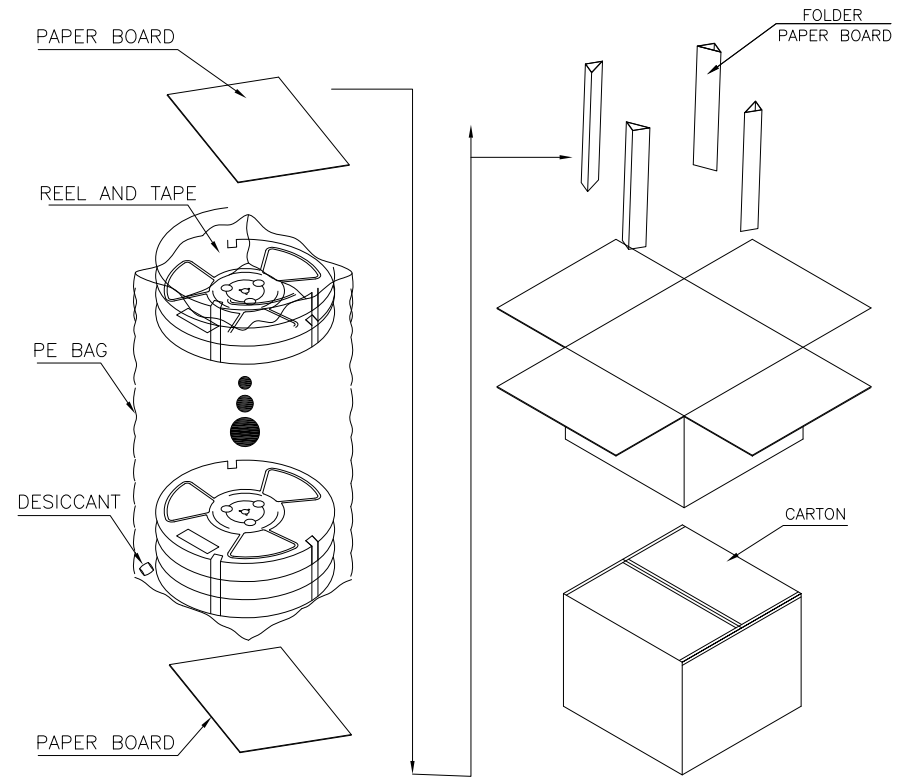
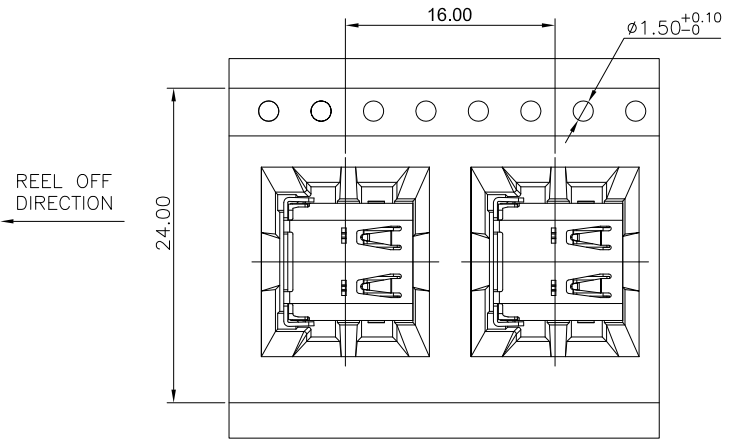
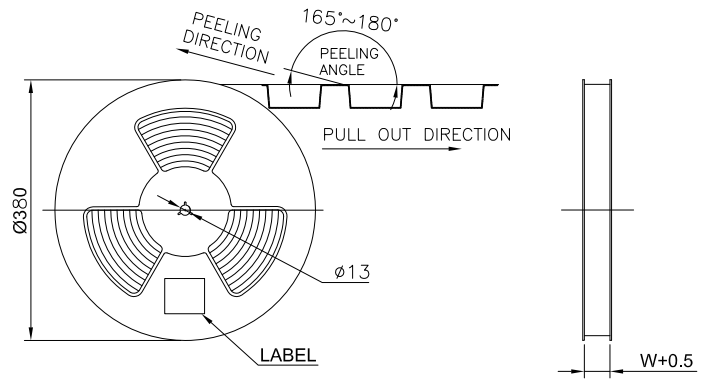
NO.	DESCRIPTION	MATERIAL	REMARKS	QTY
5	外壳	SUS 304, T=0.30	NI Plated	1PCS
4	弹片	SUS 316, T=0.10	---	1PCS
3	中夹片	SUS 301, T=0.20	---	1PCS
2	端子	C1815, T=0.12	Au/Ni Plated	2SET
1	半成品	LCP UL94V-0	BLACK	1PCS



REV.	ECN NO.	DESCRIPTION	DWN.	APVD.	DATE
CX1	N/A	图面变更	YSL	CJH	2021.03.15
CX2	N/A	图面变更	YSL	CJM	2022.11.24



SEE DETAIL X



	REEL/TRAY	CARTON
CONNECTOR (PCS)	1000	5000

THE RESTRICTION OF ENVIRONMENTAL MANAGEMENT SUBSTANCES IS BASED ON THE NEW VERSION OF HTQ-S-3Q-83

TITLE: USB CF TYPE DIP+SMT CONN.		HOMETOM www.hometom.com.tw HORNG TONG ENTERPRISE CO.,LTD.	
TOLERANCE		APPROVAL:	UNIT: mm
LINEAR: X. ±0.35 .X ±0.30 .XX ±0.25	ANGLE: X°. ±5° .X° ±3° .XX° ±2°	CHECK:	PART NO: US12B36BA*373
CUSTOMER DRAWING	REV: CX2	DRAWN:	SCALE: 1:1
		PRJ.:	DWG.NO: CUS286-00
			SHEET: 2 / 2