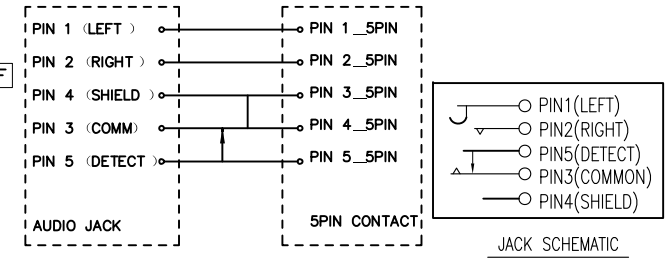
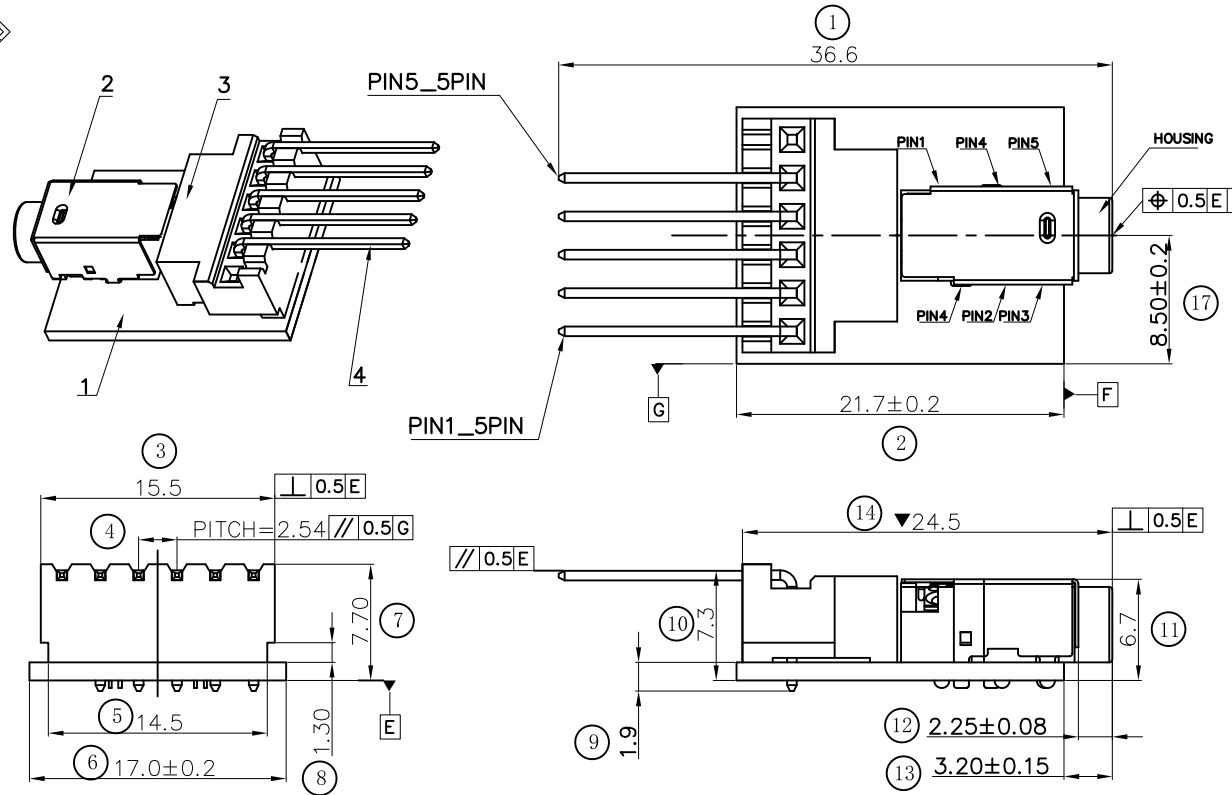


REV.	ECN NO.	DATE
A	C11124	2011/08/29
B	***	***



NOTES:

- 1.DIELECTRIC WITHSTANDING VOLTAGE : AC500V 0.5mA
- 2.INSULATION RESISTANCE : DC500V 100M Ω
- 3.LOW LEVEL CONTACT RESISTANCE : 50m Ω MAX
- 4.DARABILITY : 5000 CYCLES MIN
- 5.INSERTION AND WITHDRAWAL FORCE:5N~30N

TABLE-2

DESCRIPTION	PART	MATERIAL /COLOR,PLATING	UNIT	Q'TY	REMARK
HOUSING		PA66+30%G.F / BLACK	PC	1	
PIN5		C2680-H t=0.20 Au5~10u"ON CONTACT AREA Ni 80u"~150u" UNDERPLATED	PC	1	JIS
PIN3		C17200 TMO4 t=0.20 Au5~10u"ON CONTACT AREA Ni 80u"~150u" UNDERPLATED	PC	1	JIS
PIN2		C5210-EH t=0.20 Au5~10u"ON CONTACT AREA Ni 80u"~150u" UNDERPLATED	PC	1	JIS
PIN1		C17200-H t=0.25 Au5~10u"ON CONTACT AREA Ni 80u"~150u" UNDERPLATED	PC	1	JIS
PIN4		C2680-H t=0.20 Ni 80~120u"OVER ALL	PC	1	JIS

TABLE-1

ITEM	DESCRIPTION	UNIT	Q'TY	MATERIAL/PLATING
4	5PIN CONTACT	PC	5	BRASS/PLATED Au10u"
3	HEAD	PC	1	PA66+30%G.F/BLACK
2	AUDIO JACK	PC	1	REFER TO "TABLE2"
1	PCB	PC	1	FR-4 CCL/PP

PART NO.
AS05012BDA***

00A =BEFOR TEST
A0A =AFTER TEST

THE RESTRICTION OF ENVIRONMENTAL MANAGEMENT SUBSTANCES IS BASED ON THE NEW VERSION OF HTQ-S-3Q-83

TITLE: AUDIO JACK 5PINHEAD PCB ASSY		HOMETOM www.hometom.com.tw HORNG TONG ENTERPRISE CO.,LTD.	
TOLERANCE: x. ±0.50 .x ±0.30 .xx ±0.20 .xxx±0.10		APPROVAL: Jack 2012/10/16	UNIT: mm
ANGLE: x.' ±5' .x' ±2' .xx' ±1'		CHECK: Eleven 2012/10/16	PART NO: AS05012BDA***
CUSTOMER PART NO. 1072300001	CUSTOMER DRAWING	SCALE: FIT	DWG.NO: C918-00
	REV: B	DRAWN: Chukq 2012/10/16	PRJ.: SHEET: 1 / 1