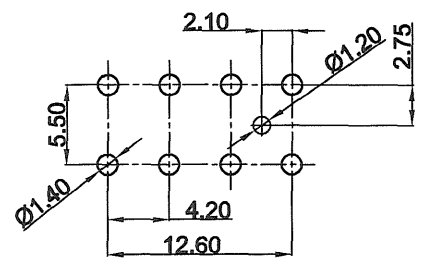
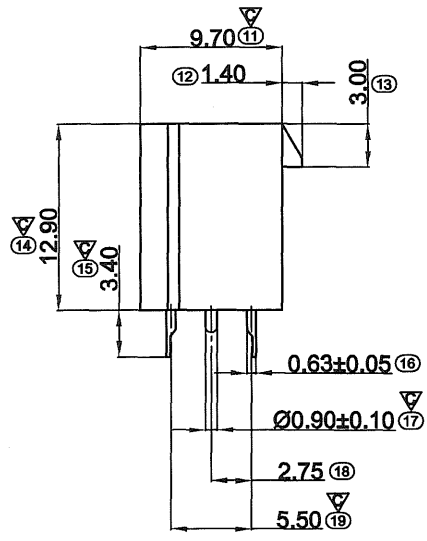
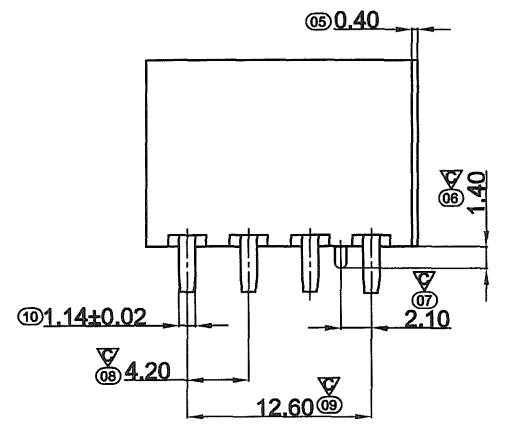
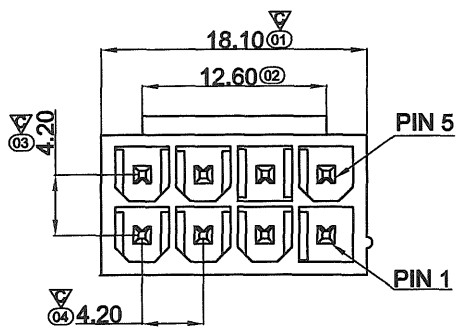




REV.	ECN NO.	DESCRIPTION	DWN.	APVD.	DATE
A	N/A	Initial release	YSL	JD	2021.03.24

A
B
C
D
E
F
G
H



RECOMMENDED P.C.B LAYOUT
TOLERANCE: ±0.05 (TOP VIEW)

NOTE

- 1.SPECIFICATIONS
 - 1.1 VOLTAGE RATING: 250V DC/AC
 - 1.2 CURRENT RATING: 8A DC/AC
 - 1.3 CONTACT RESISTANCE: 20mΩ MAX
 - 1.4 INSULATION RESISTANCE: 1000MΩ MIN
 - 1.5 WITHSTANDING VOLTAGE: 1500V AC FOR 1MIN
 - 1.6 TEMPERATURE RANGE:-55°C ~ +85°C
 - 2.MATERIAL
 - 2.1 HOUSING:THERMOPLASTIC,UL 94V-0
 - 2.2 CONTACT:BRASS
 - 2.3 FINISH:SEE ORDERING INFORMATION
- THE DIM. MARKED "▽" IS IMPORTANT DIMENSION
THE DIM. MARKED "⊕" IS CPK DIMENSION.
THE DIM. MARKED "⊗" IS FAI DIMENSION .

ORDERING INFORMATION

PW08W5***R310

MATERIAL
2=PA66+30%G.F

PLATING:
J=Sn 100u"

COLOR:
D=NATURE

THE RESTRICTION OF ENVIRONMENTAL MANAGEMENT SUBSTANCES IS BASED ON THE NEW VERSION OF HTQ-S-3Q-93

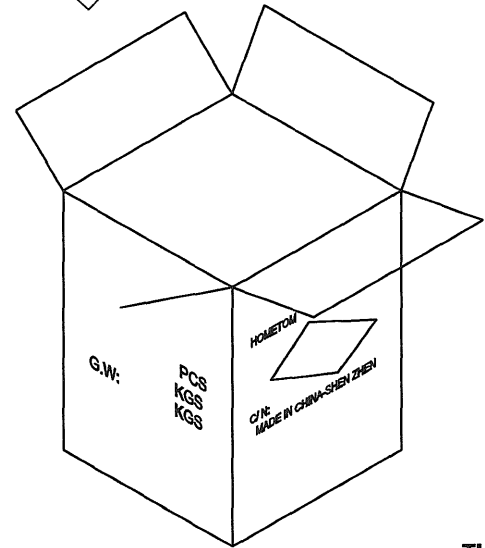
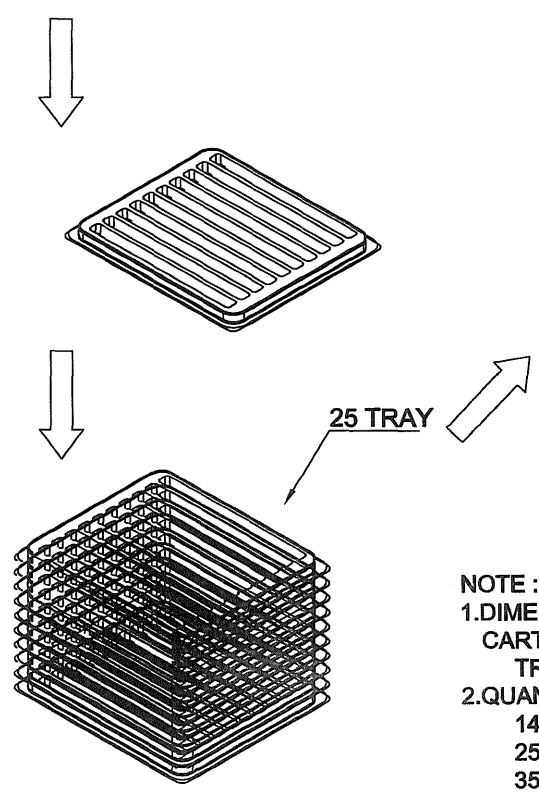
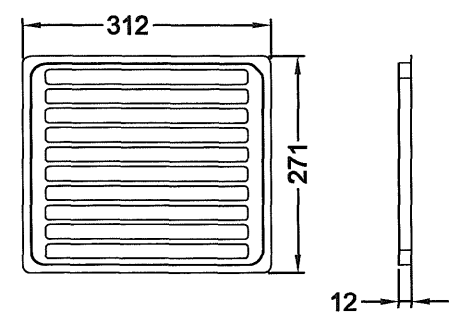
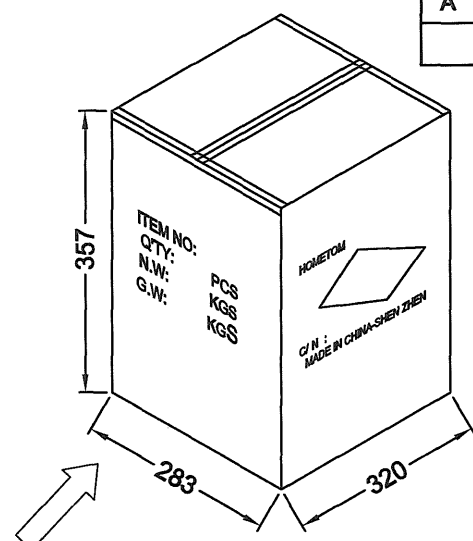
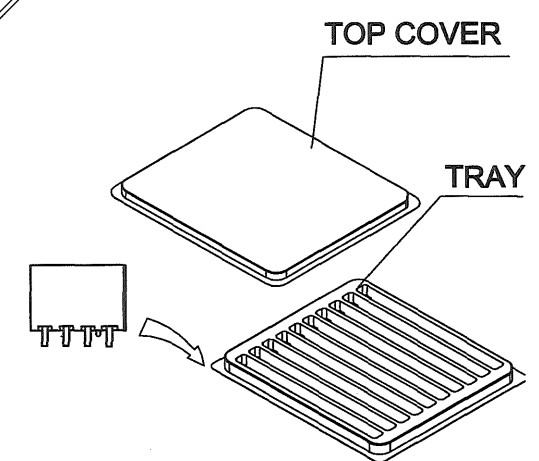


TITLE: POWER CONN 4.20PITCH		HOMETOM www.hometom.com.tw HORNG TONG ENTERPRISE CO.,LTD.			
TOLERANCE		APPROVAL: <i>[Signature]</i>	UNIT: mm	PART NO: PW08W5***R310	
LINEAR: X ±0.30 X ±0.25 XX ±0.20	ANGLE: X° ±2° X° ±1° XX° ±0.5°	CHECK: <i>[Signature]</i>	SIZE: A4	DWG.NO: CPW183-00	
CUSTOMER DRAWING	REV: A	DRAWN: <i>[Signature]</i>	SCALE: 1:1	PRJ.:	SHEET: 1 / 2



REV.	ECN NO.	DESCRIPTION	DWN.	APVD.	DATE
A	N/A	Initial release	YSL	JD	2021.03.24

A
B
C
D
E
F
G
H



深圳市統通电子有限公司
2021-03-26
内部资料 请勿复印

NOTE :
1.DIMENSION :
CARTON:L=320mm, W=283mm, H=357mm
TRAY:L=312mm, W=271mm, H=12mm
2.QUANTITY:
140 PCS/ TRAY
25 TRAY/ CARTON
3500 PCS/ CARTON

THE RESTRICTION OF ENVIRONMENTAL MANAGEMENT SUBSTANCES IS BASED ON THE NEW VERSION OF HTQ-S-3Q-83

TITLE: POWER CONN 4.20PITCH		HOMETOM www.hometom.com.tw HORNG TONG ENTERPRISE CO.,LTD.			
TOLERANCE		APPROVAL: <i>[Signature]</i>	UNIT: mm	PART NO: PW08W5***R310	
LINEAR: X. ±0.30 X ±0.25 XX ±0.20	ANGLE: X° ±2° X° ±1° XX° ±0.5°	CHECK: <i>[Signature]</i>	SIZE: A4	DWG.NO: CPW183-00	
CUSTOMER DRAWING	REV: A	DRAWN: <i>[Signature]</i>	SCALE: 1:1	PRJ.:	SHEET: 2 / 2

技术文件发行通知单

申请类别	<input checked="" type="checkbox"/> 工程图面 <input type="checkbox"/> BOM表 <input type="checkbox"/> SOP <input type="checkbox"/> SIP <input type="checkbox"/> 产品规范		
文件名称	CPW183-00	日期	2021年03月24日
申请原因：初版发行 <div style="text-align: center; border: 1px solid black; padding: 5px; width: fit-content; margin: 20px auto;"> 深圳市絃通电子有限公司 2021-03-26 内部资料 请勿复印 </div>			
受文单位：			
<input checked="" type="checkbox"/> 制造部		<input type="checkbox"/> 业务部	
<input type="checkbox"/> 研发部		<input type="checkbox"/> 注塑部	
<input checked="" type="checkbox"/> 品保部		<input type="checkbox"/> 冲压部	
<input checked="" type="checkbox"/> 资材部		<input type="checkbox"/> 其它	
核准：	YD	审核：	王波 (代)
		制定：严赛龙	
文管中心确认：	蓝益霞	日期	21年3月26日