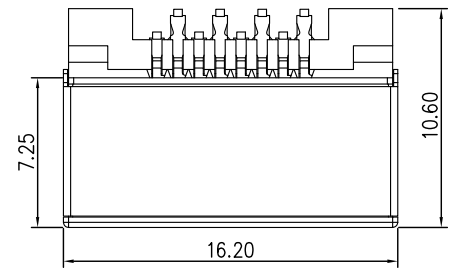




REV.	ECN NO.	DESCRIPTION	DWN.	APVD.	DATE
X3	N/A	ADD Dimension	DLQ	DLQ	2020.12.25
X4	N/A	Change of drawing file	YSL	CJM	2022.11.22

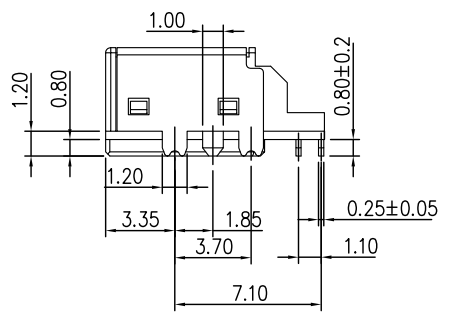
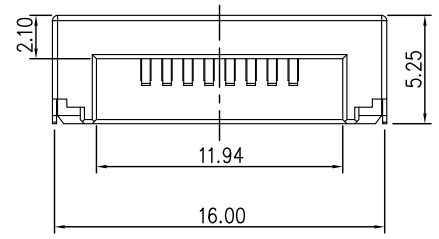
A  
B  
C  
D  
E  
F  
G  
H



Pin Define		
	10/100 Base	1000 Base
1	TX_DA+	TX_DA+
2	TX_DA-	TX_DA-
3	RX_DB+	RX_DB+
4	N/C	BL_DC+
5	N/C	BL_DC-
6	RX_DB-	RX_DB-
7	N/C	BL_DD+
8	N/C	BL_DD-

NOTES:

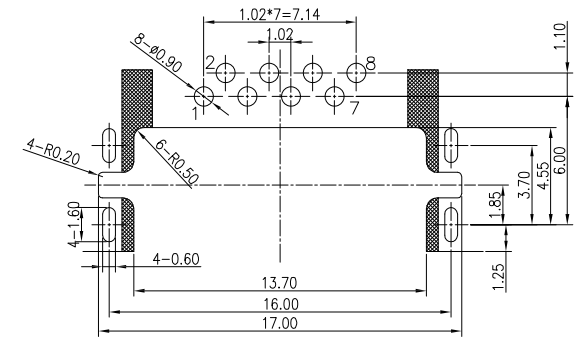
- MATERIAL :
  - <A> HOUSING : LCP , 30% G/F FILLED , UL94V-0 RATED OR OTHER HIGH PERFORMANCE RESINS.
  - <B> TERMINAL : PHOSPHOR BRONZE , t=0.25 mm
  - <C> SHELL : METAL t=0.20mm.
- FINISH :
  - CONTACT: SELECTIVE GOLD PLATING IN THE CONTACT AREA, AND SELECTIVE TIN PLATING IN THE SOLDER TAIL AREA, WITH 60u" NICKEL UNDER PLATING OVERALL.
  - SHELL:50u" NICKEL PLATING OVERALL.
- SPECIFICATION :
  - OPERATING TEMPERATURE : -40~+85°



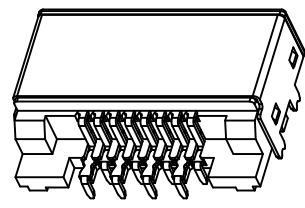
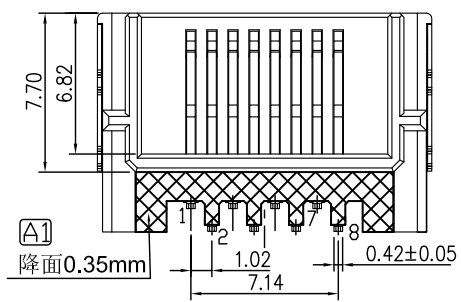
ORDERING INFORMATION  
R J 0 8 J 4 \* \* \* A 4 1 3

MATERIAL:  
6=LCP+30% G.F  
COLOR:  
B=BLACK

PLATING:  
A=G/F PLATED CONTACT AREA  
SN PLATED SOLDER



P.C.B. Layout (Top View)  
TOLERANCE±0.05 / T=1.0  
NO PATTERN AREA

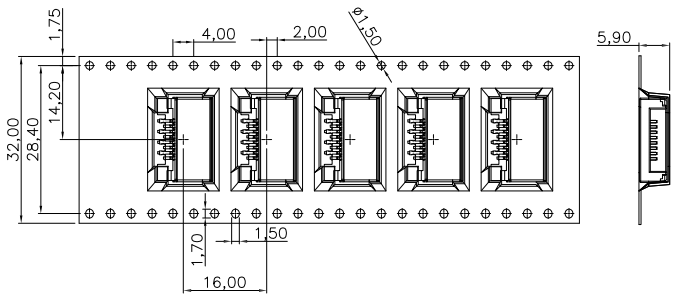


THE RESTRICTION OF ENVIRONMENTAL MANAGEMENT SUBSTANCES IS BASED ON THE NEW VERSION OF HTQ-S-3Q-83

TITLE: RJ45 8P8C W/O LED		<b>HOMETOM</b> www.hometom.com.tw <b>HORNG TONG ENTERPRISE CO.,LTD.</b>			
TOLERANCE		APPROVAL:	UNIT: mm	PART NO: RJ08J4***A413	
LINEAR: .X ±0.38 .XX ±0.25 .XXX ±0.15	ANGLE: X° ±2° .X° ±1° .XX° ±0.5°	CHECK:	SIZE: A4	DWG.NO: CRJ373-00	
CUSTOMER DRAWING	REV: X4	DRAWN:	SCALE: 1:1	PRJ.:	SHEET: 1 / 2



REV.	ECN NO.	DESCRIPTION	DWN.	APVD.	DATE
X3	N/A	ADD Dimension	DLQ	DLQ	2020.12.25
X4	N/A	Change of drawing file	YSL	CJM	2022.11.22



NOTES:

1. 包装数 4800PCS箱/8卷600PCS/;
2. 纸箱封盖后以封箱胶封箱(工字型), 侧面贴上出货标签;
3. 外箱规格: 34.5\*34.5\*32.5cm;  
卷盘规格:  $\phi 330 \times 35.0$ mm;

序号	包装名称	数量	单位
6	防水袋	1	PCS
5	外箱标签	1	PCS
4	内箱标签	8	PCS
3	护角	4	PCS
2	外纸箱	1	PCS
1	卷盘	8	SET

卷带方向

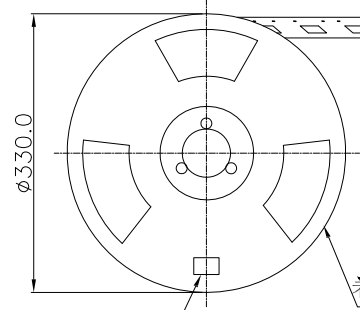
卷带

8REEL/箱

保护带

外箱标签

封箱胶



卷盘

内箱标签

Q'TY:600pcs

35.0

放护角纸

防水袋

C/NO.:

STAR

END

前段空15穴 中间封装产品600PCS 后段空15穴

USER DIRECTION OF FEED

THE RESTRICTION OF ENVIRONMENTAL MANAGEMENT SUBSTANCES IS BASED ON THE NEW VERSION OF HTQ-S-3Q-83

TITLE: RJ45 8P8C W/O LED		<b>HOMETOM</b> www.hometom.com.tw <b>HORNG TONG ENTERPRISE CO.,LTD.</b>			
<b>TOLERANCE</b>		<b>APPROVAL:</b>		<b>UNIT:</b> mm	
<b>LINEAR:</b> .X $\pm 0.38$ .XX $\pm 0.25$ .XXX $\pm 0.15$		<b>APPROVAL:</b>		<b>PART NO:</b> RJ08J4***A413	
<b>ANGLE:</b> X° $\pm 2^\circ$ .X° $\pm 1^\circ$ .XX° $\pm 0.5^\circ$		<b>CHECK:</b>		<b>SIZE:</b> A4	
<b>CUSTOMER DRAWING</b>		<b>DRAWN:</b>		<b>DWG.NO:</b> CRJ373-00	
<b>REV:</b> X4		<b>SCALE:</b> 1:1		<b>PRJ.:</b> 	
				<b>SHEET:</b> 2 / 2	