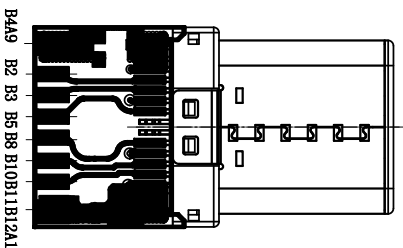
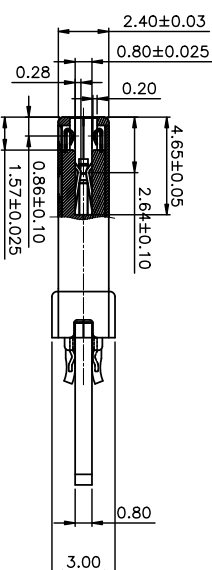
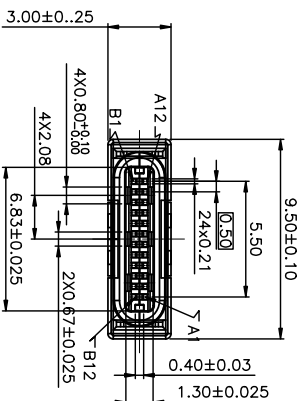
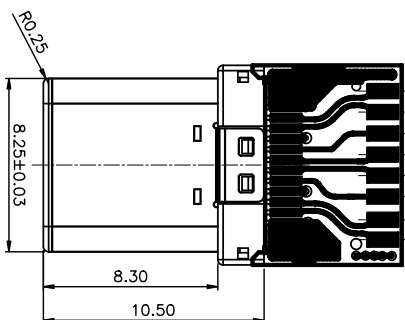


1 ROHS

A11 A10 A8 A7 A6 A5 A3 A2



Signal Name	Description	PIN	Signal Name	Description
A1	GND	B12	GND	Ground return
A2	Positive half of first SuperSpeed TX differential pair	B11	SSRX01	Positive half of first SuperSpeed RX differential pair
A3	Negative half of first SuperSpeed TX differential pair	B10	SSRX01	Negative half of first SuperSpeed RX differential pair
A4	Yes	B9	Yes	Bus Power
A5	CC1	B8	SR02	Standed Use (SR0)
A6	DP1	B7	DP2	Positive half of the USB 2.0 differential pair-Position 2
A7	DN1	B6	DP2	Negative half of the USB 2.0 differential pair-Position 2
A8	SR01	B5	CC2	Configuration Channel
A9	Yes	B4	Yes	Bus Power
A10	SSRX02	B3	SSTX02	Negative half of second SuperSpeed TX differential pair
A11	SSRX02	B2	SSTX02	Positive half of second SuperSpeed TX differential pair
A12	GND	B1	GND	Ground return

MAPX	MODIFICATION	DRW	DATE

·SPECIFICATION
MATERIAL
See drawing
STANDARD DATA
Operating temperature: -10°C ~ +60°C
Storage temperature: -20°C ~ +85°C
ELECTRICAL
Insulator resistance: 100Mohms Min.
Withstanding voltage: 100 VAC / minute
Contact resistance: initial 40Mohms Max;
after 50Mohms Max.
MECHANICAL
Mating force: 5~20N
Umating force : 8~20N
Durability: 5000 cycles Min.

项目	零件名称	数量	材质	处理/备注
1	SHELL	1	STAINLESS	Ni:50u" (Black)
2	Molding HOUSING	2	L.C.P	(Black)
3	GND SPRING	2	STAINLESS	Ni:50u" (Black)
4	Insert molding 12PIN	2	L.C.P	Contact area:gold flash, Solder tails:1in100u", Ni:50u"
5	CONTACT	24	COPPER ALLOY	
6	PCB	1		

产品图

深圳市精拓金电子有限公司
Shenzhen Jing Tuo Jin Electronics Co., Ltd.

公差一览表

公差一览表	UNIT	MM	制图	产品料号
TOLERANCE UNLESS OTHERWISE	UNITS	MM	DRAWING	PRODUCT PART NO.
X. ±0.35	X.	±0.35	审核	918-118A2021A30331
X. ±0.25	X.	±0.25	核准	3.1TYPE-C公头(镀)/C7025+
.XX ±0.20	.XX	±0.20	日期	规格3.1+电板
.XXX ±0.05	.XXX	±0.05	日期	版本
			DATE	角法
			2021-03-10	VER
			核准	版本
			黄国荣	A0
			APRD	

您正在使用 ZWCAD 2022 个人版, 不得用于商业用途, 详情请咨询4007-182-588.