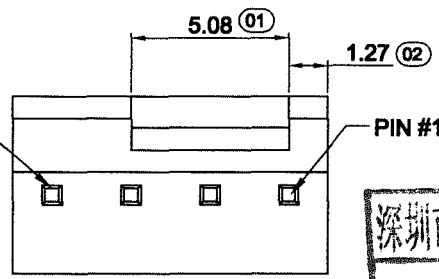
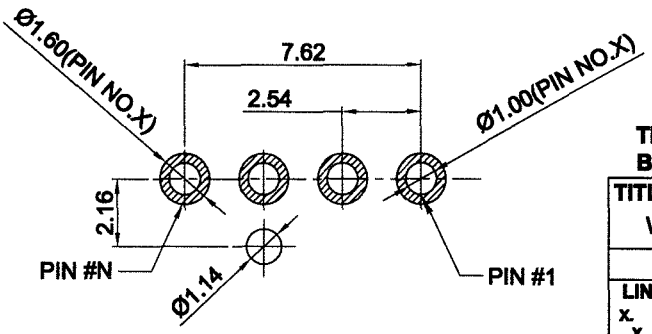
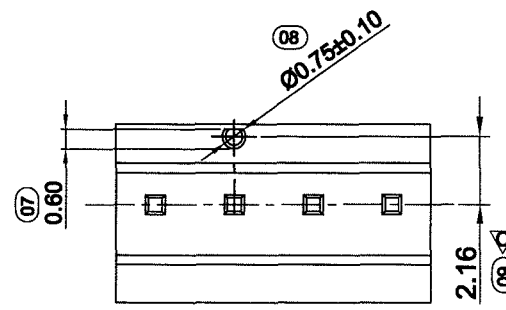
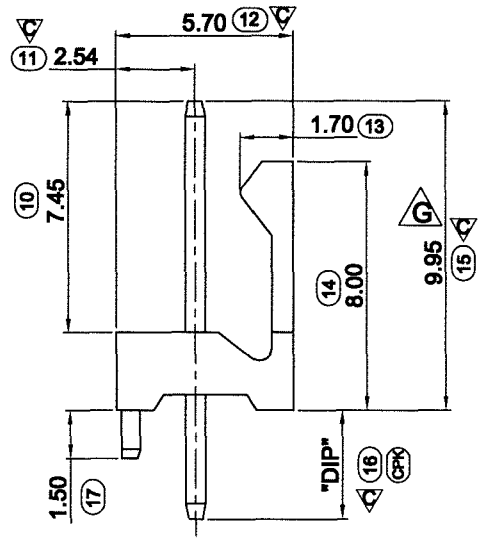
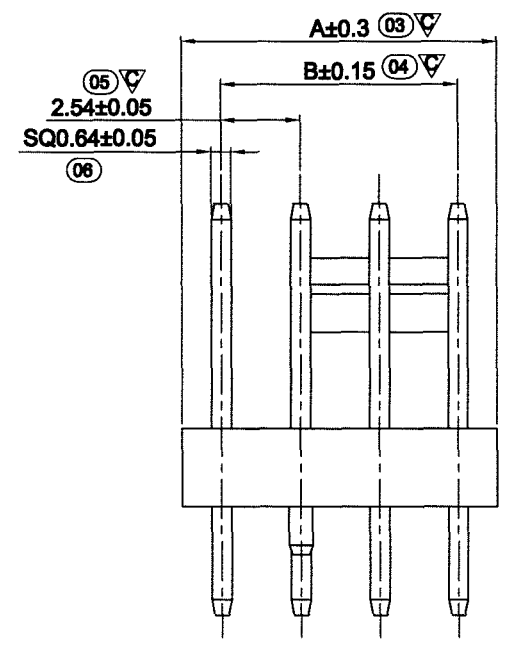




PIN #N



深圳市統通电子有限公司  
2024-06-27  
内部资料 请勿复印



P.C.B LAYOUT (TOP VIEW)  
TOLERANCE: ±0.05

PIN NO.	DIMLINEAR		REV.	ECN NO.	DESCRIPTION	DWN.	APVD.	DATE
	A	B						
03	7.62	5.08	L	BN17121501	新增DIP3.80mm规格	XSY	DLQ	2017.12.15
04	10.16	7.62	M	BN24062701	Change color options	WF	CJM	2024.03.18

NOTES:  
 VOLTAGE RATING: 250 V  
 CURRENT RATING: 3A  
 INSULATION RESISTANCE: 1000 MΩ Min  
 DIELECTRIC WITHSTANDING VOLTAGE: 500 V AC R.M.S  
 CONTACT RESISTANCE: 20mΩ Max.  
 INSULATOR: THERMOPLASTIC. UL94V-0  
 CONTACT: BRASS  
 PLATING: TIN  
 OPERATING TEMPERATURE: -45°C~125°C  
 THE DIM. MARKED "▽" IS IMPORTANT DIMENSION.  
 THE DIM. MARKED "CPK" IS CPK DIMENSION.  
 THE DIM. MARKED "XX" IS FAI DIMENSION AND SERIAL NUMBER.

ORDERING INFORMATION  
WF\*\*R2\*\*\*\*113

PIN NO:  
03~04 PIN

MATERIAL  
 2=PA66+30%G.F  
 J=PA66+30% G.F(H.F)  
 3=PA6T+30%G.F  
 K=PA6T+30%(H.F)  
 5=PA9T+30%G.F

DIP:  
 Q=3.30mm F=2.20mm  
 S=3.50mm l=2.50mm  
 5=3.80mm

PLATING:  
 J=MATTE TIN 100u" Min. OVER  
 NICKEL 50u" Min. OVER ALL  
 A=GOLD FLASH OVER  
 NICKEL 50u" Min. OVER ALL

COLOR:  
 W=WHITE R=RED  
 Y=YELLOW U=BLUE  
 E=GREEN D=NATURE  
 B=BLACK A=BROWN  
 X=BROWN 499C  
 0=SNOWY WHITE  
 F=RED 185C  
 2=GRAY 428C

THE RESTRICTION OF ENVIRONMENTAL MANAGEMENT SUBSTANCES IS BASED ON THE NEW VERSION OF HTQ-S-3Q-83

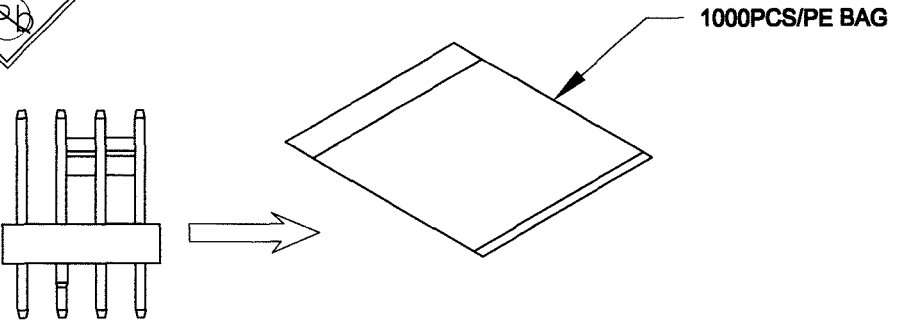
TITLE: WAFER 2.54mm PITCH		<b>HOMETOM</b> www.hometom.com.tw <b>HORNG TONG ENTERPRISE CO.,LTD.</b>	
TOLERANCE	APPROVAL:	UNIT: mm	PART NO: WF**R2****113
LINEAR: X ±0.30 X ±0.25 XX ±0.20	ANGLE: X° ±2° X° ±1° XX° ±0.5°	CHECK:	SIZE: A4
CUSTOMER DRAWING	REV: M	DRAWN:	SCALE: 4:1
		PRJ.:	SHEET: 1 / 2

1 2 3 4 5 6 7 8 9 10

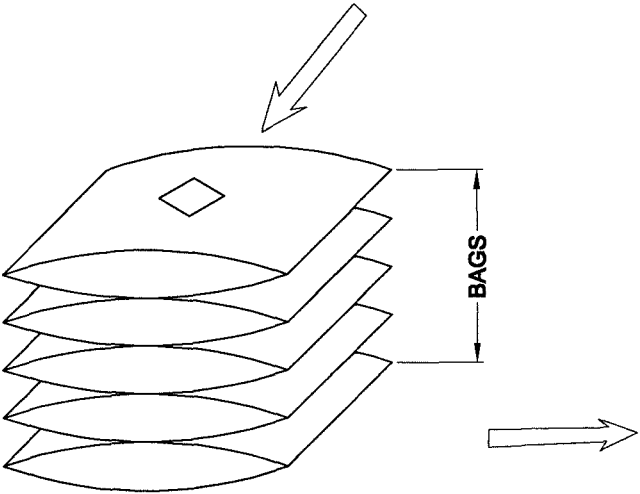
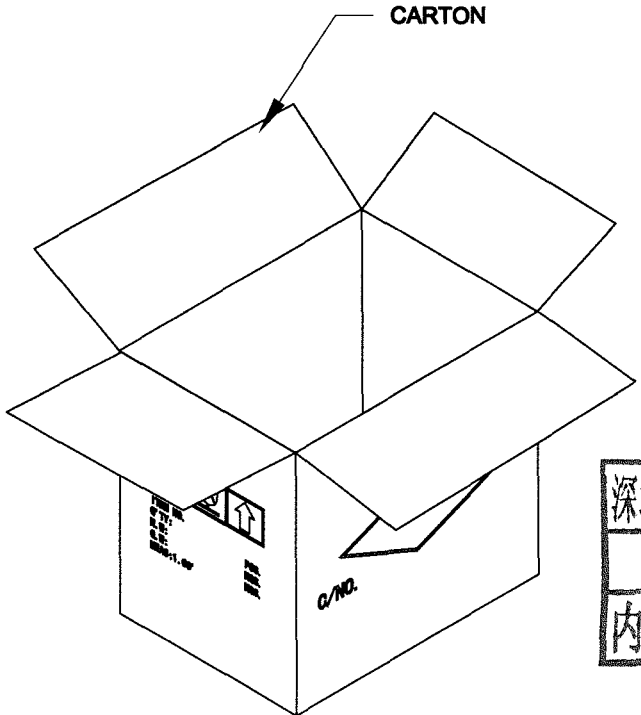
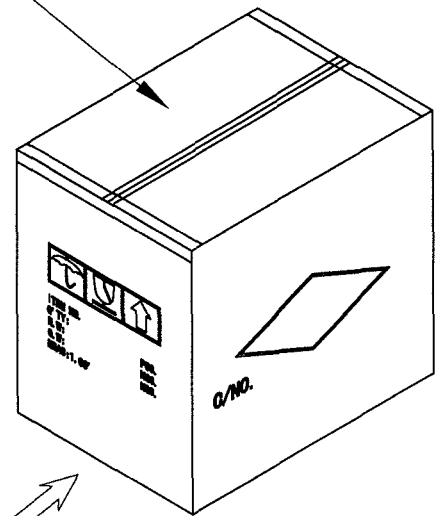


REV.	ECN NO.	DESCRIPTION	DWN.	APVD.	DATE
L	BN17121501	新增DIP3.80mm规格	XSY	DLQ	2017.12.15
M	BN24062701	Change color options	WF	CJM	2024.03.18

A  
B  
C  
D  
E  
F  
G  
H



10PE BAG/CARTON  
10000PCS/CARTON



深圳市統通电子有限公司  
2024-06-27  
内部资料 请勿复印

NOTES:  
MATERIAL, DIMENSIONS :  
CARTON: A=B, 278mm(L)\*120mm(W)\*300mm(H)  
PE BAG: 175\*155\*0.08mm

THE RESTRICTION OF ENVIRONMENTAL MANAGEMENT SUBSTANCES IS BASED ON THE NEW VERSION OF HTQ-S-3Q-83

TITLE: WAFER 2.54mm PITCH		<b>HOMETOM</b> www.hometom.com.tw <b>HORNG TONG ENTERPRISE CO., LTD.</b>			
TOLERANCE		APPROVAL: <i>[Signature]</i>	UNIT: mm	PART NO: WF**R2****113	
LINEAR: X ± 0.30 X ± 0.25 XX ± 0.20	ANGLE: X° ± 2° X° ± 1° XX° ± 0.5°	CHECK: <i>[Signature]</i>	SIZE: A4	DWG.NO: C1280-00	
CUSTOMER DRAWING	REV: M	DRAWN: <i>[Signature]</i>	SCALE: FIT	PRJ.:	SHEET: 2 / 2

深圳市紘通电子有限公司 變更通知(ECN)

深圳市紘通电子有限公司 2024-06-27 内部资料 请勿复印

特急件 急件 一般件 發文部門: 研发 發行日期: 2024.06.27

ECN Form with fields for Product Name (WAFER 2.54mm PITCH), Material No. (WF\*\*R2\*\*\*\*113), Version (L to M), Change Purpose (Correct electrical specifications), and various approval checkboxes.

備注: ECN舊版於新版發行之日起作廢。

HTQ-S-4-10-01-I