

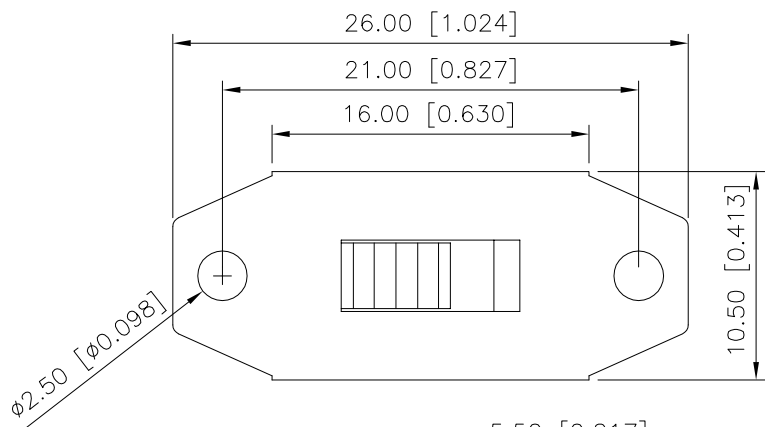
1

2

3

4

REVISIONS					
REV.	ECN NO.	LOCATION	DESCRIPTION	DATE	DESIGN
A0	N/A		INITIAL RELEASE	2024.05.09	



规格 Specification:

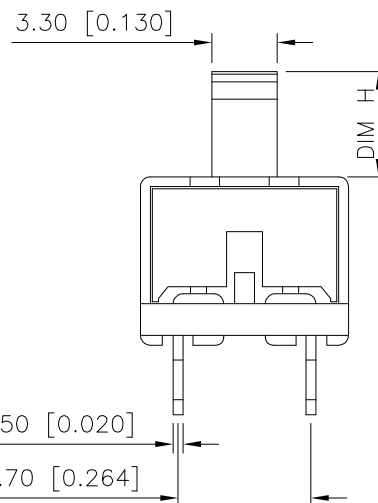
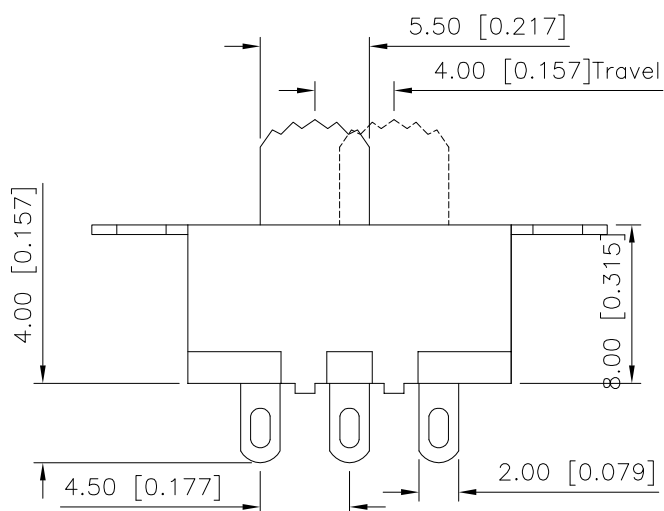
- 1.额定值 Rating:3A 125/250VAC
- 2.接触电阻 Contact resistance: $\leq 30\text{ m}\Omega$
- 3.绝缘电阻 Insulation resistance: $\geq 100\text{ M}\Omega(\text{DC}500\text{V}/\text{Min})$
- 4.电气寿命 Electronics life: $> 10000\text{ cycles}$
- 5.操作力 Operation force: $500\pm 200\text{gf}$
- 6.所有材料符合Rohs要求 All materials are Rohs compliant

A

A

B

B



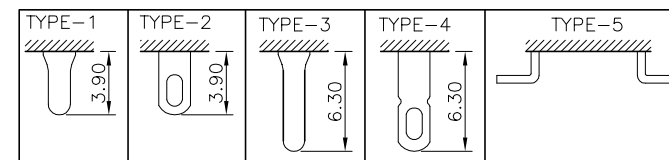
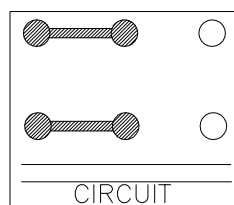
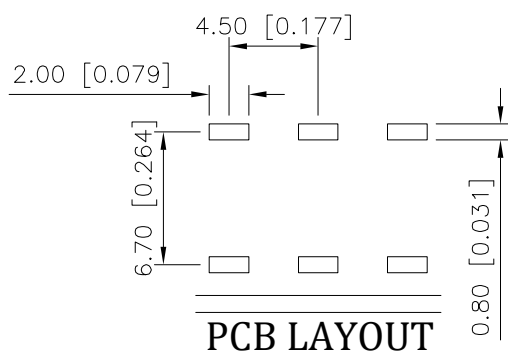
PART NO.:

SS-X 03 22 S G-XX R 2 X X
 ① ② ③ ④ ⑤ ⑥ ⑦ ⑧ ⑨ ⑩ ⑪

- ① SS: 立式拨柄开关;
- ② X: A: 金属外壳;
BLANK: 塑胶外壳;
- ③ 03: 额定值3A;
- ④ 22: 双排两档;
- ⑤ S: 焊线端子;
- ⑥ G: 弧形拨柄;
- ⑦ XX: 拨柄高度H: 3~15mm;
- ⑧ R: 带锁环外壳;
- ⑨ 1: 端子焊脚规格TYPE-1; 2: 端子焊脚规格TYPE-2;
3: 端子焊脚规格TYPE-3; 4: 端子焊脚规格TYPE-4;
5: 端子焊脚规格TYPE-5;
- ⑩ X: 拨柄颜色: B-黑色; W-白色; R-红色
- ⑪ X: 主体颜色: B-黑色; W-白色; R-红色

C

C



D

D

ANGULAR	$\pm 5^\circ$
X.	± 0.40
X.x	± 0.30
X.xx	± 0.20
X.xxx	± 0.15
UNSPECIFIED TOLERANCES	

XKB

DESIGN
CHECKED
APPROVED

桑 葦

VIEW: UNIT: mm/in
SIZE: A4

MODEL TYPE: SLIDE SWITCH
PART NO.: SS-A0322SG-XXR2XX
DWG NO.:

XKB INDUSTRIAL PRECISION CO., LIMITED

SCALE	PAGE	REVISION
N/A	1/1	A0

1

2

3

4