

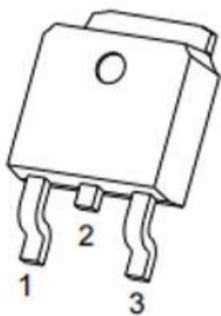
Features

- 3-Terminal regulators
- Maximum Output current 1A
- Output voltage V_o : 5V
- Compact package: TO-252-2L

Applications

- HVAC Systems
- SMPS Post Regulation
- Test and Measurement Equipment
- Industrial Power Supplies

PIN CONFIGURATION



1.VIN
2.GND
3.OUT

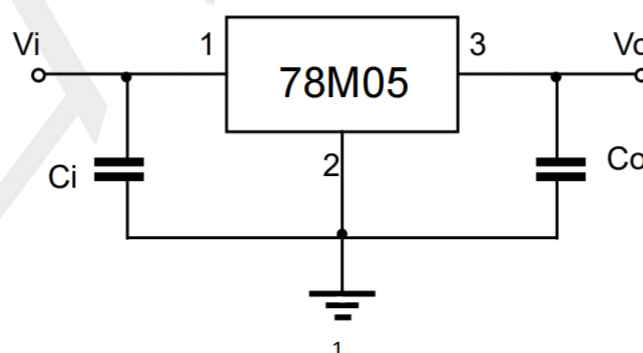
Pin Number	Pin Name	Pin Function
1	VIN	Input of Supply Voltage
2	GND	Ground
3	VOUT	Output of the Regulator

Absolute Maximum Ratings

over operating free-air temperature range (unless otherwise noted)

Symbol	Parameter	Rating	UNIT
VIN	Input voltage	35	V
$R_{\theta JA}$	Thermal Resistance Junction-ambient to Air	80	°C/W
PD	Continuous total dissipation ($T_a = 25\text{ }^\circ\text{C}$)	1.25	W
T_{opr}	Operating Junction Temperature Range	-40~+125	°C
T_{stg}	Storage temperature range	-65~+150	°C

TYPICAL APPLICATION

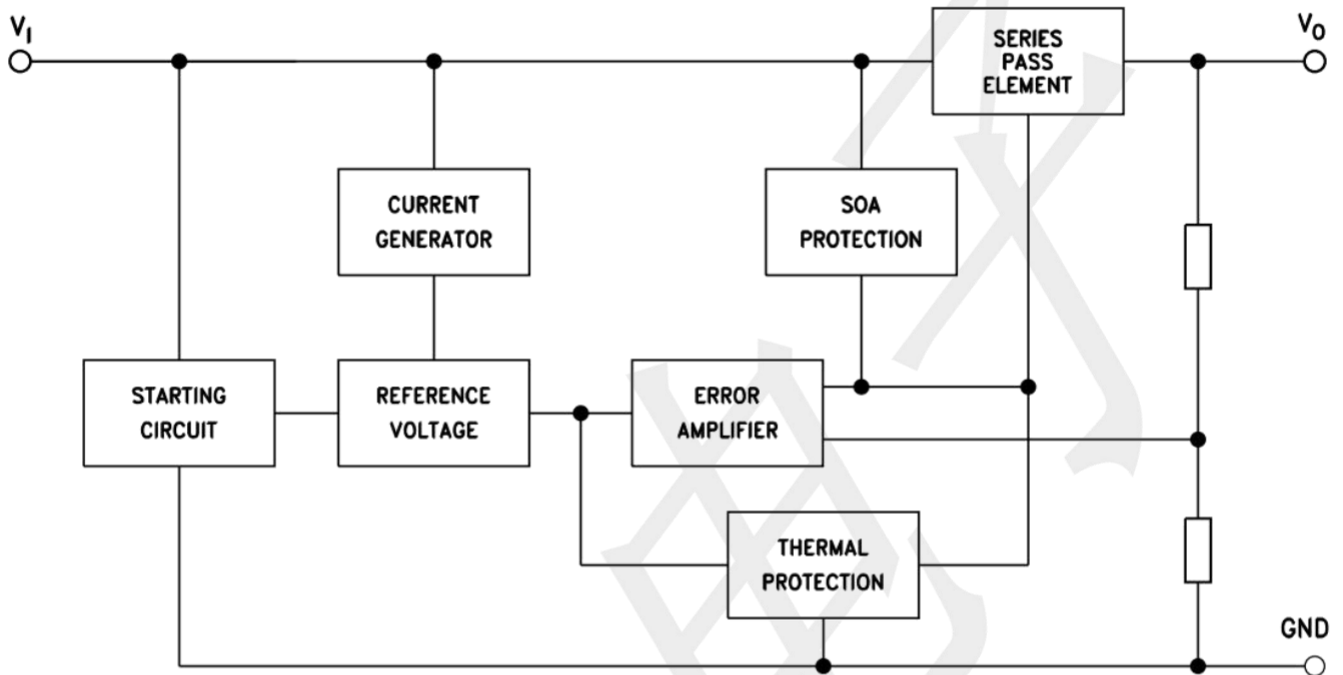


Electrical Characteristics

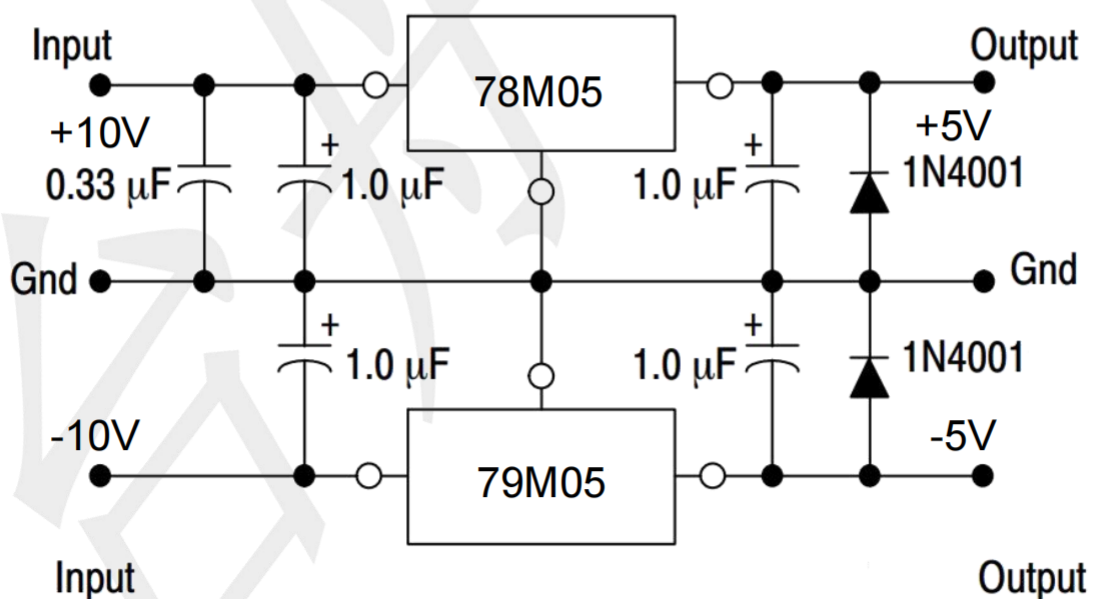
($V_i=10V, I_o=500mA, 0 < T_J < 125^\circ C, C_i=0.33\mu F, C_o=0.1\mu F$, unless otherwise specified)

AMETER	SYMBOL	TEST Conditions	MIN	TYP	MAX	UNIT
DC Output Voltage	VO	T _J =25°C	4.8	5.0	5.2	V
		P _D <15W V _I =8V to 20V, I _O =5mA to 1A	4.75	5.0	5.25	V
Load Regulation	ΔV _O	T _J =25°C I _O =5mA to 1A	--	--	100	mV
		T _J =25°C I _O =250mA to 750mA	--	--	50	mV
Line regulation	ΔV _O	T _J =25°C V _I =7.5V to 25V	--	--	100	mV
		T _J =25°C V _I =8V to 12V	--	--	50	mV
Quiescent Current	I _q	T _J =25°C	--	--	8.0	mA
Quiescent Current Change	ΔI _q	V _I =8V to 25V	--	--	0.8	mA
		I _O =5mA to 1A	--	--	0.5	mA
Output Voltage Drift	ΔV _O /ΔT	I _O =5mA	--	0.8	--	mV/°C
Output Noise Voltage	V _N	T _J =25°C 10Hz≤f≤100KHz	--	42	--	μV/V _O
Ripple Rejection	RR	V _I =8V to 18V, f=120Hz	63	72	--	dB
Dropout Voltage	V _d	I _O =300mA T _J =25°C	--	1.0	--	V
Peak Current	I _{pk}	T _J =25°C	--	1.0	--	A

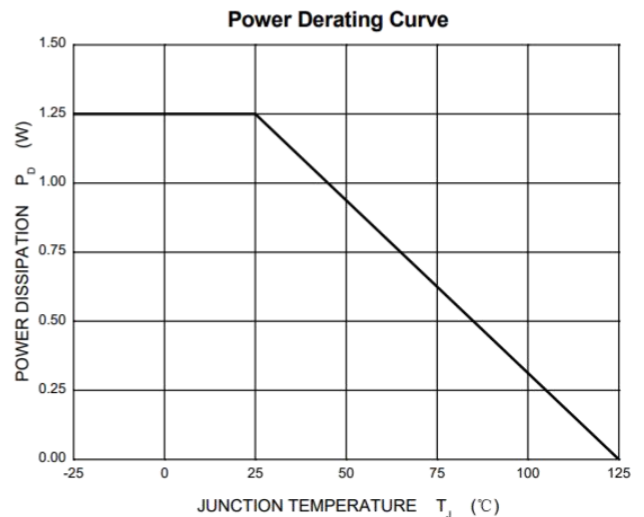
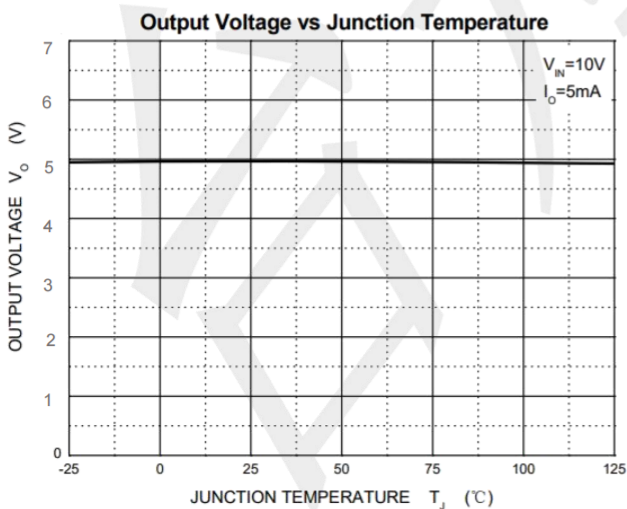
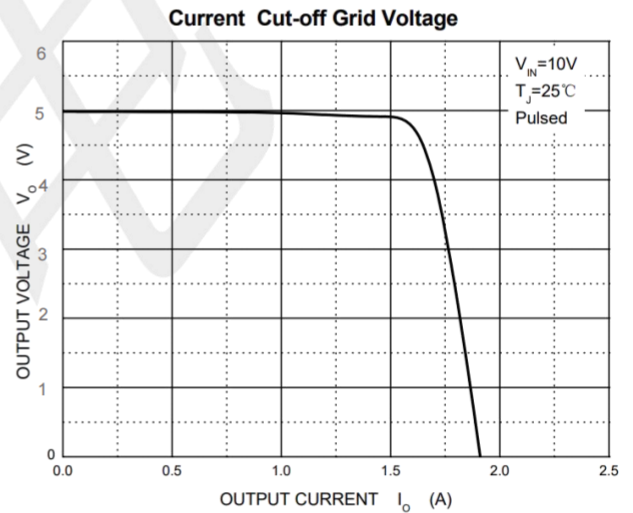
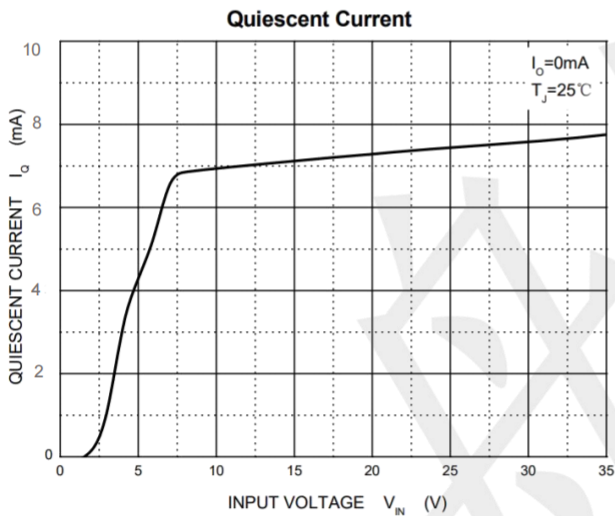
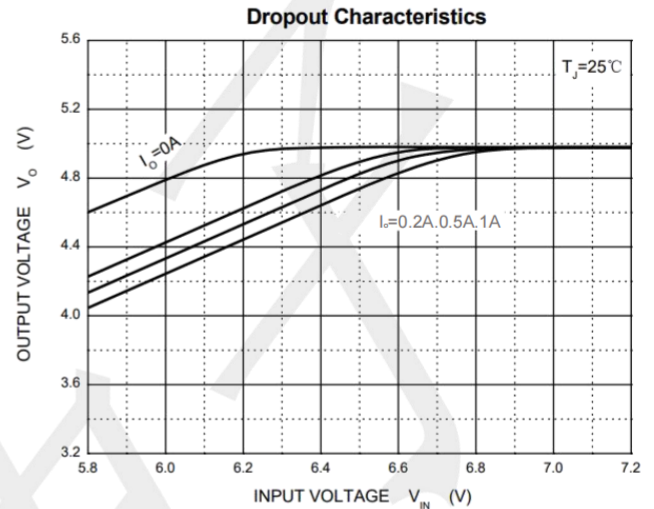
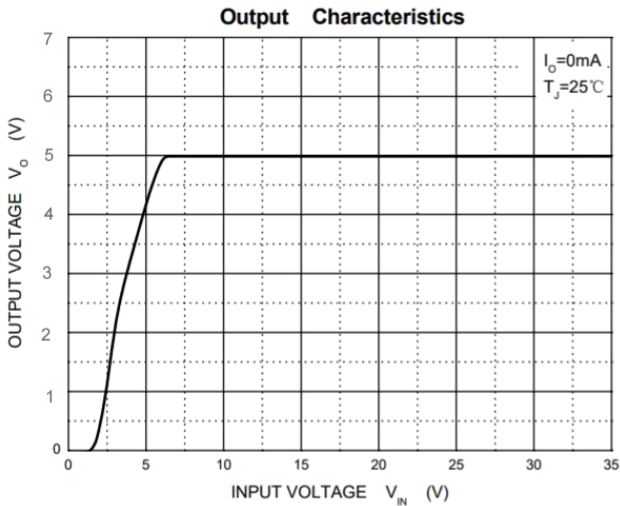
BLOCK DIAGRAM



Typical Application Circuit

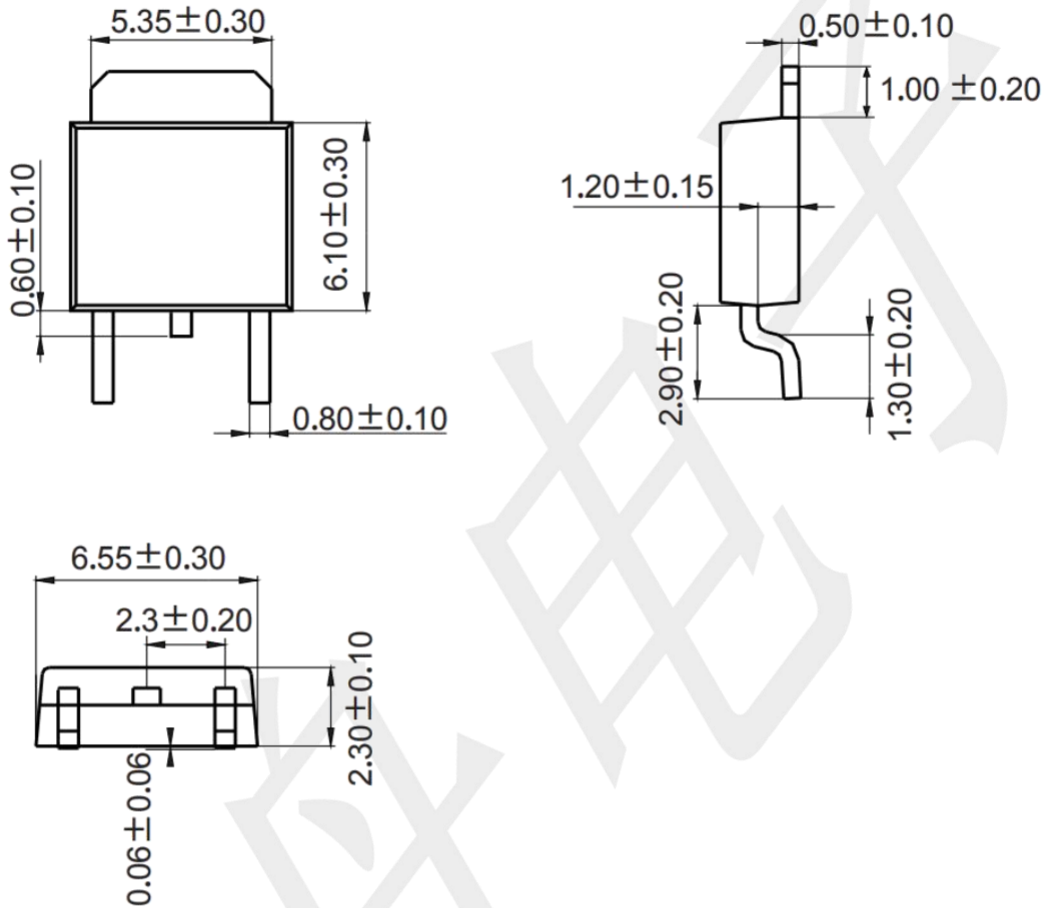


Typical Operating Characteristics (25 °C, unless otherwise noted)



Package Outline Dimensions (unit: mm)

TO-252-2L



Mounting Pad Layout (unit: mm)

