

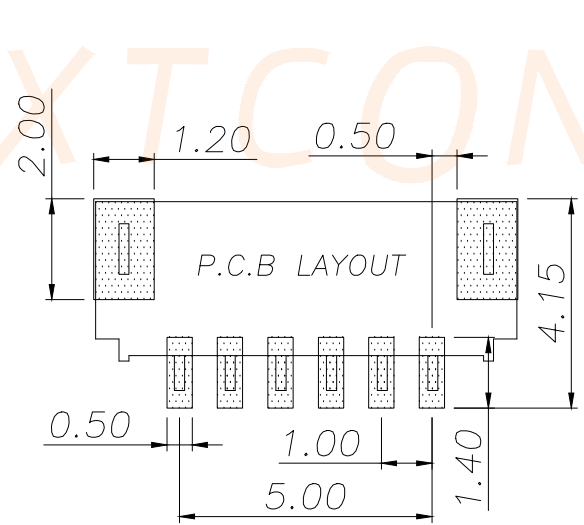
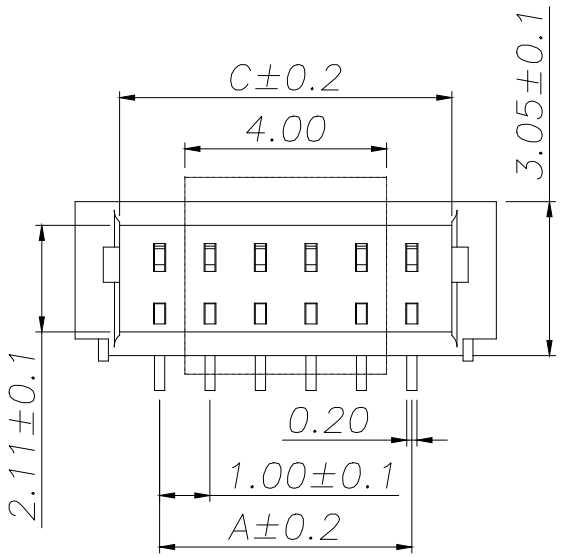
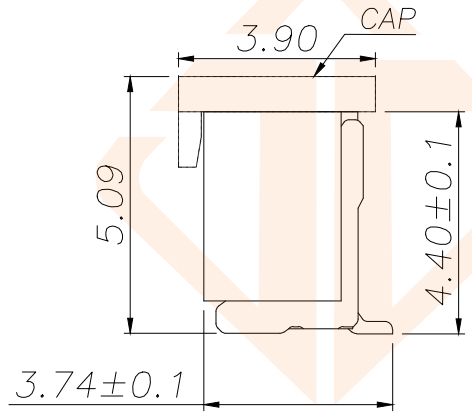
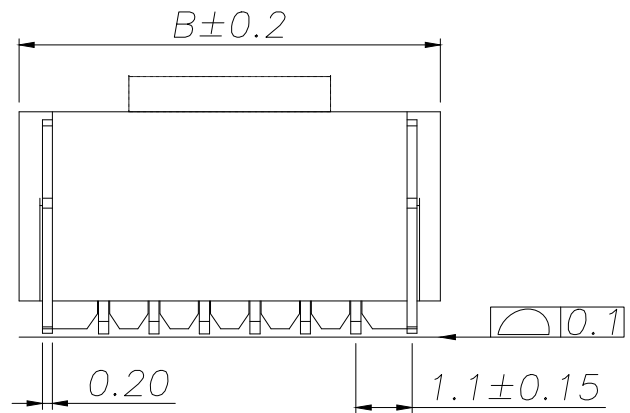
| REV. | ECN NO. | DESCRIPTION | DATE | DESIGN |
|------|---------|-------------|------|--------|
| | | | | |

NOTES:

- 1.BASE: LCP
- 2.PIN: Brass
- 3.Solder Tab: Brass

SPECIFICATIONS:

- 1.Spacing: 1.0
- 2.Voltage Rating: 50V AC DC
- 3.Current Rating: 1A AC DC
- 4.Insulation Resistance: 100MΩ Min
- 5.Contact Resistance: 20mΩ Max
- 6.Withstanding voltage: 500V AC 1/Minute
- 7.Temperatuer Range: -25℃ ~+ 85℃



| Part No | Pin | A | B | C |
|------------------|-----|-------|-------|-------|
| D100F1L1-2W2P43 | 2 | 1.00 | 4.35 | 2.60 |
| D100F1L1-2W3P43 | 3 | 2.00 | 5.35 | 3.60 |
| D100F1L1-2W4P43 | 4 | 3.00 | 6.35 | 4.60 |
| D100F1L1-2W5P43 | 5 | 4.00 | 7.35 | 5.60 |
| D100F1L1-2W6P43 | 6 | 5.00 | 8.35 | 6.60 |
| D100F1L1-2W7P43 | 7 | 6.00 | 9.35 | 7.60 |
| D100F1L1-2W8P43 | 8 | 7.00 | 10.35 | 8.60 |
| D100F1L1-2W9P43 | 9 | 8.00 | 11.35 | 9.60 |
| D100F1L1-2W10P43 | 10 | 9.00 | 12.35 | 10.60 |
| D100F1L1-2W11P43 | 11 | 10.00 | 13.35 | 11.60 |
| D100F1L1-2W12P43 | 12 | 11.00 | 14.35 | 12.60 |
| D100F1L1-2W13P43 | 13 | 12.00 | 15.35 | 13.60 |
| D100F1L1-2W14P43 | 14 | 13.00 | 16.35 | 14.60 |
| D100F1L1-2W15P43 | 15 | 14.00 | 17.35 | 15.60 |
| D100F1L1-2W16P43 | 16 | 15.00 | 18.35 | 16.60 |
| D100F1L1-2W20P43 | 20 | 19.00 | 22.35 | 20.60 |

| | | | |
|------------|-----------|--|------------------------|
| TOLERANCE | | 深圳聚兴泰电子科技有限公司 Shenzhen Juxingtai Electronic Technology Co., Ltd | |
| X.X ±0.30 | X.* ±5° | PART NO. | TITLE: |
| .XX ±0.20 | X.* ±3° | D100F1L1-2WXP43 | WAFER 1.00 立贴 |
| .XXX ±0.10 | X.XX* ±1° | DESIGN: Ethan | MANUFACTURE DWG |
| UNITS | mm | CHED: Olvia | SCALE SHEET N:A 1/1 |
| MATERILA | --- | APPD: Ava | |
| FINISH | --- | | |