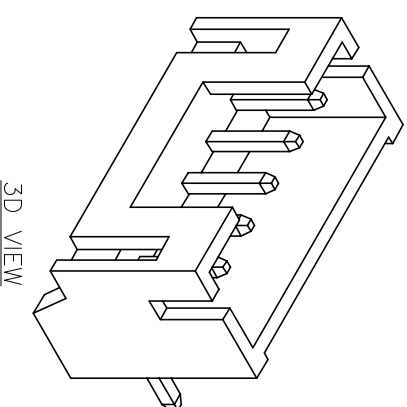
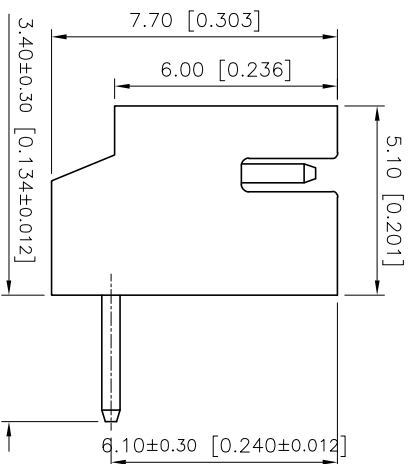
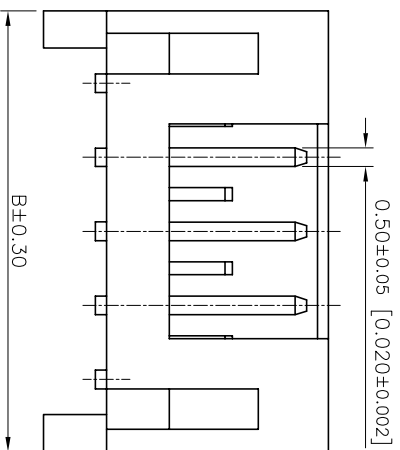
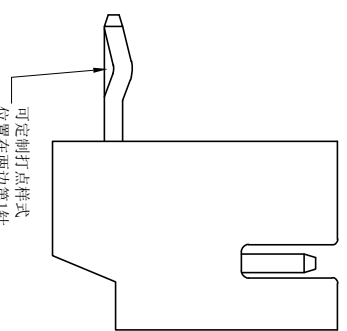
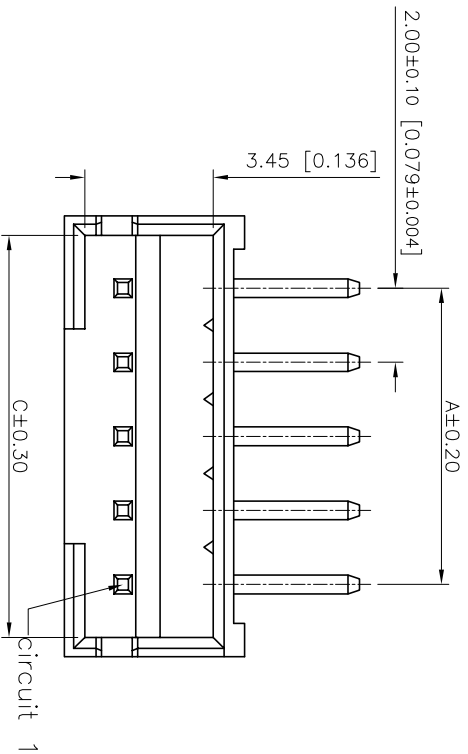


REVISIONS					
REV.	ECN NO.	LOCATION	DESCRIPTION	DATE	DESIGN
A0	N/A		INITIAL RELEASE	2024.02.29	

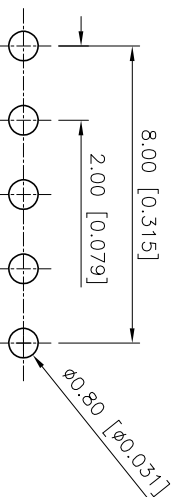
- Specifications (规格):
1. Voltage rating (额定电压): 250V AC DC
  2. Current rating (额定电流): 2.0A AC/DC
  3. Withstanding voltage (耐压值):  $\geq 800V$  AC/minute
  4. Insulation resistance (绝缘电阻):  $1000M\Omega$  Min
  5. Contact resistance (绝缘电阻):  $20m\Omega$  Max
  6. Temperature range (使用温度):  $-25^{\circ}C \sim +85^{\circ}C$



PART NO.:

X2016 W R-XX K-NO SN

- ① Series No
- ② Category: W-Wafer
- ③ Welding Board Angle: R-Straight 90°
- ④ Row No-Pin: XX-02P~20P
- ⑤ Plug The Pink&Special NO:K-Kink; K1-Reverse Kink;
- ⑥ Material: NO-PA66 UL94V-0
- ⑦ Plating: SN-Bright Tin Plated



PCB LAYOUT

NUMBER OF POSITIONS	DIM.A	DIM.B	DIM.C	NUMBER OF POSITIONS	DIM.A	DIM.B	DIM.C
02	2.00	6.00	5.00	12	22.00	26.00	25.00
03	4.00	8.00	7.00	13	24.00	28.00	27.00
04	6.00	10.00	9.00	14	26.00	30.00	29.00
05	8.00	12.00	11.00	15	28.00	32.00	31.00
06	10.00	14.00	13.00	16	30.00	34.00	33.00
07	12.00	16.00	15.00	17	32.00	36.00	35.00
08	14.00	18.00	17.00	18	34.00	38.00	37.00
09	16.00	20.00	19.00	19	36.00	40.00	39.00
10	18.00	22.00	21.00	20	38.00	42.00	41.00
11	20.00	24.00	23.00				

www.hellokko.com www.hellokko.cn www.kk-dg.cn

X2016WR-XXK-NOSN	PART NO.	PA66 UL 94V-0	MATERIAL	BRASS	TIN-PLATED	X2016H
						Suitable KKB Terminal

**KKK**

DESIGN	桑葚	VIEW:	MODEL TYPE:
CHECKED		UNIT: mm/in	1.50mm Crimp Style Connector
APPROVED		SIZE: A4	PART NO.:
			X1502WR-XXK-NOSN
			DWG NO.:

KKB INDUSTRIAL PRECISION CO., LIMITED

SCALE	PAGE	REVISION
N/A	1/1	A0