

1.SPECIFICATIONS

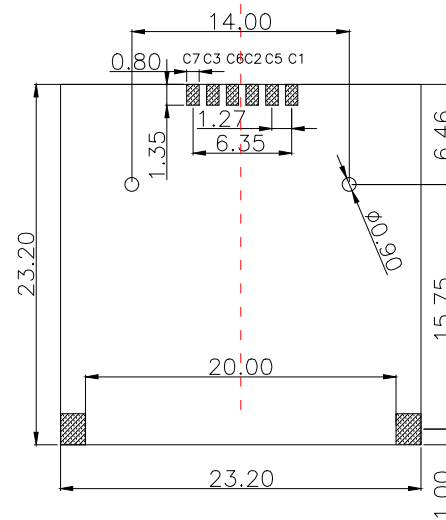
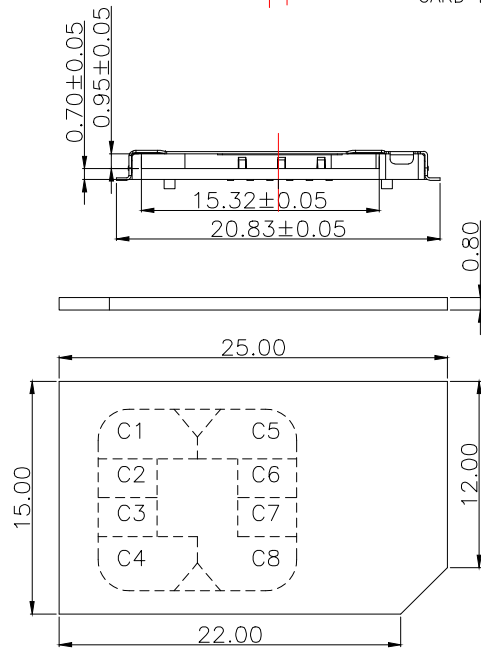
INSULATION RESISTANCE: 500M min.AT DC 500V DC
 WITHSTANDING VOLTAGE: 250V ACrms FOR 1 MINUTE
 CONTACT RESISTANCE: 100M max. AT 10mA/20mV max
 CURRENT RATING: 0.5A
 VOLTAGE RATING: 5.0 vrms
 OPERATING TEMP.RANGE:-55℃ ~ +85℃
 MATING CYCLES: 5000 INSERTIONS

2.MATERIAL:

INSULATOR: H-TEMPERATURE PLASTIC,UL 94V-0,
 COLOR"BLACK
 TERMINAL: COPPER ALLOY,T=0.15mm
 SHELL: STAINLESS STEEL,T=0.15mm

3.FINISH:

TERMINAL:50u" min NICKEL UNDERPLATED ON ALLOVER,GOLD PLATING
 ON CONTACT ARER, 80u"min TIN ON SOLDER TAIL.
 SHELL:50u" NICKEL UNDERPLATED ON ALLOVER, GOLD FLASH ON SOLDER
 LATCH




▨ PAD AREA

■ KEEP OUT AREA

RECOMMENDED PCB LAYOUT
 GENERAL TOLERANCE ±0.05

MINI SIM CARD	
Pin No.	NAME
C1	VCC OF SIM
C2	RST OF SIM
C3	CLK OF SIM
C5	GND OF SIM
C6	VPP OF SIM
C7	I/O OF SIM
C4/C8	N/A

MANUFACTURE DWG		ZX-SIM-481.85J-6	
UNLESS OTHERWISE SPECIFIED TOLERANCES		 兆星精密	TITLE:MINI SIM CARD PUSH PUSH 6P SMT有柱
			PAR
DECIMALS:	ANGLES:±1°	DWN	
X.X:±0.25		CHKD	
X.XX:±0.10		APVD	
X.XXX:±0.05		SCALE:1:1	UNIT:MM
		SIZE:A4	SHEET:1F1
		CUSTOMER COPY	REV:A