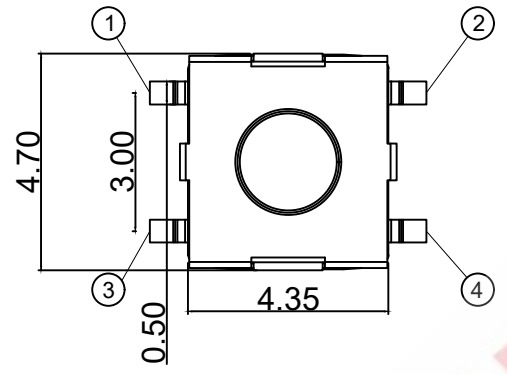
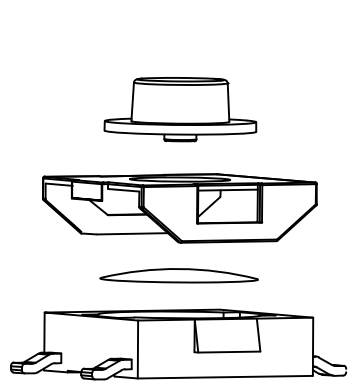
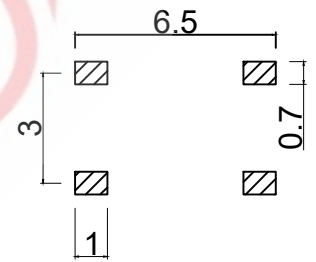


SAMZO REAC/ROHS

REV	ECN NO	DESCRIPTION	DESIGN	APPROVAL	DATE
A1	NEW	Replace frame			2018.06.12



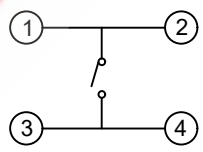
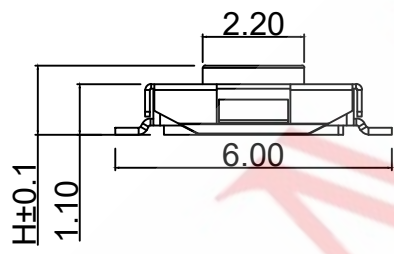
H	
1.5	2.0
2.5	



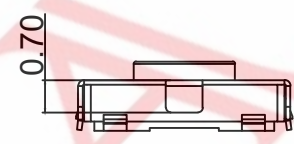
PCB. 焊接图

E 4 B ** * 1 1 0
 A B C D E F G H

- A. 系列: E-4. 5*4. 5mm
- B. 贴装方式: 4-立式贴片
- C. 引脚规格: B-4PIN
- D. 操作高度: 15-1. 5/20-2. 0/25-2. 5mm
- E. 操作力度: 1-160/2-250gf
- F. 操作寿命: 1-100, 000/次
- G. 固定方式: 1-无住
- H. 物料编码: 0-常规



电路图



序号	零件名称	材料规格	数量	备注
5	引脚、触点	磷铜	1	镀银
4	基座	PPA	1	耐高温280℃ (黑色)
3	簧片	不锈钢	1	覆银
2	盖板	不锈钢	1	/
1	按钮	LCP	1	/

主要技术参数、性能

The Main Thchnology Performance

额定电流、电压 Rate voltage, current	50mA DC12V
接触电阻 Contact resistance	≤50mΩ
按力 Operating force	±30gf
行程 Travel	0.20±0.10mm
绝缘电阻 Insulated resistance	≥100MΩ
介电强度 Dielectric strength	≥250VAC/1min

GENERAL TOLERANCE			
DESIGN	WANGGUIFA	2018.06.12	≥0~2< ±0.15
CHECKED	ZHENGUILAN	2018.06.12	≥2~5< ±0.25
APPROVED	LILIANJIANG	2018.06.14	≥0~2< ±0.15
			≥5 ±0.35

FIRST VIEW

SCALE 1:1 UNIT mm

SAMZO COMPONENTS
Electronic switch and connector manufacturer

The copyright belongs to samzo parts [China] Co., Ltd. please use the material after samzo parts agree to authorize. The final right of interpretation belongs to samzo parts. WWW.KKK-JP.COM

TITLE: 4. 5*4. 5*H SMT 超薄系列

DWG NO: E4B15-P110

PART NO: E4P1500037

MODEL NO: E4P-**-**-110

NAME: TACT SWITCH