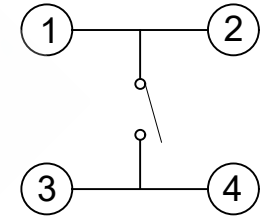
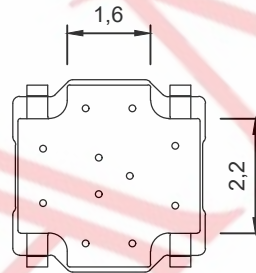
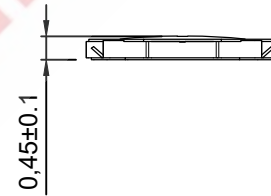
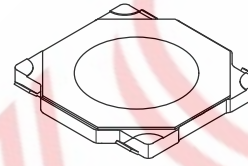
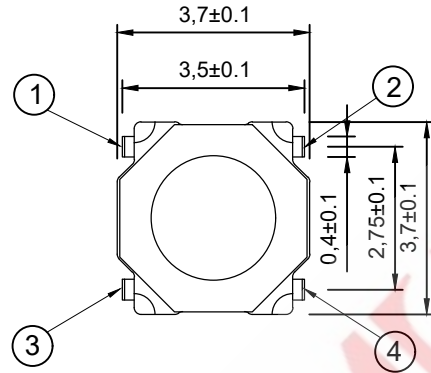
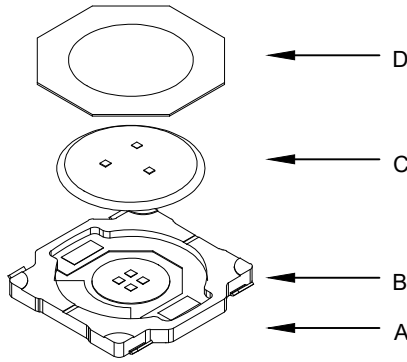
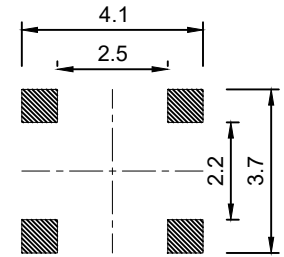


SAMZO REAC/ROHS

REV	ECN NO	DESCRIPTION	DESIGN	APPROVAL	DATE
A1	NEW	Replace frame			2018.06.12



电路图
CIRCUIT DIAGRAM



PCB. 焊接图
PCB. WELDING DRAWING

U3 4 E 35 * * 1 0
A B C D E F G H

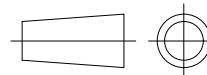
- A. 系列:U3-3.7*3.7mm薄膜
- B. 贴装方式:4-立式贴片
- C. 引脚规格:E-4PIN平贴
- D. 操作高度:35-0.35mm
- E:操作力度:1-180/2-260gf
- F:操作寿命:1-30,000/2-100,000/3-500,000次
- G:固定方式:1-无住
- H:物料编码:0-常规

主要技术参数、性能
The Main Thchnology Performance

额定电流、电压 Rate voltage,current	50mA DC12V
接触电阻 Contact resistance	≤100mΩ
按力 Operating force	±50gf
行程 Travel	0.15±0.10mm
绝缘电阻 Insulated resistance	≥100MΩ
介电强度 Dielectric strength	≥250VAC/1min

DESIGN	WANGGUIFA	2018.06.12	≥0~2<	±0.15	
CHECKED	ZHENGUILAN	2018.06.12	≥2~5<	±0.25	
APPROVED	LILIANJIANG	2018.06.14	≥0~2<	±0.15	
			≥5	±0.35	

FIRST VIEW



The copyright belongs to samzo parts [China] Co., Ltd. please use the material after samzo parts agree to authorize. The final right of interpretation belongs to samzo parts.
WWW.KKK-JP.COM

TITLE: 3.7*3.7*0.35 薄膜平贴翘脚

DWG NO: U343-P0076

PART NO: U3433506

MODEL NO: U34E35-*-*-10

NAME: TACT SWITCH

SAMZO COMPONENTS
Electronic switch and connector manufacturer

SCALE 1:1 UNIT mm

GENERAL TOLERANCE