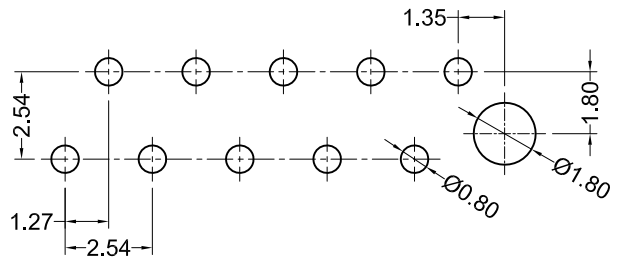
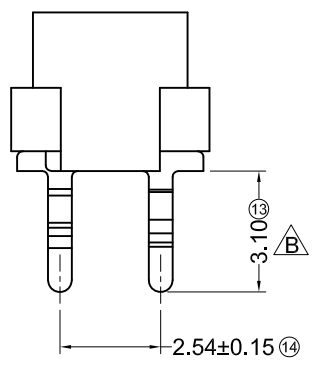
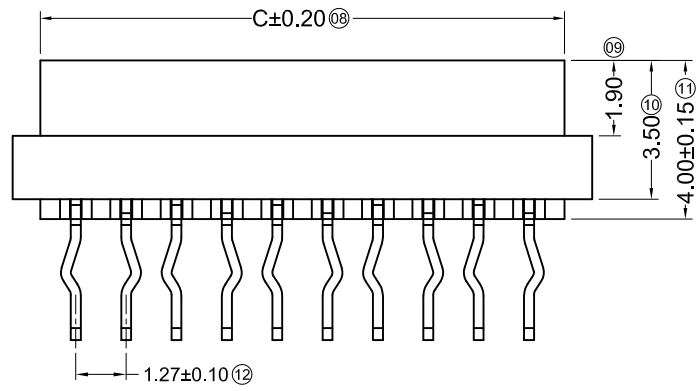
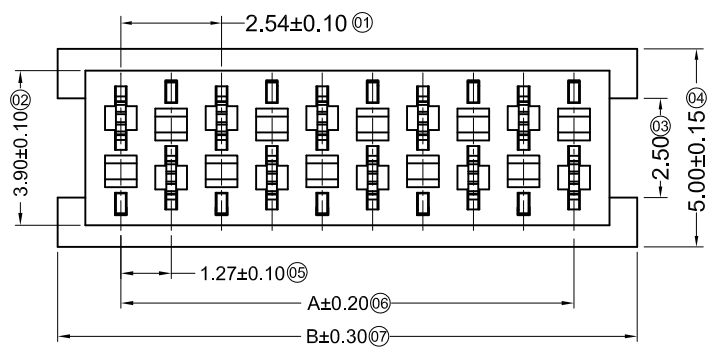


1 2 3 4 5 6 7 8

A
B
C
D
E
F



Recommended P.C.B LAYOUT(Top Side)
(PCB BOARD TOLERANCE±0.05)

Specifications :

- Voltage rating: 500V AC / DC
- Current rating: 1A AC / DC
- Withstanding voltage: 1000V AC/minute
- Temperature range: -40°C~+105°C
- Insulation resistance: ≥1000MΩ
- Contact resistance: ≤20mΩ
- After environmental testing: ≤30mΩ

X9127 W V X-XX A2-9T SN XX

① ② ③ ④ ⑤ ⑥ ⑦ ⑧ ⑨

- ① Series No.
- ② Category: W-wafer
- ③ Welding Board Angle: V- Straight 180°
- ④ Welding Way: Blank-DIP
- ⑤ Row No.-Pin No.: XX-04P~26P
- ⑥ Plug the Pin & Special No.: A2-Double Deficiency
- ⑦ Material: 9T-Nylon 9T 94V-0
- ⑧ Planting Category: SN-Bright tin plating
- ⑨ Color: RE-Red RD-purplish red

Poles	Dimensions(mm)			Poles	Dimensions(mm)		
	A	B	C		A	B	C
04	3.81	7.00	5.60	16	19.05	22.24	20.84
06	6.35	9.54	8.14	18	21.59	24.78	23.38
08	8.89	12.08	10.68	20	24.13	27.32	25.92
10	11.43	14.62	13.22	22	26.67	29.86	28.46
12	13.97	17.16	15.76	24	29.21	32.40	31.00
14	16.51	19.70	18.30	26	31.75	34.94	33.54

X9127WV-XXA2-9TSNRD	Purplish red	PA9T UL 94V-0	Brass	Tin-Plated
X9127WV-XXA2-9TSNRE	Red			
PART NO	Color	Material	Material(Pin)	Finish(Pin)

For and on behalf of
XKB INDUSTRIAL PRECISION CO., LIMITED
香港星坤工業精密有限公司

△ X					ANGULAR	±5°
△ X					L ≤ 4	±0.2
△ X					4 < L ≤ 16	±0.3
△ X					16 < L ≤ 63	±0.4
MARK	DESCRIPTION	DATE	REVISED	APPROVED	L > 63	±0.5

REVISIONS
Authorized Signature(s)

DSND		DATE		SCALE: N/A	MODEL TYPE: X9127WV-XXA2-9TSNXX
DWN		DATE		VIEW:	PART NO.:
CHKD		DATE		UNIT: mm	1.27 mm Crimp Style Connectors
APPD		DATE		SIZE: A4	DWG NO.:

XKB INDUSTRIAL PRECISION CO., LIMITED			WEIGHT	SHEET	REVISION
			1.0g	1/1	A0

1 2 3 4 5 6 7 8