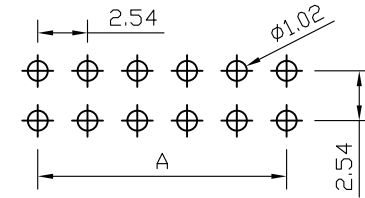
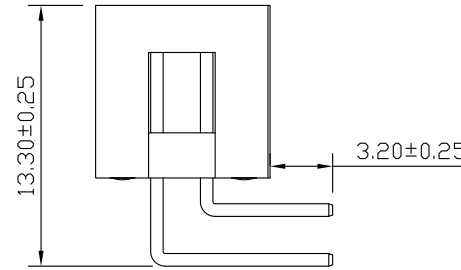
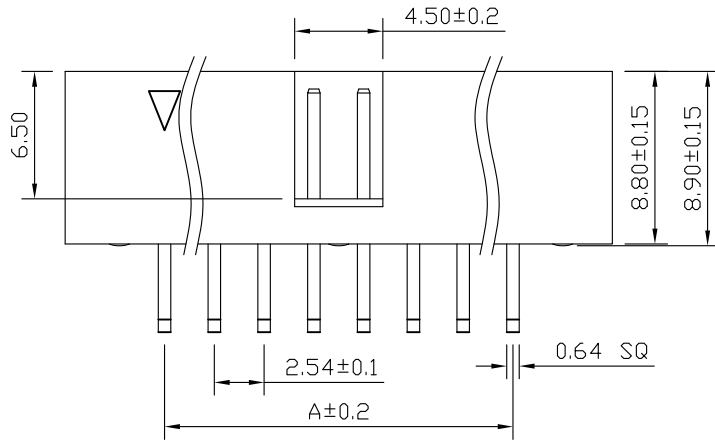
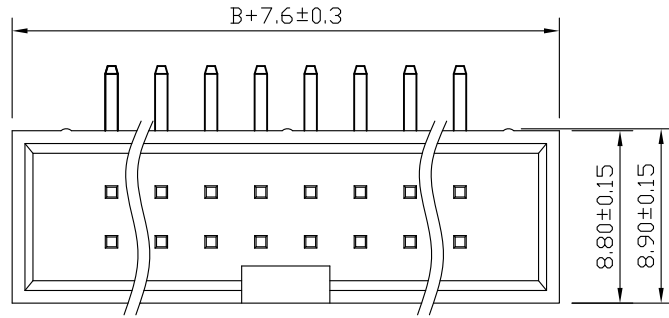


SPECIFICATIONS

Current Rating: 3Amps
 Insulation Resistance: 1000MΩ Min
 Contact Resistance: 20mΩ Max
 Withstanding Voltage: AC 1000V
 Operation Temperature: -40° to +105°
 Contact Material: Brass
 Insulator Material: Polyester (UL 94V-0)
 Contact plating: Gold Flash
 Standard: PA6T
 Max. Processing Temp: 240° C for 30-60 seconds
 (260° C for 10 seconds)



RECOMMEND P. C. B LAYOUT
 PCB TOLERANCE: ± 0.05 (TOP VIEW)



深圳市首韩科技有限公司

| No. of | DIM. A | DIM. B | No. of | DIM. A | DIM. B | No. of | DIM. A | DIM. B |
|--------|--------|--------|--------|--------|--------|--------|--------|--------|
| 6 | 5.08 | 7.62 | 20 | 22.86 | 25.40 | 36 | 43.18 | 45.72 |
| 8 | 7.62 | 10.16 | 24 | 27.94 | 30.48 | 40 | 48.26 | 50.80 |
| 10 | 10.16 | 12.70 | 26 | 30.48 | 33.02 | 44 | 53.34 | 55.88 |
| 12 | 12.70 | 15.24 | 28 | 33.02 | 35.56 | 50 | 60.96 | 63.50 |
| 14 | 15.24 | 17.78 | 30 | 35.56 | 38.10 | 60 | 73.66 | 76.20 |
| 16 | 17.78 | 20.32 | 32 | 38.10 | 40.64 | 64 | 78.74 | 81.28 |
| 18 | 20.32 | 22.86 | 34 | 40.64 | 43.18 | | | |

UNLESS OTHERWISE SPECIFIED TOLERANCE

X : ± 0.30 X° : $\pm 5^\circ$
 X.X : ± 0.25 X.X° : $\pm 1^\circ$
 X.XX : ± 0.20 X.XX° : $\pm 0.5^\circ$

DRAWN NAME:

SH-JN2.54-2-3P-W

| SIZE | A4 | SCALE | N:1 | PROUCT NO. |
|------|----|-------|-----|------------|
| REV | A | UNIT | mm | PROJECT |



PAGE 1/1

DRAWN : 李春风 2020.6.24
 CHECKED : 钟华华 2020.6.24
 APPROVED : 罗孝金 2020.6.24