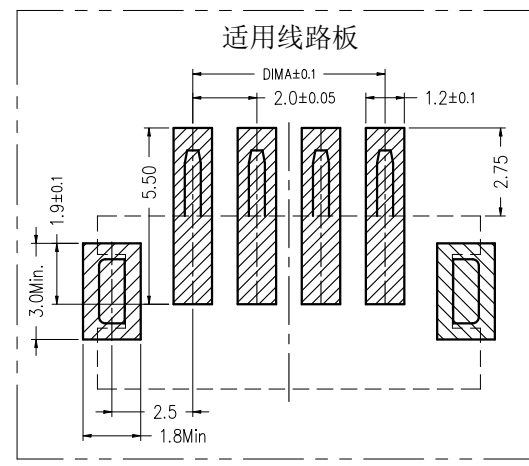
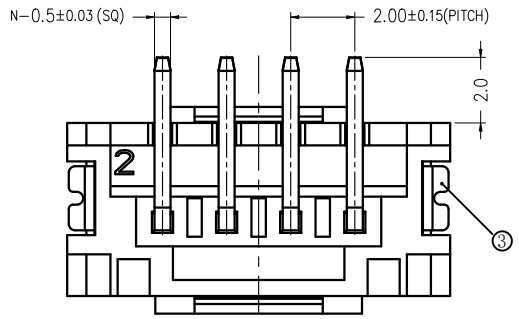
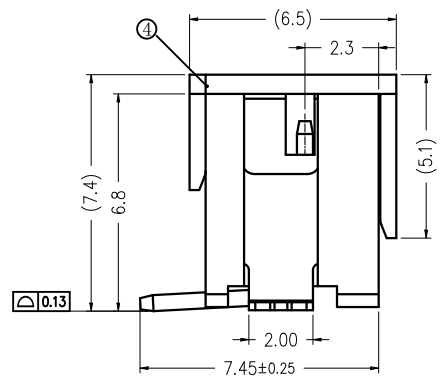
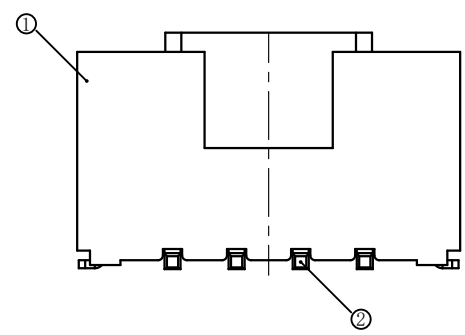
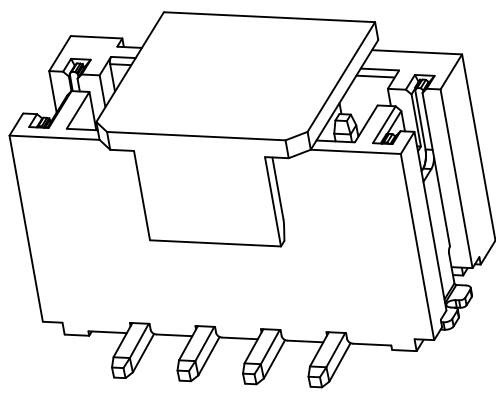
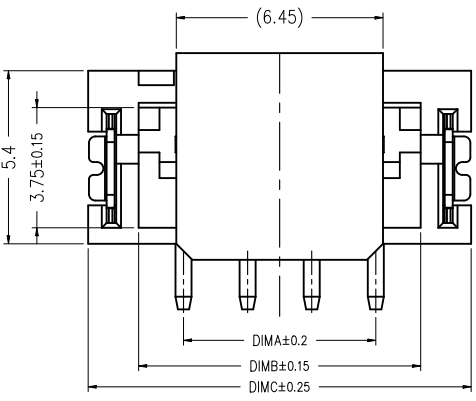


版次	变更摘要	日期
0	新产品发行	2017/01/02
1	胶芯主体设变改善成品共面度	2018/08/22
2	更改焊片料带结构,提升组装折料带效率	2021/07/13
3	料号变更	2024/09/25

序号	品名	材质
①	2.00 F型立式WTB胶芯 2.00Pitch S/T Wire To Board Housing(H=6.8)	LCP UL94V-0 本色 Natural
②	2.00 F型立式WTB端子 2.00 Pitch S/T Wire To Board Terminal(H=6.8)	铜合金/表面镀锡 Copper Alloy/ Tin Plating
③	2.00 F型立式WTB焊片 2.00 Pitch S/T Wire To Board Fitting Nail(H=6.8)	铜合金/表面镀锡 Copper Alloy/ Tin Plating
④	2.00 F型立式WTB吸盖 2.00 Pitch S/T Wire To Board Cover(H=6.8)	LCP UL94V-0 本色 Natural



技术指标(Technical Index):

- 塑件表面应光洁、无毛边、无明显收缩、缺陷、裂纹等现象。
(The surface of the plastic parts should be smooth, no rough edges, no obvious shrinkage, defects, cracks and other phenomena)
- 不同pin位吸盖加入/取出力有差异, 实属正常现象。
(It is normal than there are difference between suction cap and suction cap at different Pin postitions)
- 温度范围(Temperature range): -40° C~85° C.
- 额定电压(Rated voltage): 200V, AC.
- 接触电阻(Contact resistance):
≤55mΩ (initial) per contact, ≤25mΩ Change allowed.
- 绝缘电阻(Insulation resistance): ≥1000MΩ.
- 产品料号(Product material No.):

WT200FIL-***-***-***
 NO OF CKT(产品PIN数) 流水码
 Plating(电镀方式) Packing(包装方式)
 0:端子全雾锡 T:TUBE管装
 (Terminal all mist tin) R:TAPE & REEL卷装
 1:端子全金 C:TAPE & REEL WITH
 (Terminal G/F OVER ALL) COVER加盖卷装
 3:端子全亮锡 (Terminal all bright tin)

CKT	DIM A	DIM B	DIM C
2	2.00	4.80	7.95
3	4.00	6.80	9.95
4	6.00	8.80	11.95
5	8.00	10.80	13.95
6	10.00	12.80	15.95
7	12.00	14.80	17.95
8	14.00	16.80	19.95
9	16.00	18.80	21.95
10	18.00	20.80	23.95
11	20.00	22.80	25.95
12	22.00	24.80	27.95
13	24.00	26.80	29.95
14	26.00	28.80	31.95
15	28.00	30.80	33.95
16	30.00	32.80	35.95
17	32.00	34.80	37.95
18	34.00	36.80	39.95
19	36.00	38.80	41.95
20	38.00	40.80	43.95



一般公差(TOLERANCE)
 X. ±.50 .XX ±.10
 X. ±.20 .XXX ±.05
 ANGLES ±1'

ZGWD 浙江温达电子有限公司
 ZHEJIANG WENDA ELECTRONICS CO., LTD

品名(TITLE)	2.00 Pitch F型立式WTB	制图(DR)	ANLAN
料号(DWG.NO)	WT200FIL-****-***	校对(CHKD)	田峰
比例(SCALE)		审核(APPD)	黄志明
单位(UNITS)	mm	张数(SHEET)	1 OF 1
		SIZE	A4
		REV	A