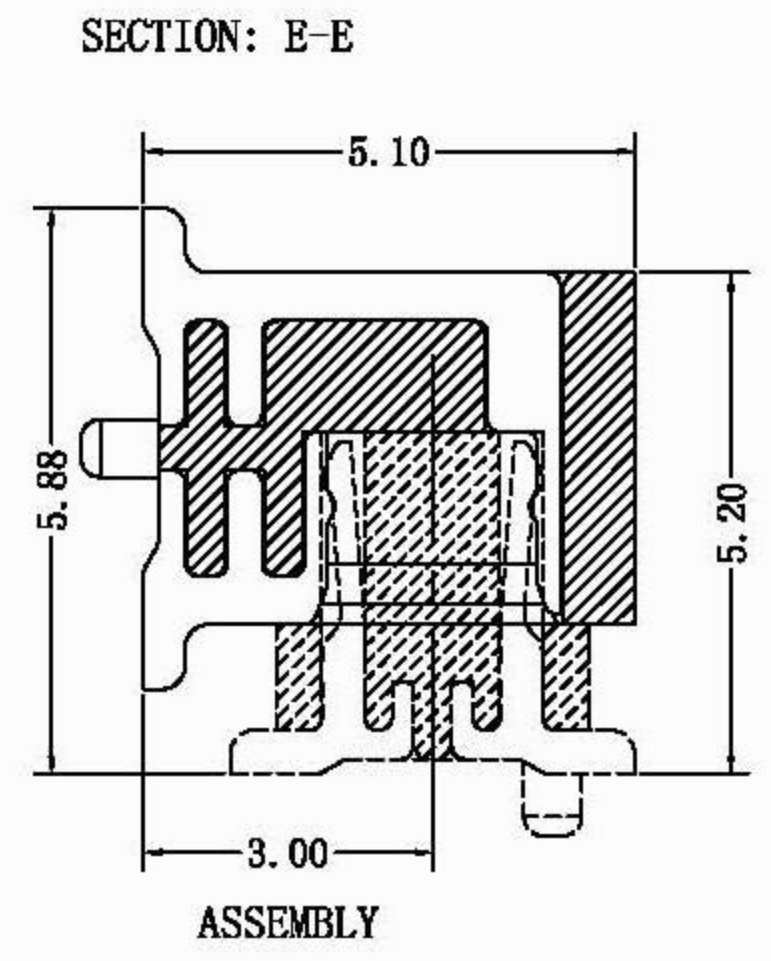
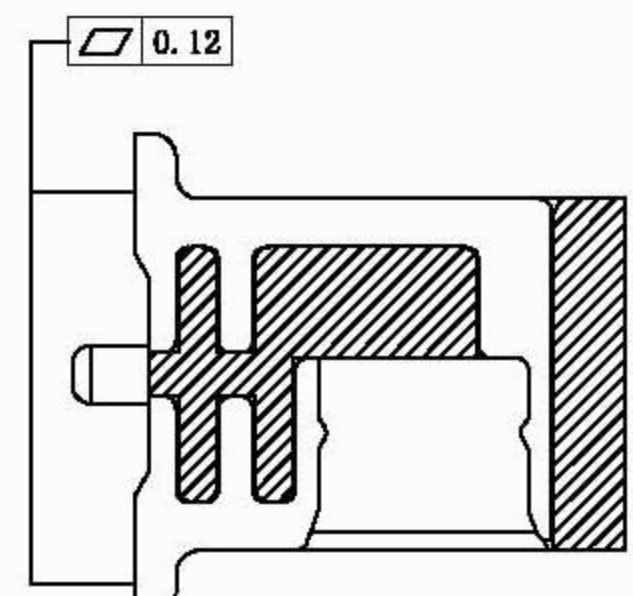
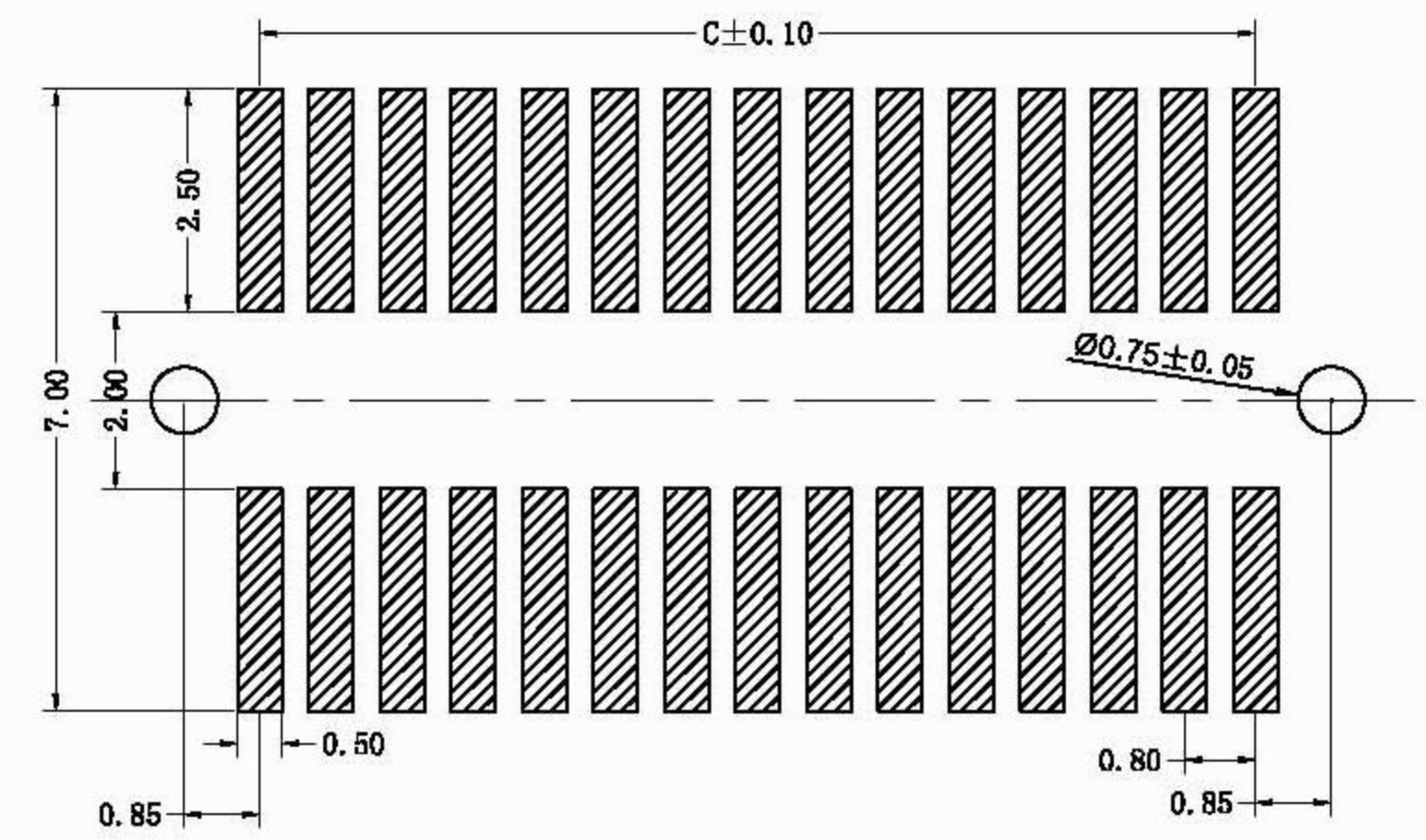
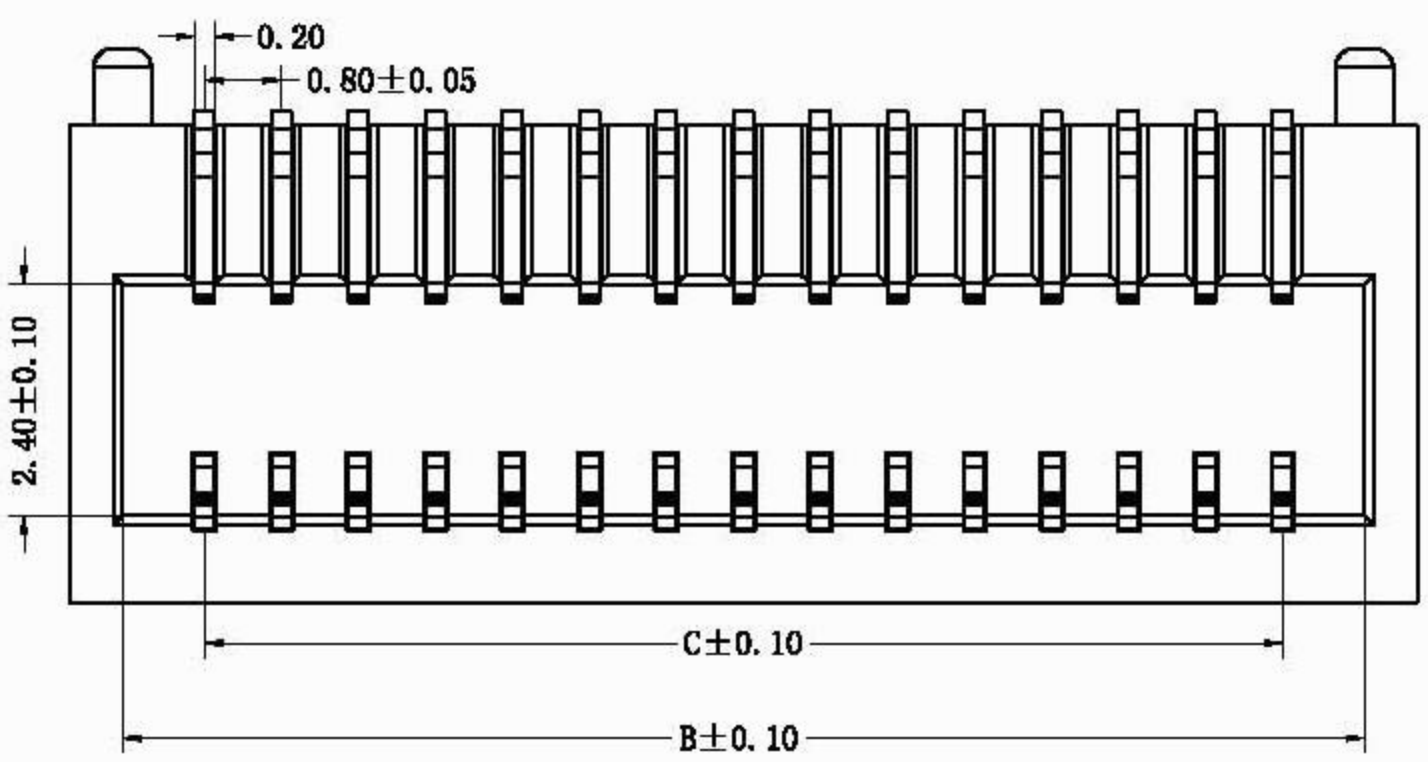
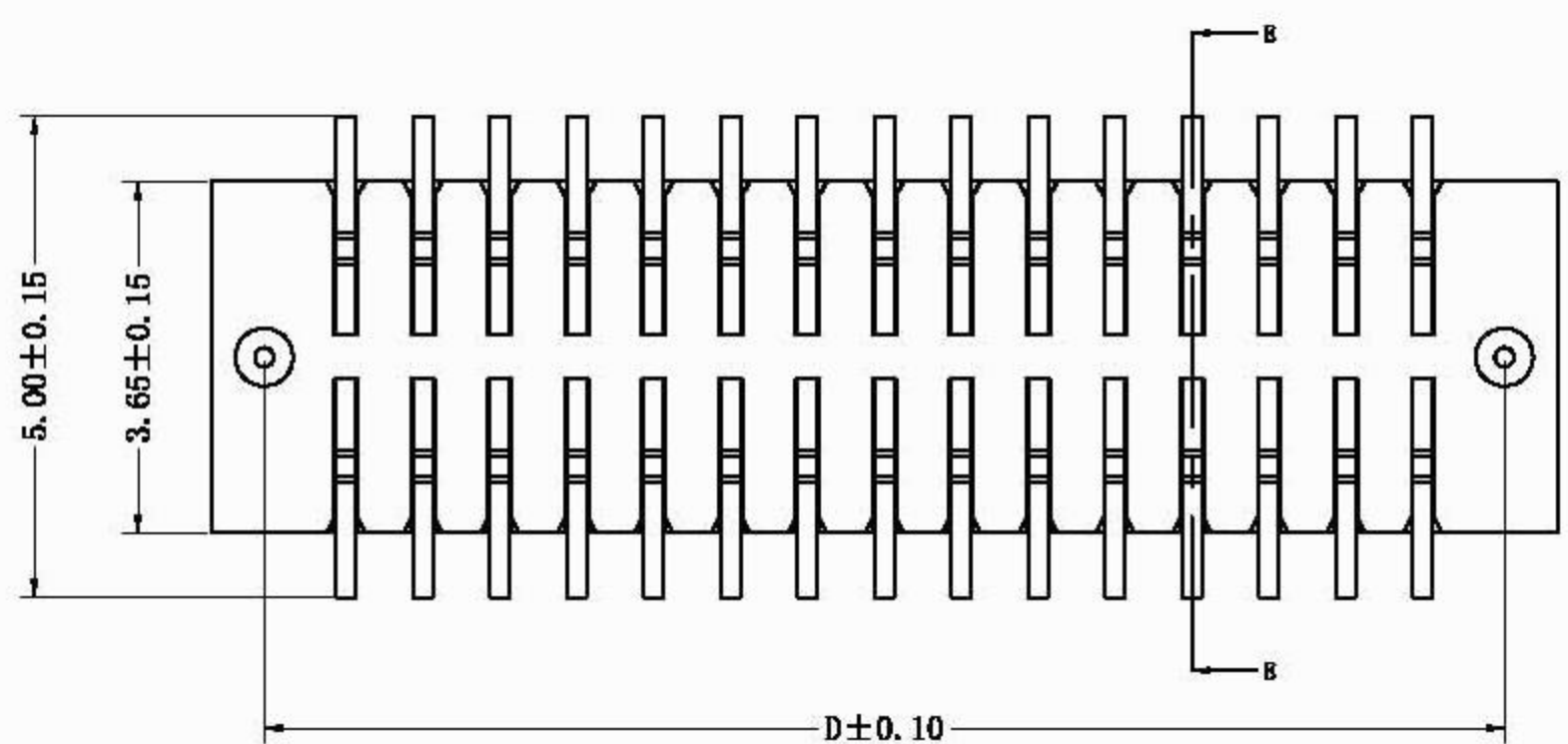
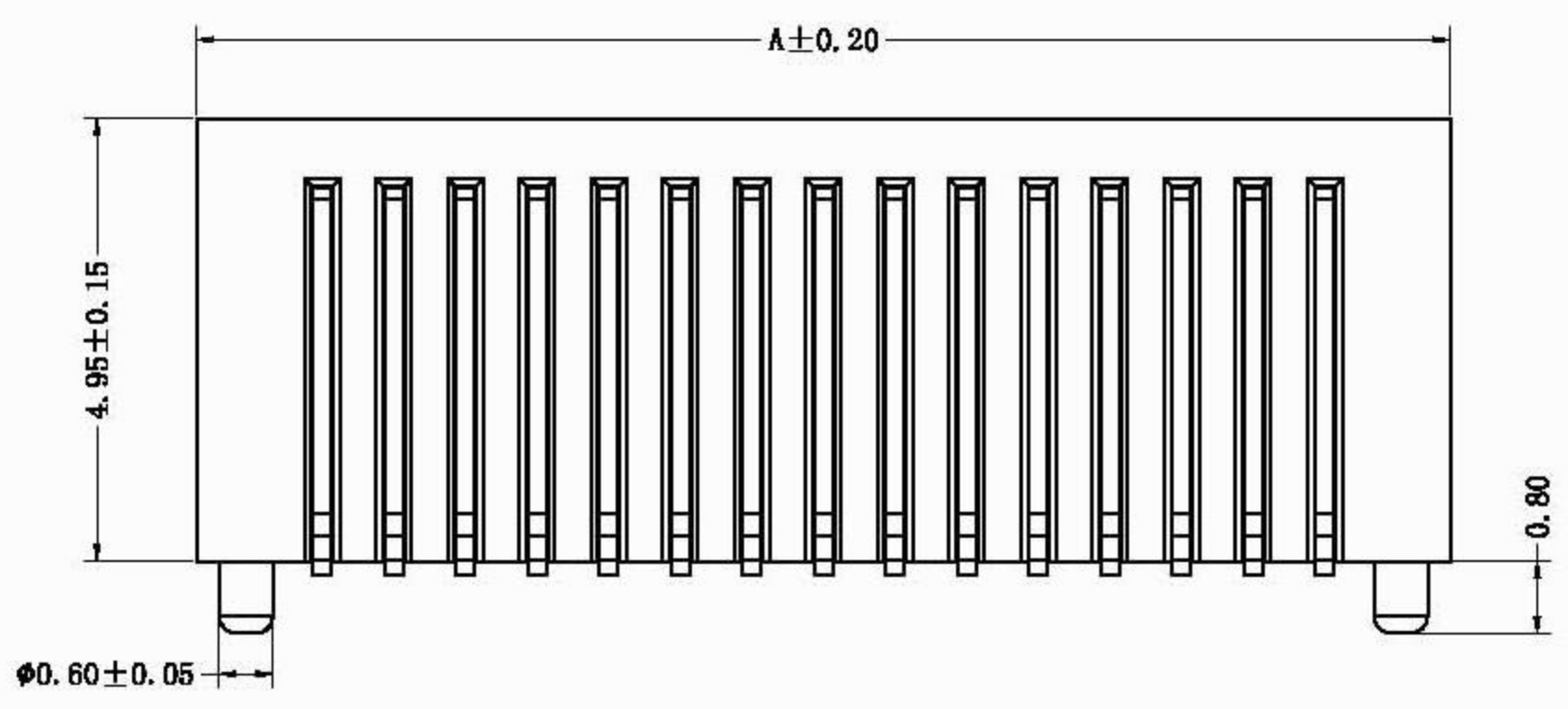


REVNO	REVISION NOTE	DATE	SIGNATURE	CHECKED
A/0	RELEASED	06/01/12	黄得进	

Notes:

Electrical
Voltage:50V AC(RMS)/DC
Current:0.5A AC(RMS)/DC
Contact Resistance:50m Ω max
Insulation Resistance:50M Ω min
Dielectric Withstanding Voltage:250VAC/RMS
Operating Temp:-20℃~+85℃
Materials
Housing:High temperature Plastic
 UL 94V-0
Terminal:Copper Alloy



No. of Contacts	Dimensions			
	A	B	C	D
10 (2*5)	6.0	4.9	3.2	4.9
12 (2*6)	6.8	5.7	4.0	5.7
14 (2*7)	7.6	6.5	4.8	6.5
16 (2*8)	8.4	7.3	5.8	7.3
18 (2*9)	9.2	8.1	6.4	8.1
20 (2*10)	10.0	8.9	7.2	8.9
24 (2*12)	11.6	10.5	8.8	10.5
26 (2*13)	12.4	11.3	9.6	11.3
28 (2*14)	13.2	12.1	10.4	12.1
30 (2*15)	14.0	12.9	11.2	12.9
32 (2*16)	14.8	13.7	12.0	13.7
50 (2*25)	22.0	20.9	19.2	20.9

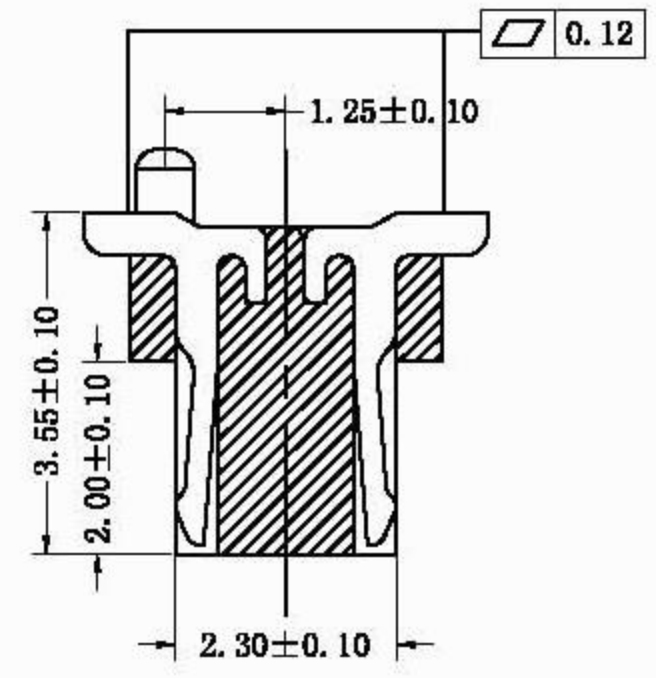
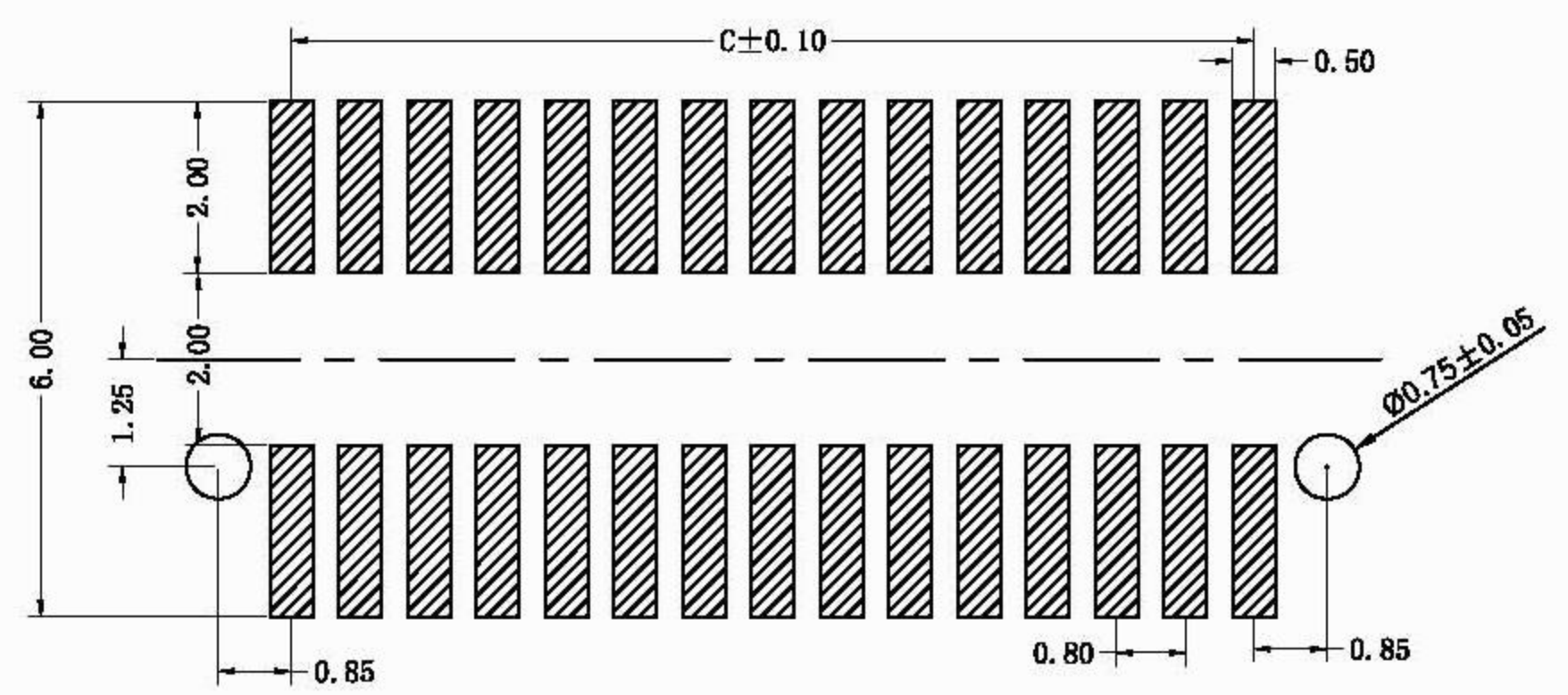
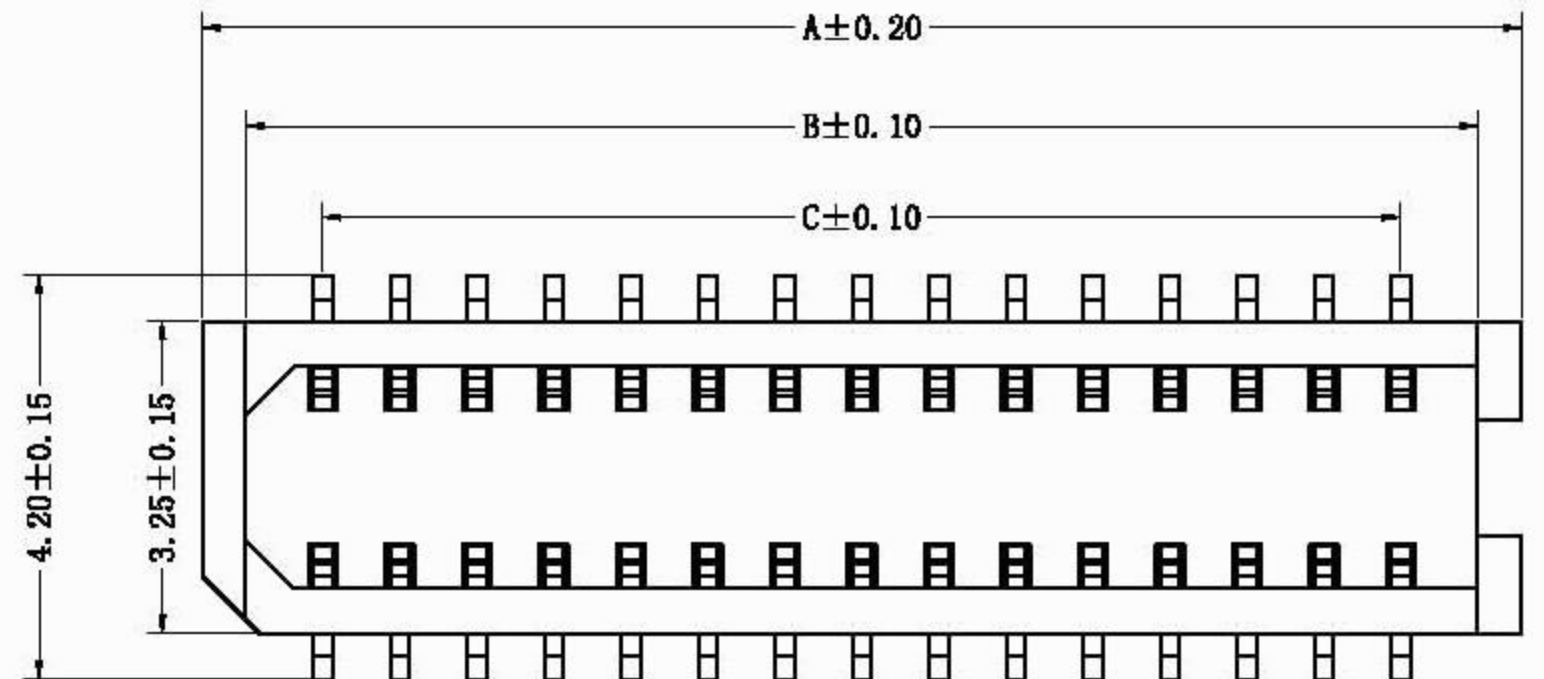
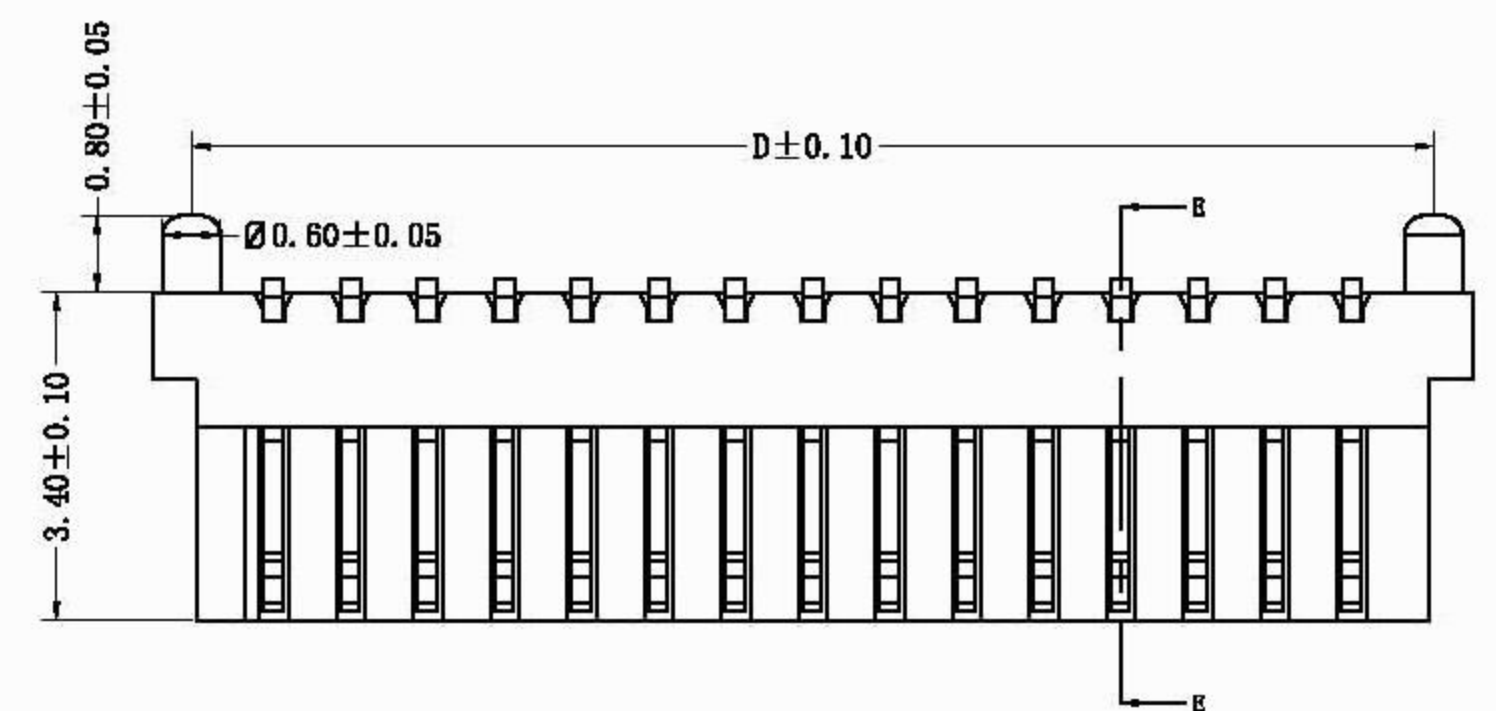
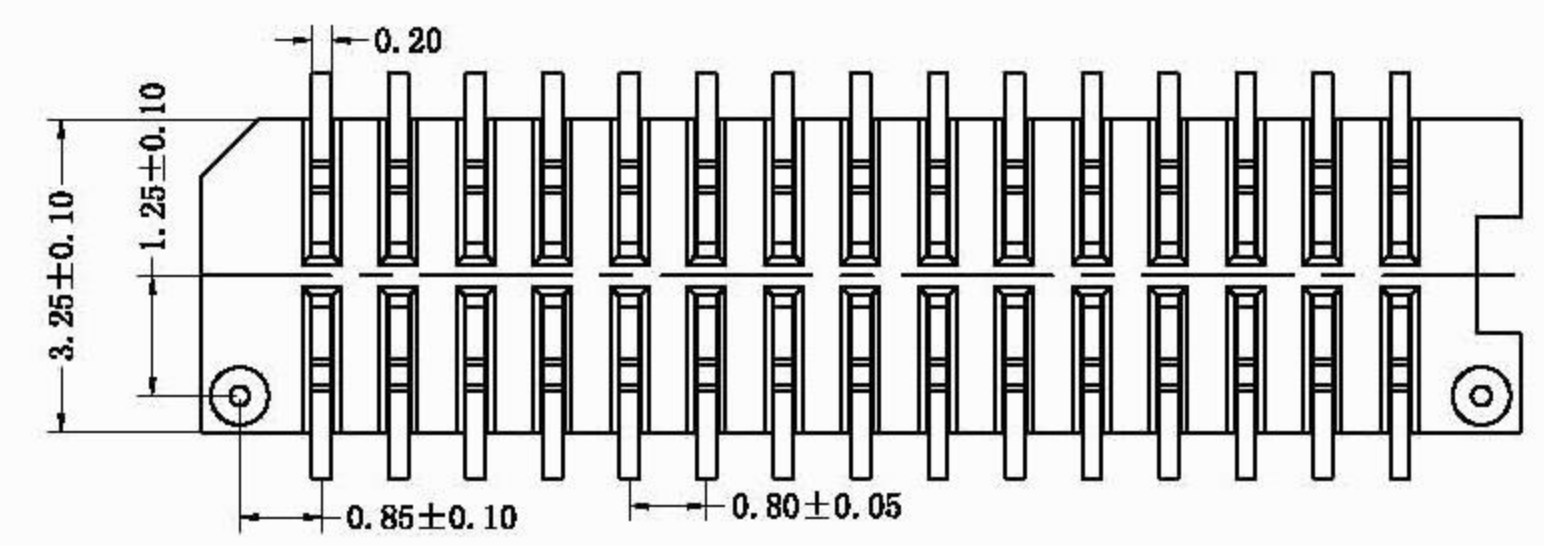
ITEMREF	QUANTITY:	SEE NOTES	PART NUMBER: XDBF-0835-XXP	
DESIGNED Kavin	06/01/12	CHECKED	APPROVED	UNIT mm
SCALE 1:1			0.8mm BTOB侧插型母座(导柱中)	
DRAWING_NUMBER			EDITION A/3	SHEET 1/1

深圳市连欣科技有限公司

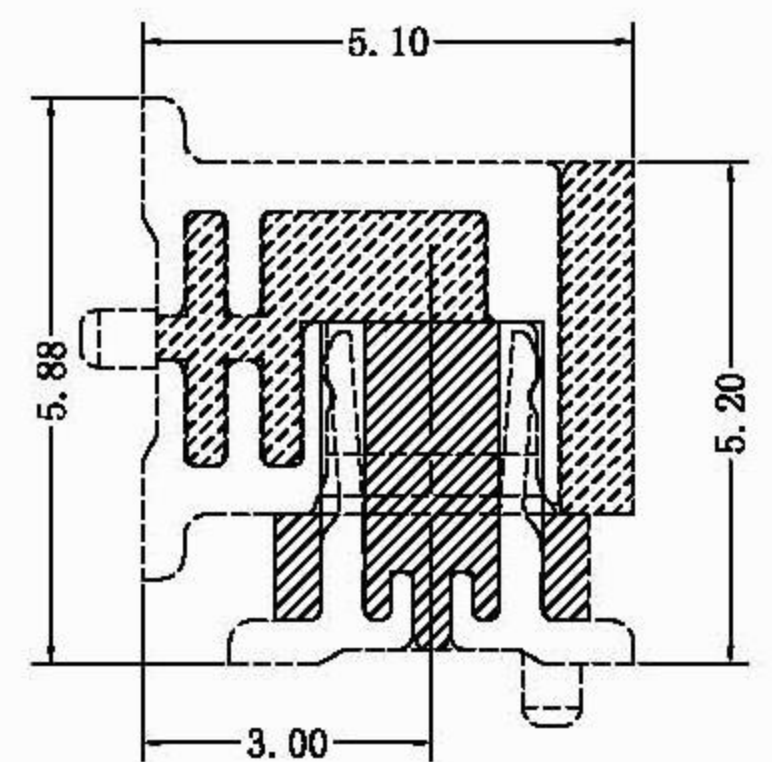
REVNO	REVISION NOTE	DATE	SIGNATURE	CHECKED
A/0	RELEASED	05/11/14	黄得进	

Notes:

Electrical
Voltage:50V AC(RMS)/DC
Current:0.5A AC(RMS)/DC
Contact Resistance:50m Ω max
Insulation Resistance:50M Ω min
Dielectric Withstanding Voltage:250VAC/RMS
Operating Temp:-20℃~+85℃
Materials
Housing:High temperature Plastic
 UL 94V-0
Terminal:Copper Alloy



SECTION: E-E



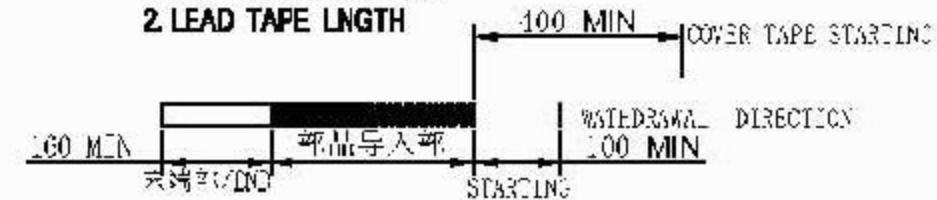
ASSEMBLY

No. of Contacts	Dimensions			
	A	B	C	D
10 (2*5)	5.7	4.8	3.2	4.9
12 (2*6)	6.5	5.6	4.0	5.7
14 (2*7)	7.3	6.4	4.8	6.5
16 (2*8)	8.1	7.2	5.6	7.3
18 (2*9)	8.9	8.0	6.4	8.1
20 (2*10)	9.7	8.8	7.2	8.9
24 (2*12)	11.3	10.4	8.8	10.5
26 (2*13)	12.1	11.2	9.6	11.3
28 (2*14)	12.9	12.0	10.4	12.1
30 (2*15)	13.7	12.8	11.2	12.9
32 (2*16)	14.5	13.6	12.0	13.7
50 (2*25)	21.7	20.8	19.2	20.9

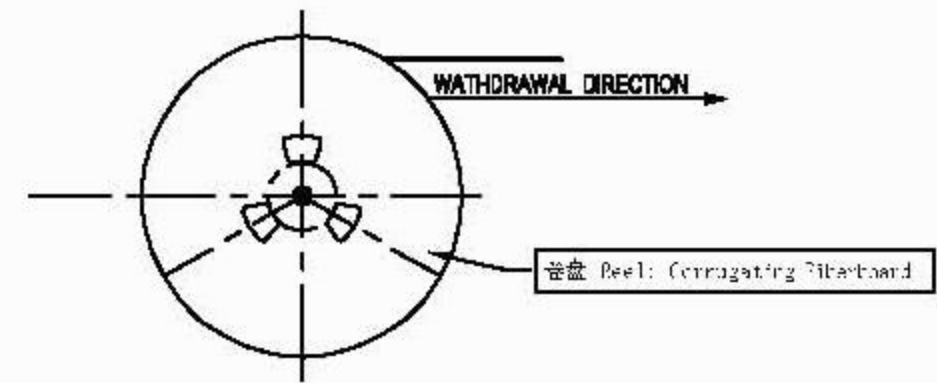
ITEMREF	QUANTITY:	SEE NOTES	PART NUMBER:	XDBM-0835-XXP	
DESIGNED	06/01/12	CHECKED	APPROVED	UNIT	SCALE
Kavin				mm	1:1
深圳市连欣科技有限公司			0.8mm BTOB侧插型公座 (普通导柱)		
DRAWING NUMBER			EDITION	SHEET	
			A/1	1/1	

REVNO	REVISION NOTE	DATE	DRAW	CHECK
A/0	RELEASED	08/3/20	黄家斌	

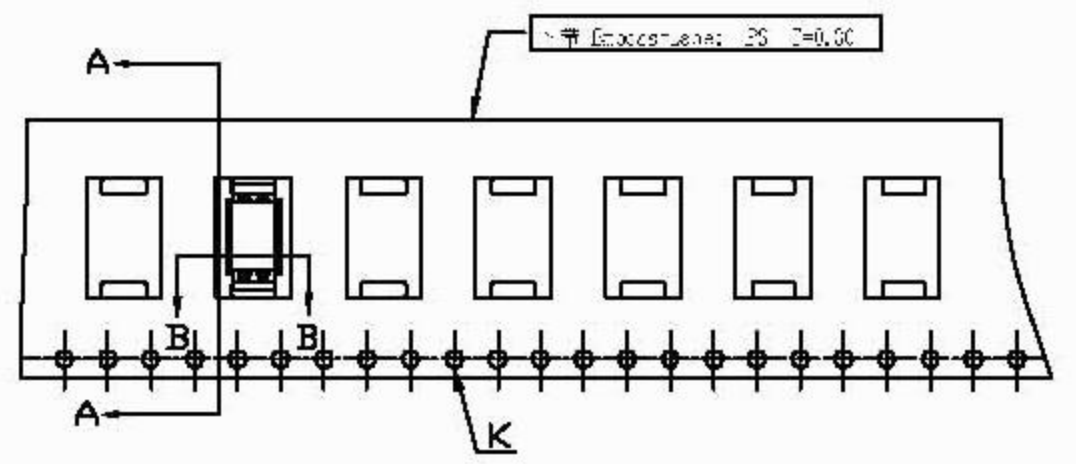
NOTE:
1. UNIT QUANTITY: 1500
2. LEAD TAPE LENGTH



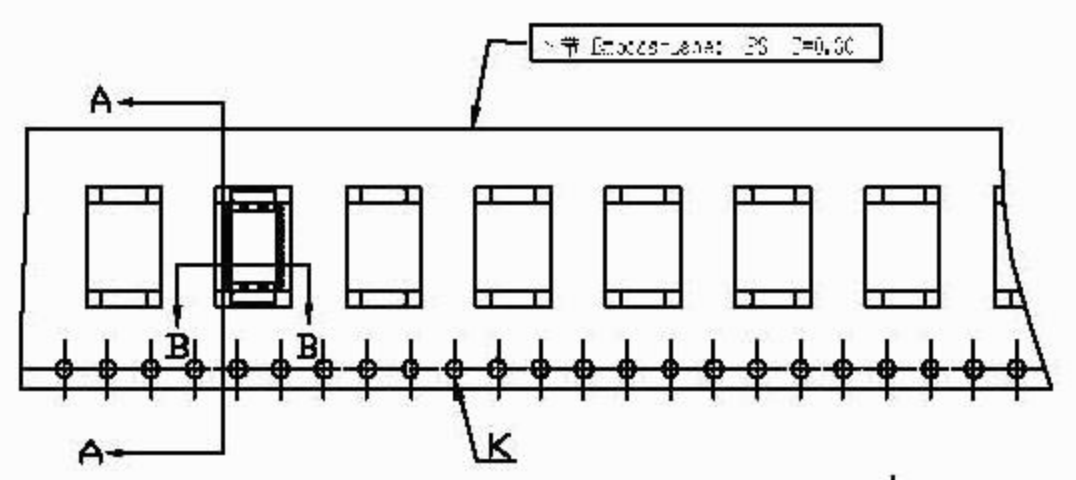
3. COVER TAPE PEELING FORCE:
0.2N (20gf) MIN



PRODUCT WITHDRAWAL DIRECTION



母座



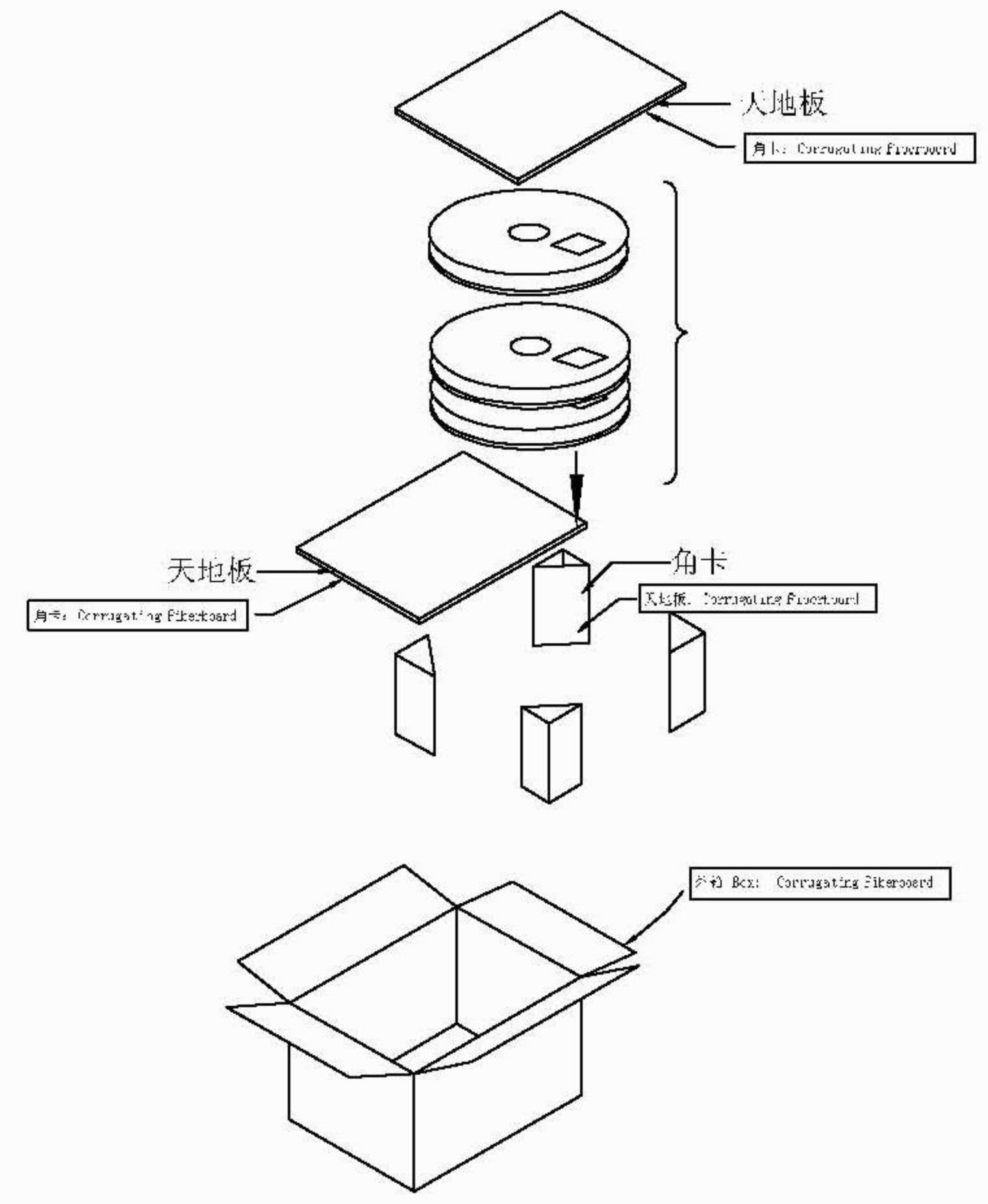
公座



SECTION A-A

SECTION A-A

Packaging to Box



DIMENSION UNIT MM		PRCD. SPEC.
TOLERANCE UNLESS OTHERWISE SPECIFIED		PKG. SPEC.
.X±0.10	X° ±1°	APR. Jiabin
.XX±0.05	.X° ±0.5°	CHK. Liping
.XXX±0.03	.XX° ±0.3°	DRA. William

深圳市连欣科技有限公司

TITLE: BTOB卷装包装图

	PART NUMBER:	
	FILE NO.	REV: A/0
	SHEET 1/1	SCALE: 1:1