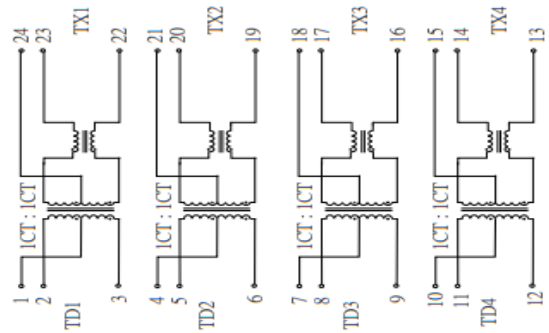
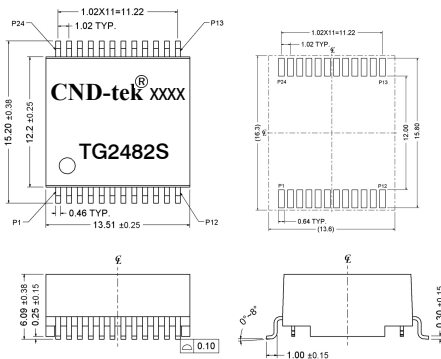


1. Designed for long haul 10G POE Single Port Transformer Module
2. Supports four pairs of category 5 UTP cable, Cable interface for isolation and low common mode emissions.
3. Low profile Surface Mount Packaging designed for Hi-Temp Reflow Process
4. Compliant with IEEE 802.3an standard for 10G Base-Z, Designed to support 1:1 Turns Ratio Transceivers.
5. DC Line Current : 720mA Max @ 57V



DIMENSIONS & SCHEMATICS

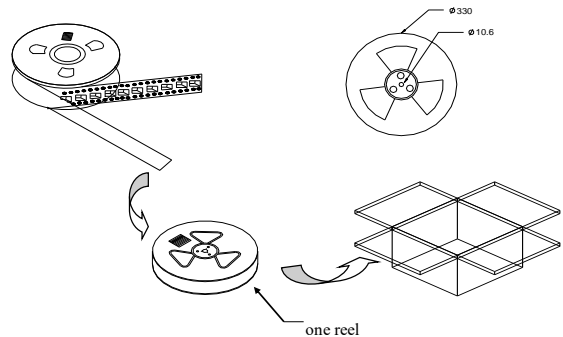
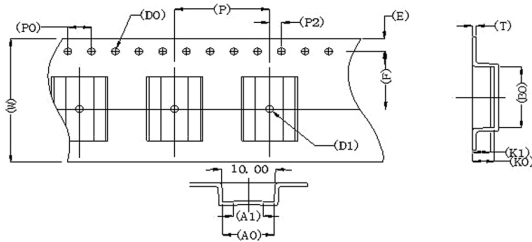


- Note:**
1. Dimension: mm
 2. Unless otherwise specified, all tolerances are: ±0.15mm

TECHNICAL SPECIFICATIONS

OCL :	100 μ H Min. @ 100 KHz, 100mV with 15mA DC Bias
Leakage Inductance:	0.35 μ H Max. @ 100KHz, 0.1V
Cw/w:	35 pF Max. @ 100KHz, 0.1V
DCR:	1.00 Ω Max
Turns Ratio(\pm 5%):	1CT:1(TX), 1CT:1(RX)
Polarity:	1-24, 4-21, 7-18, 10-15 In-Phase
Insertion Loss:	-1.0 dB Max. @ 1-100MHz -2.0dB Max. @ 100-250MHz -3.0 dB Max. @ 250-500MHz
Return Loss:	-15 dB Min. @ 1-100MHz -13 Min @ 100-250 MHz -10dB Min. @ 250-500 MHz
Cross Talk:	-30 dB Min. @ 1-500 MHz
Common Mode Rejection :	-30 dB Min. @ 1-500 MHz
Isolation HI-POT:	1500Vrms 1mA 60Second or 1650VAC 1mA 6S
Operating Temperature range:	-40 C ~+ 85 C
Storage temperature range:	-40 C ~+ 125 C

PACKING SPECIFICATION



1. units/reel:400PCS
- 2 reel/carton:5PCS
- 3.units/carton :2000PCS