

Notes:

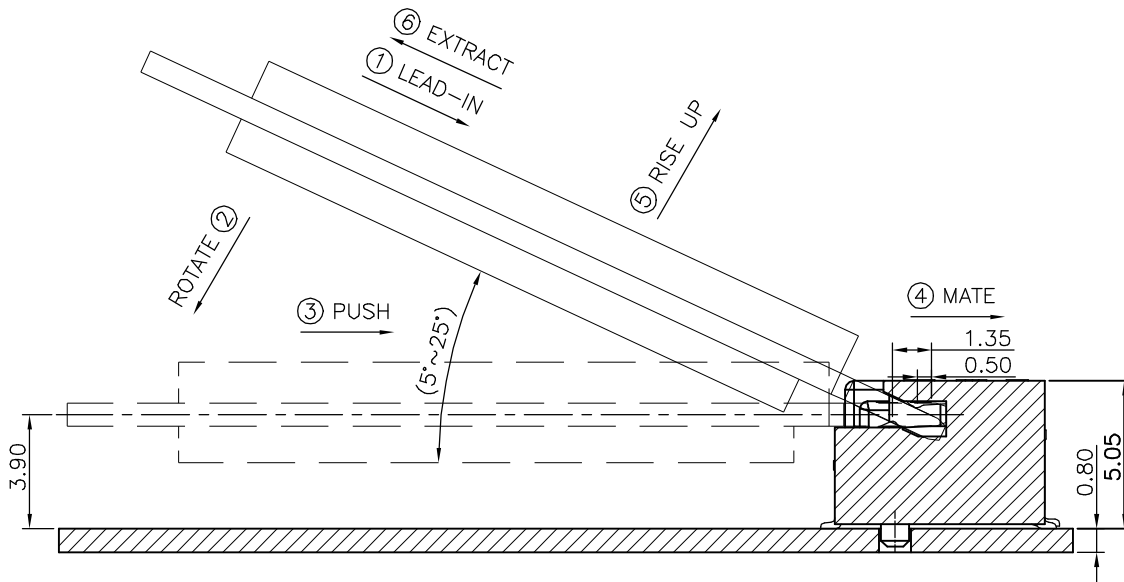
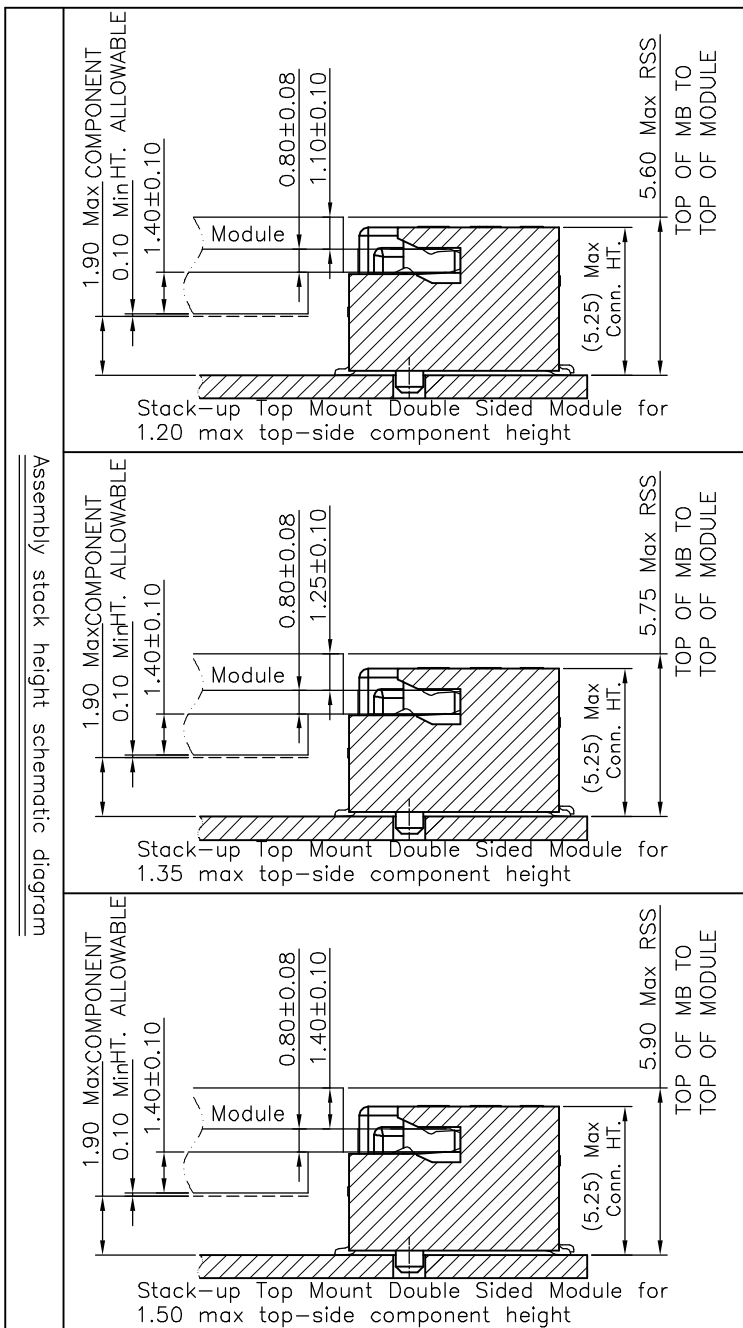
1. MATERIAL SPECIFICATION:
 - 1.1. HOUSING:LCP,UL94V-0,COLOR:BLACK.
 - 1.2. CONTACT:COPPER ALLOY.
 - 1.3. PEG:S50C.
2. PLATING SPECIFICATION:
 - 2.1. CONTACT:50u" MIN.NICKEL UNDER PLATING OVER ALL.PLATING ON SOLDER AREA:SEE TABLE GOLD PLATING ON CONTACT AREA:SEE TABLE
 - 2.2. PEG:50u" MIN. NICKEL UNDER PLATING OVER ALL. 80u" MIN. MATTE TIN PLATING ON SOLDER AREA.
3. HF COMPLIANT, RoHS COMPLIANT.
4. DATE CODE: XX XX XX
 DAY
 WEEK
 YEAR
5. MECHANICAL PERFORMANCE:
 - 5.1. DURABILITY: SEE TABLE
6. ELECTRICAL PERFORMANCE:
 - 6.1. CURRENT: 0.5A PER PIN.
 - 6.2. LLCR: INITIAL 55mΩ MAX.;FINAL ΔLLCR=20mΩ MAX.
7. IR REFLOW:

THE TEMPERATURE SHALL BE 260±5°C MAINTAINING 10±1 SECONDS.



深圳市华宇创精密电子有限公司

TOLERANCE: X.X ±0.30 X.XX ±0.25 X.XXX ±0.15 X' ±2' X.X' ±0.5'	DRAWN BY : 陈一鸣	DATE : 2014-02-23	PART NAME: NGFF M.2 M KEY 5.0H 0.5PH
	CHECKED BY: 马跃	DATE : 2014-02-23	PART NO. HYCW41M-05NGFF-500B
UNIT: mm [inch] SCALE:1:1 SIZE: A4	APPROVED BY: 邱敏	DATE : 2014-02-23	DRAW NO: HYC-2401101833
			SHEET NO. 1 OF 1





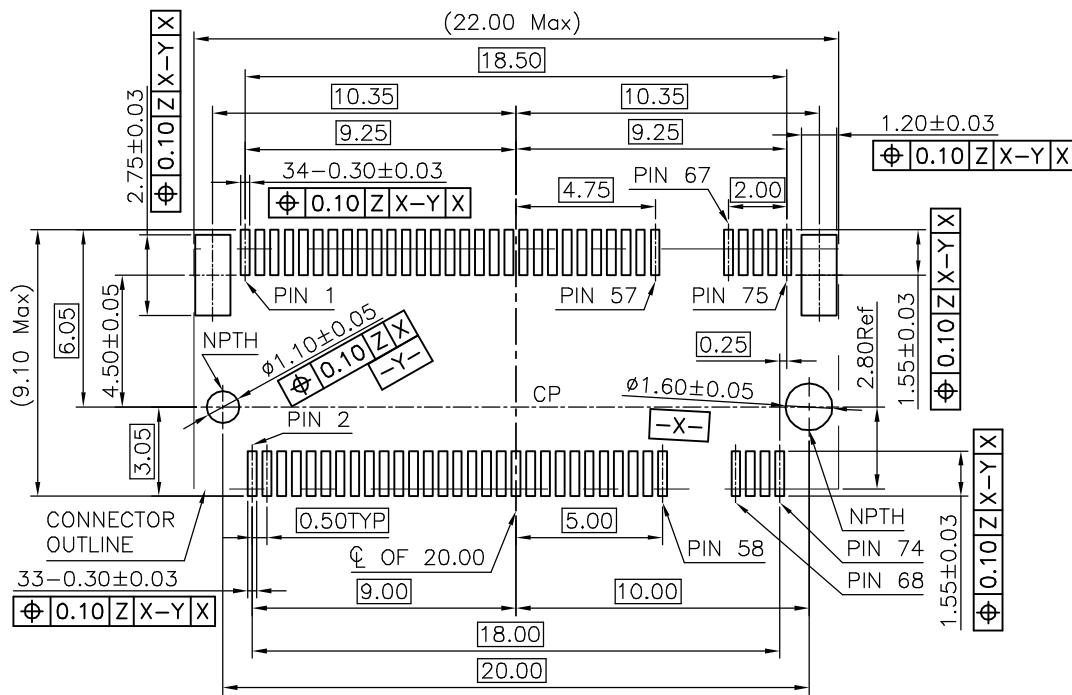
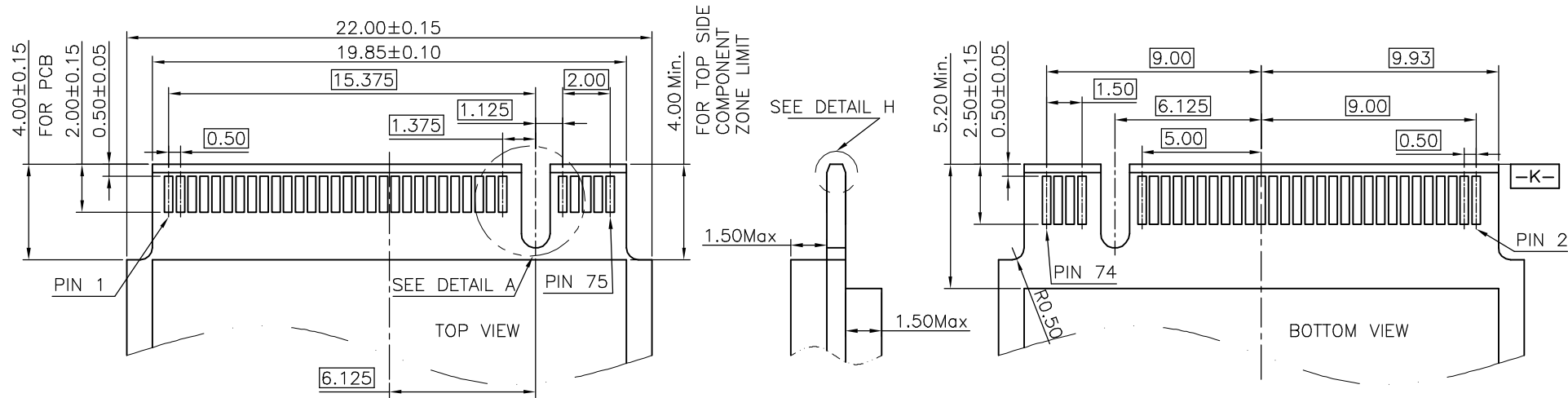
HOW TO MATE AND EXTRACT

MATE: ① → ④

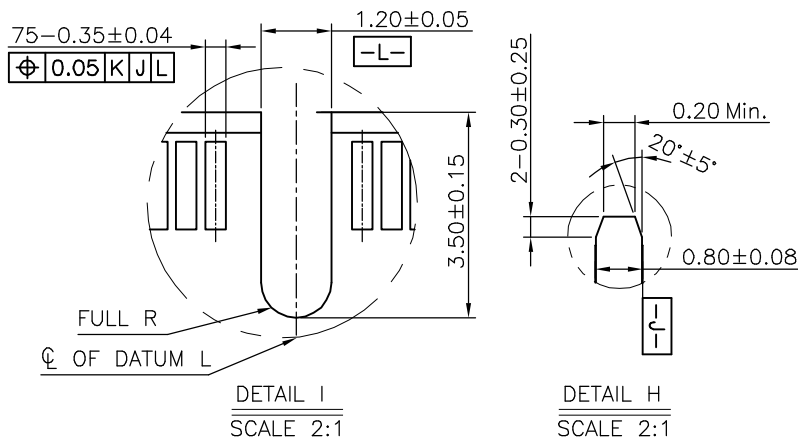
EXTRACT: ⑤ → ⑥

NOTE: Mating force will generate from step 3 to step 4.

 深圳市华宇创精密电子有限公司			
TOLERANCE: X.X ±0.30 X.XX ±0.25 X.XXX ±0.15 X' ±2' X.X' ±0.5'	DRAWN BY : 陈一鸣	DATE : 2014-02-23	PART NAME: NGFF M.2 M KEY 5.0H 0.5PH
	CHECKED BY: 马跃	DATE : 2014-02-23	PART NO. HYCW41M-05NGFF-500B
 UNIT: mm [inch] SCALE: 1:1 SIZE: A4	APPROVED BY: 邱敏	DATE : 2014-02-23	DRAW NO: HYC-2401101833
			SHEET NO. 1 OF 1

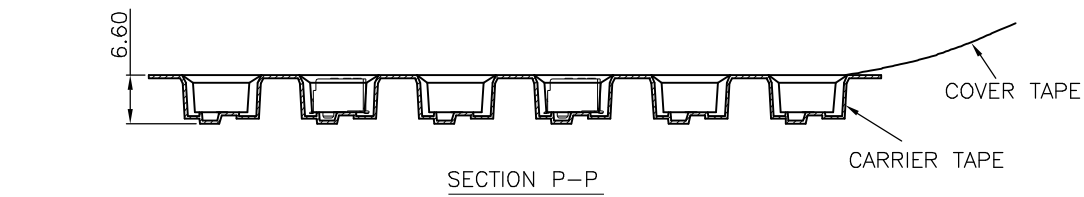
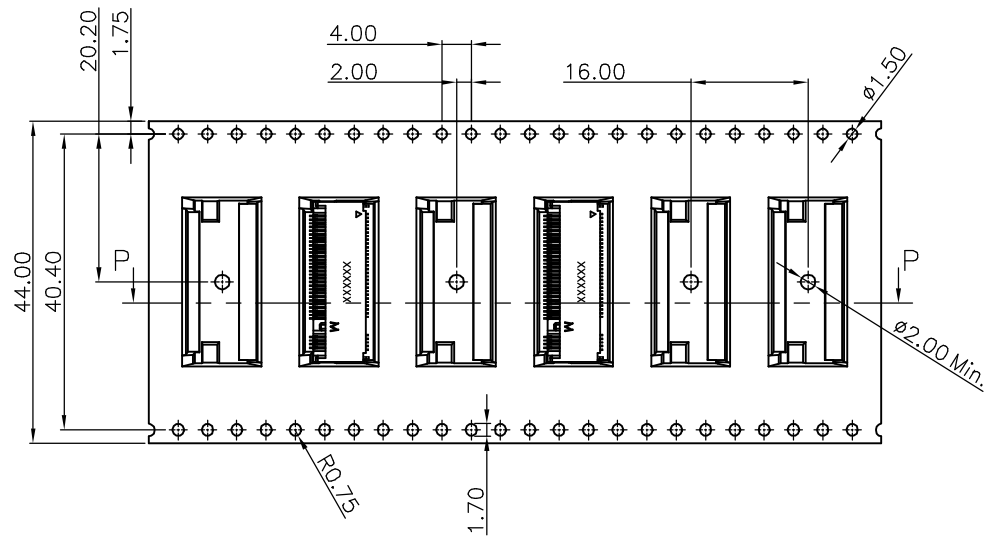
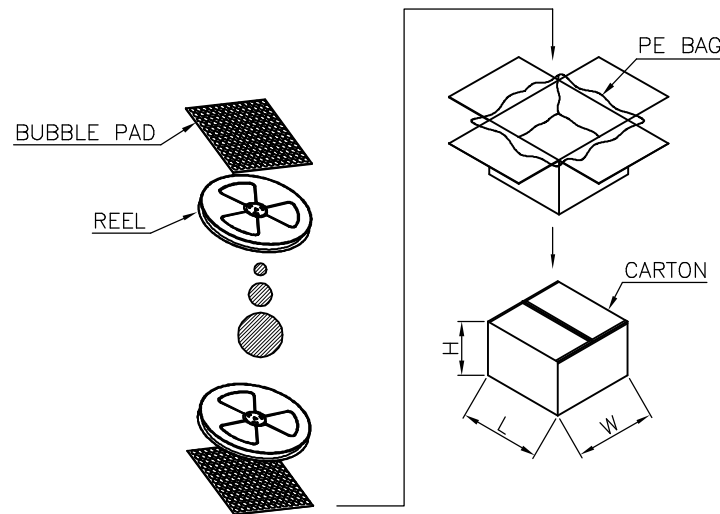
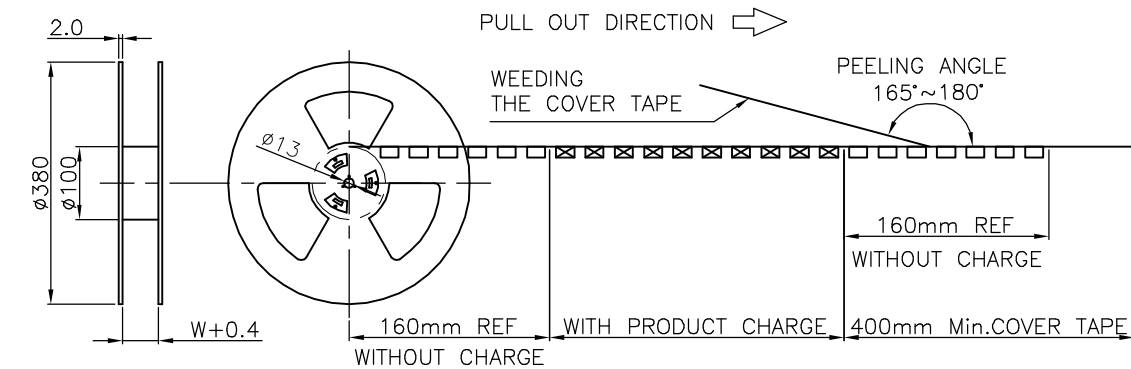


RECOMMENDED PCB LAYOUT (TOP VIEW)
DEFAULT TOLERANCE ±0.05MM



深圳市华宇创精密电子有限公司

TOLERANCE: X.X ±0.30 X.XX ±0.25 X.XXX ±0.15 X' ±2' X.X' ±0.5'	DRAWN BY : 陈一鸣	DATE : 2014-02-23	PART NAME: NGFF M.2 M KEY 5.0H 0.5PH
	CHECKED BY: 马跃	DATE : 2014-02-23	PART NO.: HYCW41M-05NGFF-500B
 UNIT: mm [inch] SCALE:1:1 SIZE: A4	APPROVED BY: 邱敏	DATE : 2014-02-23	DRAW NO.: HYC-2401101833
			SHEET NO.: 1 OF 1



850	5100
PCS/REEL	PCS/CARTON

深圳市华宇创精密电子有限公司

TOLERANCE: X.X ±0.30 X.XX ±0.25 X.XXX ±0.15 X' ±2' X.X' ±0.5'	DRAWN BY : 陈一鸣	DATE : 2014-02-23	PART NAME: 包装图	
	CHECKED BY: 马跃	DATE : 2014-02-23	PART NO.	_____
APPROVED BY: 邱敏	DATE : 2014-02-23	MOLD NO.	_____	
UNIT: mm [inch] SCALE:1:1 SIZE: A4		DRAW NO:		