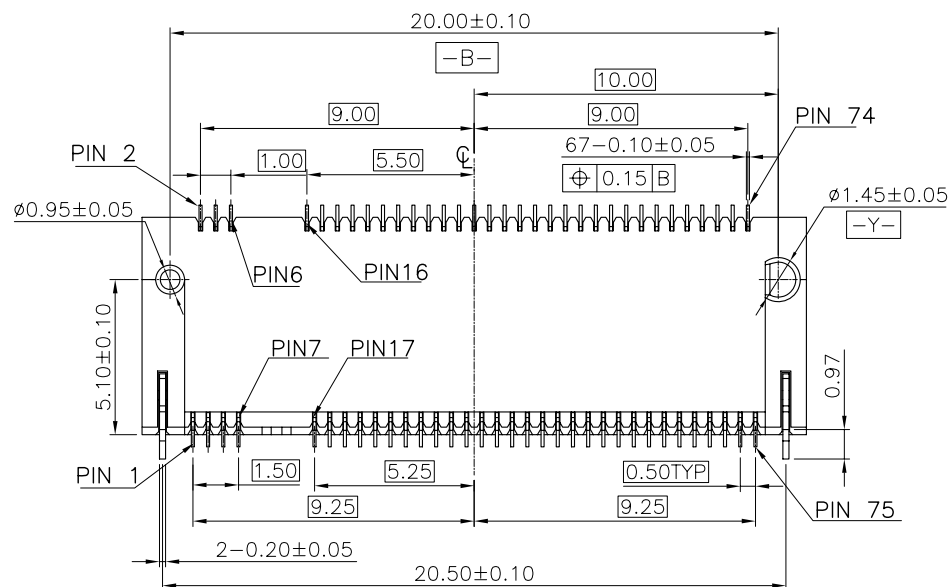


NOTES:

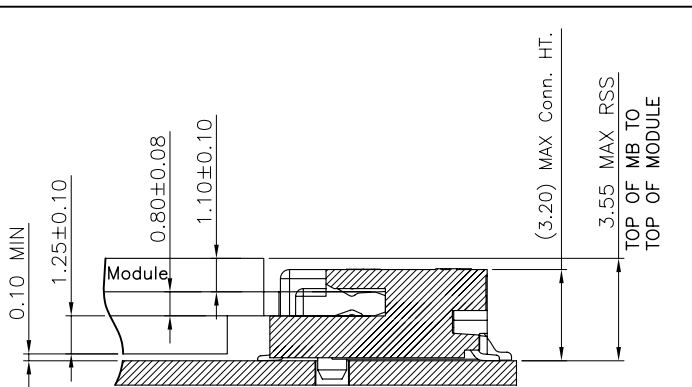
- MATERIAL SPECIFICATION:
  - 1-1. HOUSING: LCP+40%GF, UL94V-0, COLOR: BLACK.
  - 1-2. CONTACT: PHOSPHOR-COPPER.
  - 1-3. SMT TAB: COPPER ALLOY.
- PLATING SPECIFICATION:
  - 2-1. CONTACT:
    - 50u" MIN. NICKEL UNDER PLATING OVER ALL.
    - G/F PLATING ON SOLDER AREA.
    - GOLD PLATING ON CONTACT AREA: SEE TABLE
  - 2-2. SMT TAB:
    - 50u" MIN. NICKEL UNDER PLATING OVER ALL.
    - 100u" MIN. MATTE TIN PLATING ON SOLDER AREA.
- HF COMPLIANT, ROHS COMPLIANT.
- DATE CODE: XXXXXX
  - DAY
  - WEEK
  - YEAR
- MECHANICAL PERFORMANCE:
  - 5-1. DURABILITY: SEE TABLE
- ELECTRICAL PERFORMANCE:
  - 6-1. CURRENT: 0.5A PER PIN.
  - 6-2. LLCR: INITIAL 55mΩ MAX.; FINAL ΔLLCR=20mΩ MAX..
- IR REFLOW:
  - THE TEMPERATURE SHALL BE 260±5°C MAINTAINING 10±1 SECONDS.



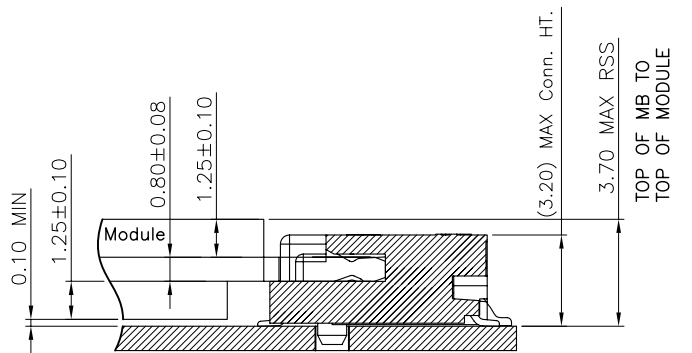
深圳市华宇创精密电子有限公司

|  |                    |                      |   |                     |
|--|--------------------|----------------------|---|---------------------|
| TOLERANCE:<br>X.X ±0.30<br>X.XX ±0.25<br>X.XXX ±0.15<br>X.* ±2* X.X* ±0.5* | DRAWN BY :<br>陈一鸣  | DATE :<br>2014-02-23 | PART NAME:<br>NGFF M.2 A KEY 3.2H 0.5PH |                     |
|  | CHECKED BY:<br>马跃  | DATE :<br>2014-02-23 | PART NO.<br>HYCW40A-05NGFF-320B         | MOLD NO.            |
| UNIT: mm [inch]<br>SCALE: 1:1 SIZE: A4                                     | APPROVED BY:<br>邱敏 | DATE :<br>2014-02-23 | DRAW NO:<br>HYC-2310140924              | SHEET NO.<br>1 OF 1 |

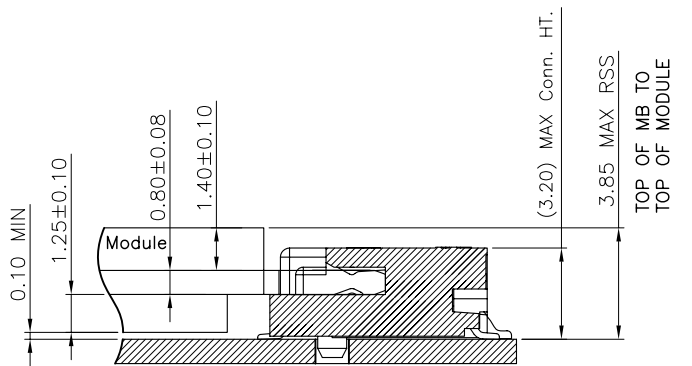
Assembly stack height schematic diagram



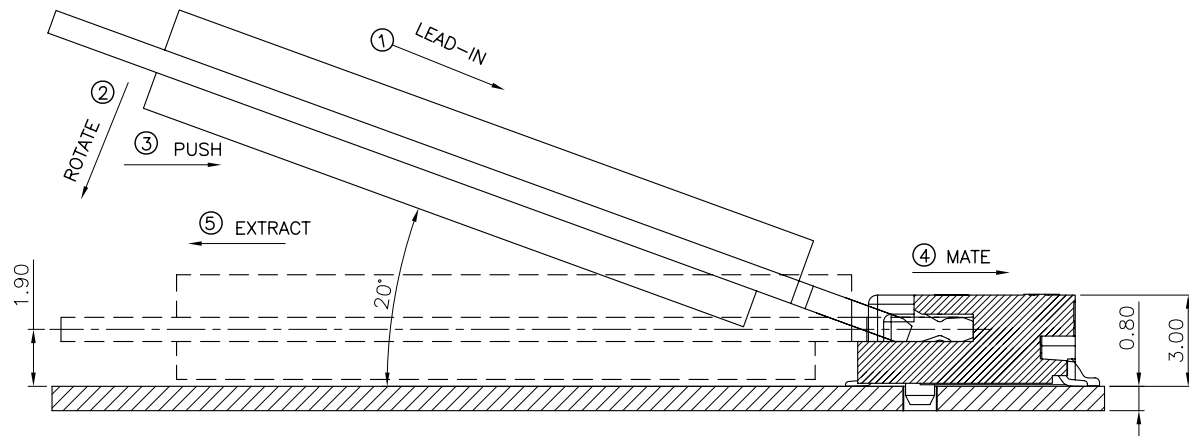
Stack-up Top Mount Double Sided Module for 1.20 max top-side component height



Stack-up Top Mount Double Sided Module for 1.35 max top-side component height



Stack-up Top Mount Double Sided Module for 1.5 max top-side component height



HOW TO MATE AND EXTRACT

MATE: ① → ④

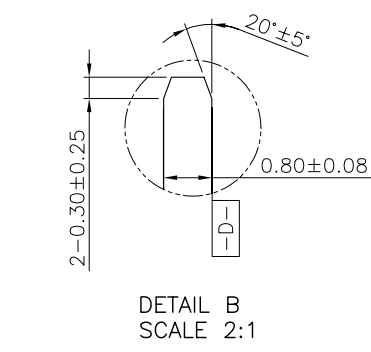
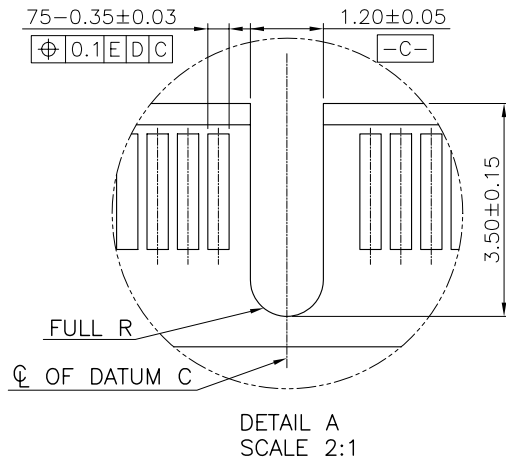
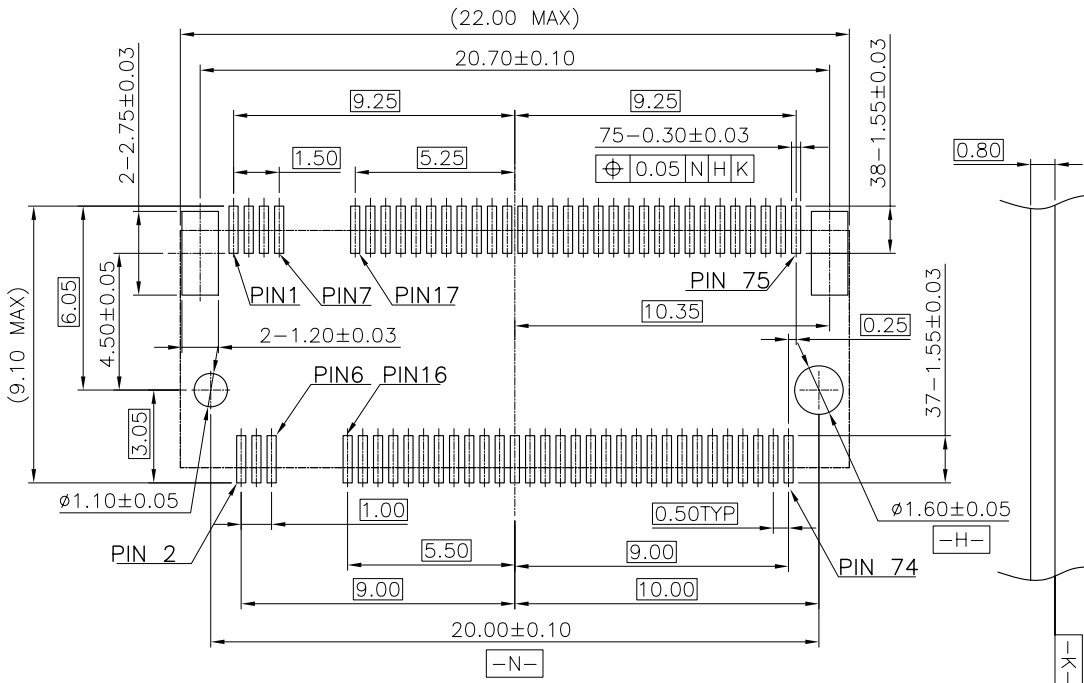
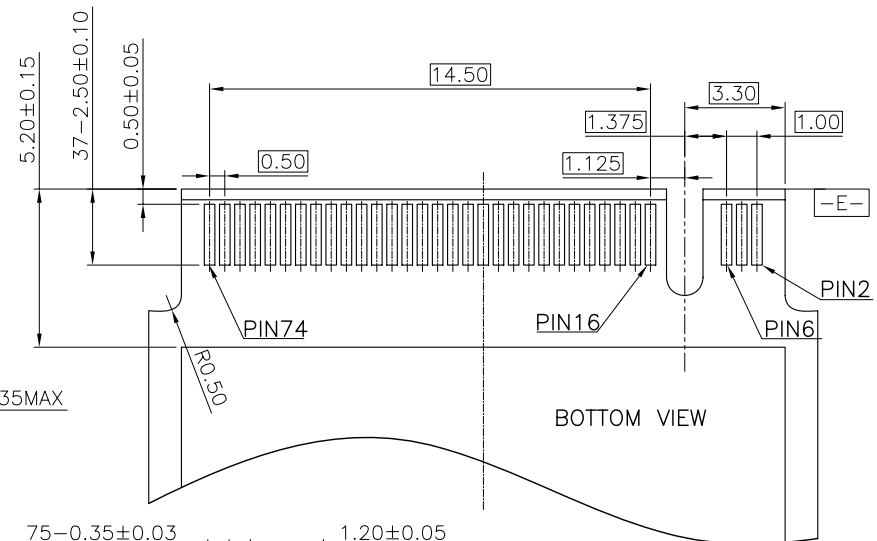
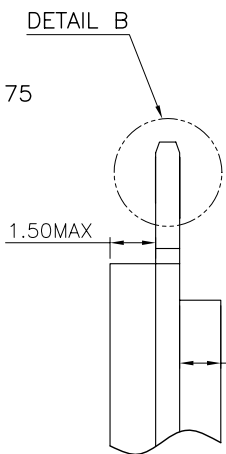
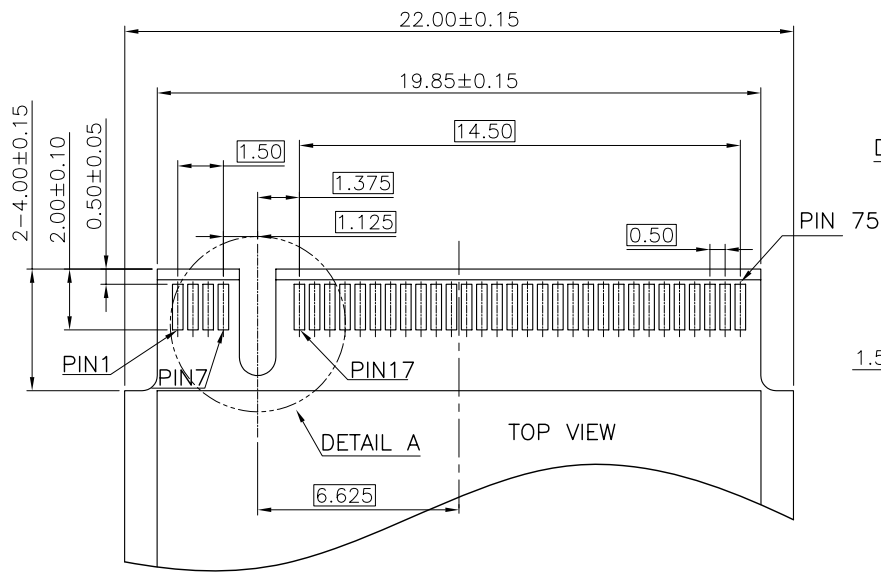
EXTRACT: ⑤

NOTE: Mating force will generate from step 3 to step 4.




深圳市华宇创精密电子有限公司

|   |                    |                      |   |
|---|--------------------|----------------------|---|
| TOLERANCE:<br>X.X ±0.30<br>X.XX ±0.25<br>X.XXX ±0.15<br>X' ±2' X.X' ±0.5' | DRAWN BY :<br>陈一鸣  | DATE :<br>2014-02-23 | PART NAME:<br>NGFF M.2 A KEY 3.2H 0.5PH |
|   | CHECKED BY:<br>马跃  | DATE :<br>2014-02-23 | PART NO. HYCW40A-05NGFF-320B            |
| UNIT: mm [inch]<br>SCALE:1:1 SIZE: A4                                     | APPROVED BY:<br>邱敏 | DATE :<br>2014-02-23 | DRAW NO: HYC-2310140924                 |
|   |                    |                      | SHEET NO. 1 OF 1                        |



RECOMMENDED PCB LAYOUT(TOP VIEW)  
DEFAULT TOLERANCE ±0.05MM

|   |                           |                             |  |
|---|---------------------------|-----------------------------|--|
|  <b>深圳市华宇创精密电子有限公司</b> |                           |                             |  |
| <b>TOLERANCE:</b><br>X.X ±0.30<br>X.XX ±0.25<br>X.XXX ±0.15<br>X.' ±2' X.X' ±0.5'                           | <b>DRAWN BY :</b><br>陈一鸣  | <b>DATE :</b><br>2014-02-23 | <b>PART NAME:</b><br>NGFF M.2 A KEY 3.2H 0.5PH |
|   | <b>CHECKED BY:</b><br>马跃  | <b>DATE :</b><br>2014-02-23 | <b>PART NO.</b><br>HYCW40A-05NGFF-320B         |
| <b>UNIT:</b> mm [inch]  | <b>APPROVED BY:</b><br>邱敏 | <b>DATE :</b><br>2014-02-23 | <b>DRAW NO:</b><br>HYC-2310140924              |
| <b>SCALE:</b> 1:1   | <b>SIZE:</b> A4           | <b>SHEET NO.</b><br>1 OF 1  |  |

