

Data Sheet

SR213xxHBNC

Page 1/4

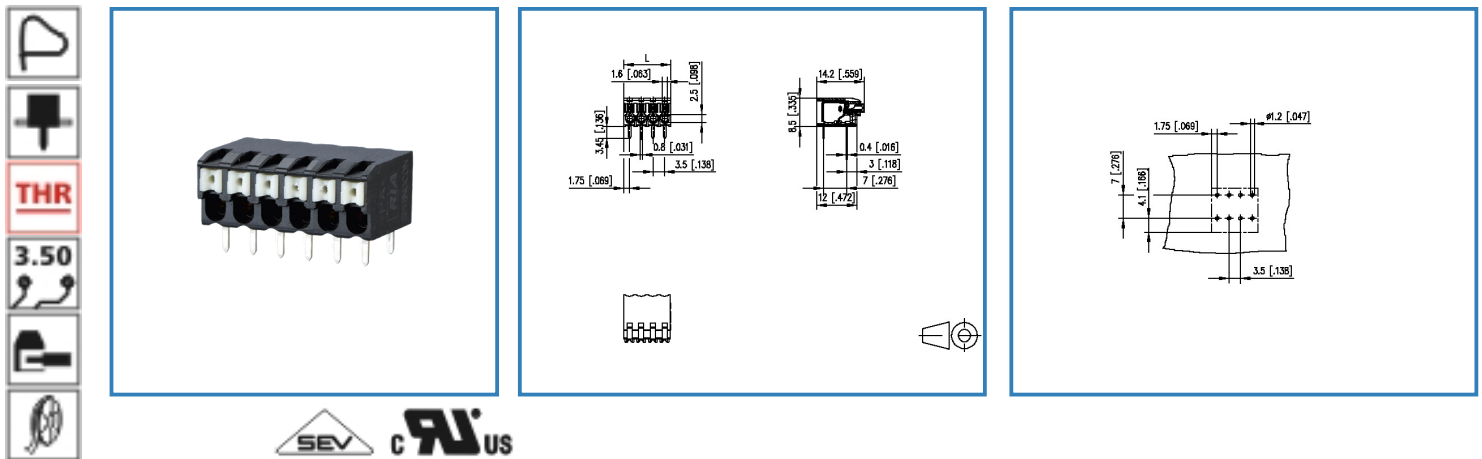
P/N

AST223xx

xx=number of poles

2017/01/25

Illustration



see enlarged drawing at the end of the document

Product specification

- spring clamp terminal block, THR solderable, double solder pins
- centerline 3.50 mm, direction of connection 90°
- fittable without loss of poles
- color black
- Tape & Reel packaging
- push-button



Data Sheet

SR213xxHBNC

Page 2/4

P/N

AST223xx

xx=number of poles

2017/01/25

Technical Data



General Data

Solder pin length	3.45 mm		
min. number of poles	2		
max. number of poles	12		
Insulating material class	CTI 600		
clearance/creepage dist.	2 mm		
protection category	IP 20		
Overvoltage category	III	III	II
Pollution degree	3	2	2
Rated voltage	160 V	400 V	400 V
Rated test voltage	2.5 kV	2.5 kV	2.5 kV
Min. insul. strip length	8.5 mm		

Connection data

Rated wiring solid wire	0.08 - 1.5 mm ² / AWG 28 - 16		
Rated wiring stranded wire	0.08 - 1.5 mm ² / AWG 28 - 16		

Approvals

 V / A / AWG	150 / 10 / 28 - 16		
 1.5 mm ²	130 V / 17.5 A / T60		

Material

insulating material	PA66/6T
flammability class	V0
spring material	Spring steel
contact material	CuSn
Glow-Wire Flammability GWFI	960
Glow-Wire Flammability GWIT	775
contact surface	Sn

Climatic properties

upper limit temperature	105 °C
lower limit temperature	-40 °C

General

solderability	Acc. to IPC/JEDEC J-STD-020D-MSL 1
Tolerance	ISO 2768 -mH

Data Sheet

SR213xxHBNC

Page 3/4

P/N

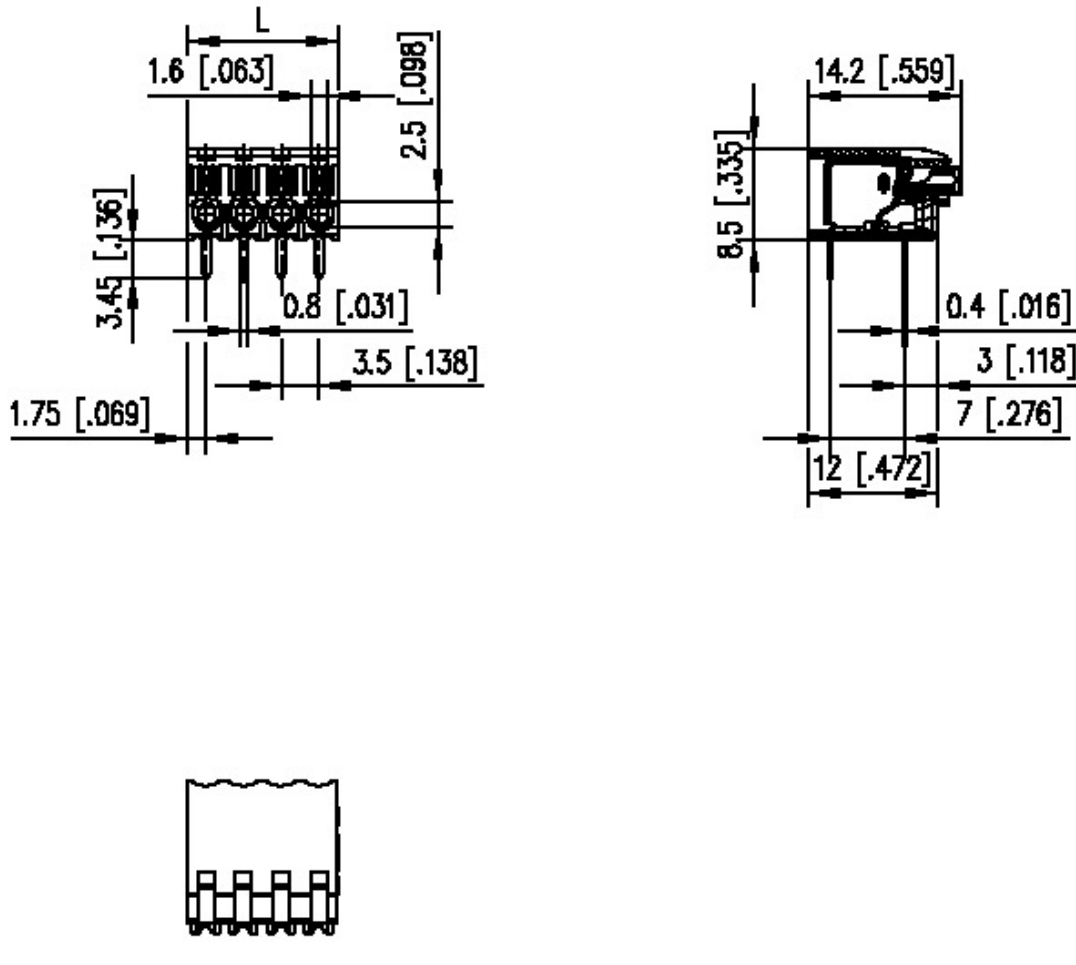
AST223xx

xx=number of poles

2017/01/25

Illustration

Drawing



$$L = (\text{pole size} - 1) \times \text{centerline} + 3.5 [0.138]$$



Data Sheet

SR213xxHBNC

Page 4/4

P/N

AST223xx

xx=number of poles

2017/01/25

PCB Layout

