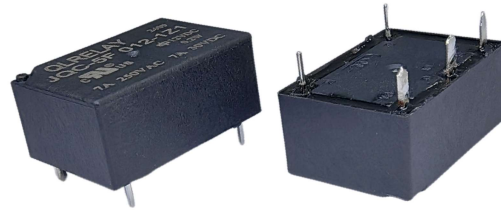


## Power Relay Series 功率继电器系列 -- JQC-5F

### FEATURES特点

- Up to 10A contact switching capability  
高达10A触点切换能力
- Plastic sealed and flux proofed types available  
塑封型与防焊剂型可供选择
- Low height, flat construction  
低高度、扁平式结构
- Overall dimensions (22.6\*16.2\*10.2) mm.  
外形尺寸 (22.6\*16.2\*10.2) mm。



### CONTACT PARAMETERS触点参数

Contact Form触点形式	1Z - 1组转换
Rating Load (Resistive) 额定负载 (阻性)	NO/NC: 7A 250VAC 7A 30VDC
Max. Switching Current最大切换电流	10A
Max. Switching Voltage最大切换电压	250VAC/30VDC
Max. Switching Power最大切换功率	1750VA/210W

### CHARACTERISTICS性能参数

Contact Materials触点材料	Ag Alloy银合金	
Contact Resistance接触电阻	100mΩ Max	
Operate Time吸合时间	10 ms. Max	
Release Time释放时间	5 ms. Max	
Insulation Resistance绝缘电阻	1,000MΩ Min. (DC500V)	
Initial Dielectric Strength介质耐压	between open contacts: 触点与触点间:	AC1,000V, 50/60Hz 1Min
	between contacts and coil: 触点与线圈间:	AC2,500V, 50/60Hz 1Min
Vibration Resistance抗振动	Damage limits: 耐久:	10~55Hz Double Amplitude双振幅1.5mm
	Malfuction: 误动作:	10~55Hz Double Amplitude双振幅1.5mm
Shock Resistance抗冲击	Damage limits: 耐久:	100G Min
	Malfuction: 误动作:	10G Min
Life寿命	Mechanical Life (10800 per hour) 机械寿命 (每小时10800次)	1×10 <sup>7</sup>
	Electrical Life (1800 per hour) 电气寿命 (每小时1800次)	1×10 <sup>5</sup>
Ambient Temperature环境温度	-40°C ~ +85°C (No condensation) (不冷凝)	
Unit Weight单位重量	约Approx. 9.0g	

## COIL RATINGS (at23°C) 线圈参数 (在23°C)

Coil Nominal Voltage 额定电压 (VDC)	Nominal Current 额定电流 ±10%(mA)	Coil Resistance 线圈电阻 ±10% (Ω)	Max. Continuous Voltage 最大连续外加电压	Pick-Up Voltage 吸合电压 (Max)	Drop-Out Voltage 释放电压 (Min)	Rated power 额定功率
3	66.67	45	Coil Nominal Voltage 150% 额定电压的 150%	Coil Nominal Voltage 75% 额定电压的 75%	Coil Nominal Voltage 10% 额定电压的 10%	About 0.20 W 约0.20W
5	40.00	125				
6	33.33	180				
9	22.22	405				
12	16.67	720				
18	11.11	1,620				
24	8.57	2,800				
48	4.17	11,510				
3	133.33	22.5	Coil Nominal Voltage 150% 额定电压的 150%	Coil Nominal Voltage 75% 额定电压的 75%	Coil Nominal Voltage 10% 额定电压的 10%	About 0.40W 约0.40W
5	80.00	62.5				
6	66.67	90.0				
9	44.44	202.5				
12	33.33	360.0				
18	22.22	810.0				
24	16.67	1440.0				
48	8.33	5760.0				

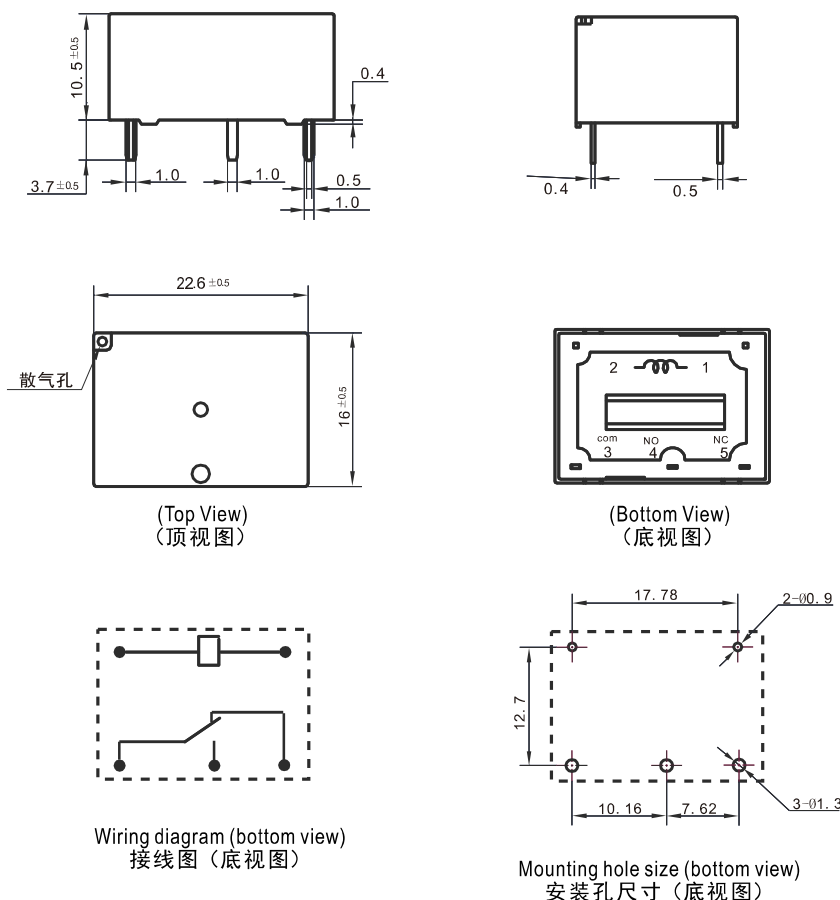
## ORDERING INFORMATION 订货标记

<b>JQC-5F 012 - 1 Z 1</b> 1      2      3      4      5	
1. Model Number 基本型号 JQC-5F  2. Coil Voltage 线圈规格 (VDC): DC3V DC5V DC6V, DC9V, DC12V, DC18V, DC24V,  3. Type of Sealing: 1 - One Pole 开关形式: 1 - 一组开关	4. Contact form: H-1Form A, Z-1Form C 触点形式: H-1组常开 Z-1组转换  5. Coil Power: 1- sensitive type (0.2 W), 6- standard type (0.4W) 线圈功率: 1-灵敏型(0.2 W), 6-标准型(0.4W)

## SAFETY STANDARD 安规认证

AuthType Basic 认证类别	UL
Authentication Load 认证负载	NO: 10A 250VAC 10A 30VDC      NO/NC: 7A 250VAC 7A 30VDC

## OUTLINE DIMENSIONS (UNIT:mm)外形尺寸 (单位: mm)



Undimensioned tolerance:  $<1\text{mm}: \pm 0.2\text{mm}$   $1\sim 5\text{mm}: \pm 0.3\text{mm}$   $>5\text{mm}: \pm 0.4\text{mm}$   
 未标注尺寸公差:  $<1\text{mm}: \pm 0.2\text{mm}$   $1\sim 5\text{mm}: \pm 0.3\text{mm}$   $>5\text{mm}: \pm 0.4\text{mm}$

Note: 1. The size of the lead foot is pre welding dimension. 注: 1、引出脚尺寸为预焊前尺寸  
 2. installation hole size tolerance:  $+0.1\text{mm}$  2、安装孔尺寸公差:  $\pm 0.1\text{mm}$

## TYPICAL USE 典型用途

- Home Appliances, Office Automation, Smart Home Products, Smart Plug Series
- 家用电器, 办公自动设备, 智能家居产品, 智能插座系列

## PERFORMANCE CHART 性能曲线图

