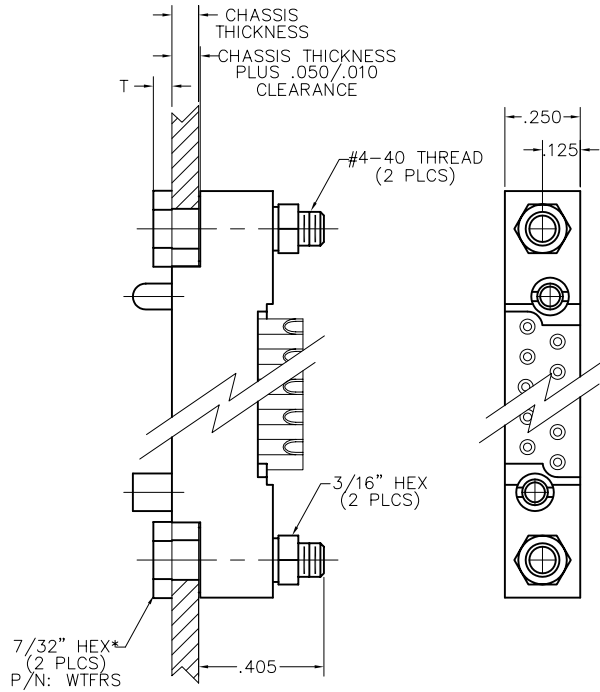


## Accessories

### Floating Mounts for WTB-WTK Receptacles



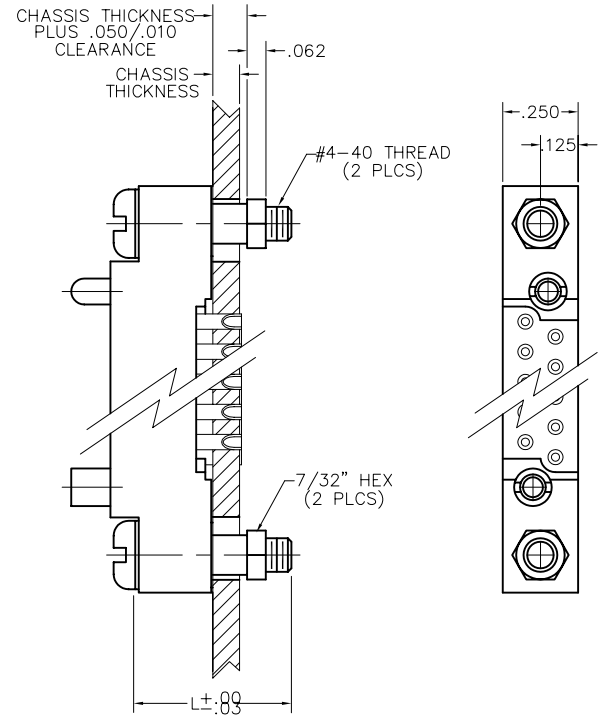
FLOATING MOUNT  
REAR

DIMENSIONS			
CHASSIS THICKNESS	MOUNTING SCREW HEX HEAD	MOUNTING SCREW ROUND HEAD	T
.062	WTFRS062	WTFRAS062	.062
.093	WTFRS093	WTFRAS093	.062
.125	WTFRS125	WTFRAS125	.050

CONNECTOR SIZES 10-70 REQUIRE 2 WTFRS SCREW ASSEMBLIES.

CONNECTOR SIZES OVER 70 REQUIRE 2 WTFRS ASSEMBLIES AND ONE WTFRA SCREW ASSEMBLY.

\* - 7/32 DIA ROUND HEAD - WTFRAS  
CENTER POSITION ON SIZES OVER 70

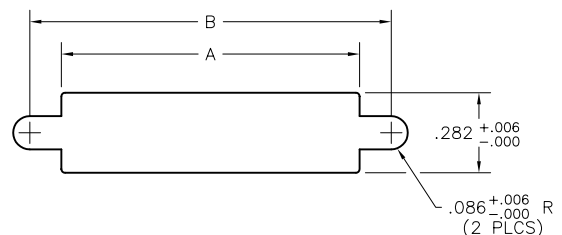


FLOATING MOUNT  
FRONT

DIMENSIONS			
CHASSIS THICKNESS	BUSHING	QTY. REQ. FOR SIZES 10-70	L
.062	WTFFS062	2	.50
.093	WTFFS093		.50
.125	WTFFS125		.56

DIMENSIONS					
SIZE	A +.006 -.000	B ±.003	SIZE	A +.006 -.000	B ±.003
10	.882	1.100	44	2.582	2.800
14	1.082	1.300	50	2.882	3.100
20	1.382	1.600	54	3.082	3.300
24	1.582	1.800	56	3.182	3.400
26	1.682	1.900	60	3.382	3.600
30	1.882	2.100	66	3.682	3.900
36	2.182	2.400	70	3.882	4.100
40	2.382	2.600			

### CHASSIS CUTOUT WTB-WTK, SIZES 10-70



# Mouser Electronics

Authorized Distributor

Click to View Pricing, Inventory, Delivery & Lifecycle Information:

[AirBorn:](#)

[WTFFS062](#) [WTFFS125](#) [WTFRAS062](#) [WTFRS062](#) [WTFRS093](#)