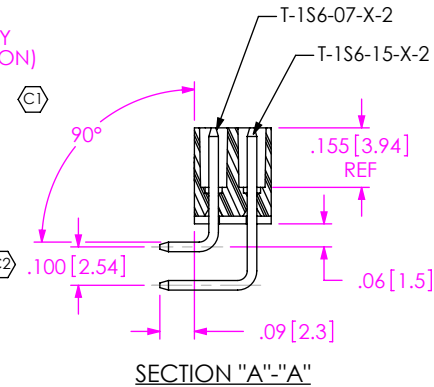
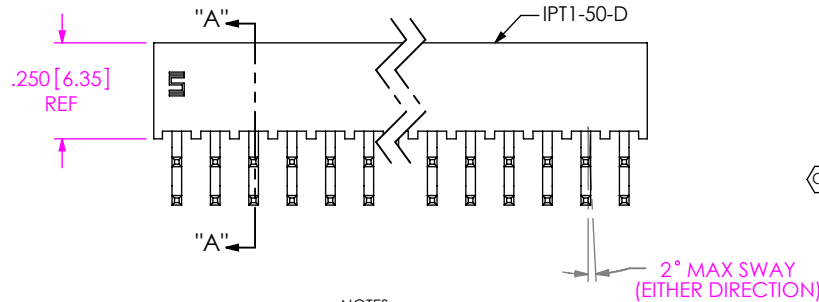
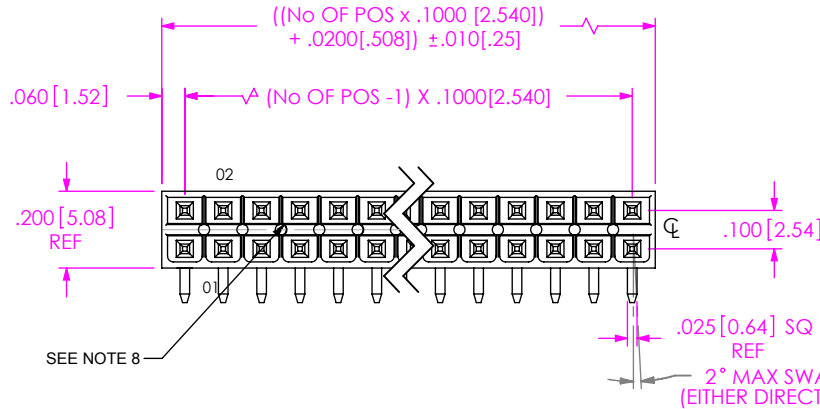


DO NOT SCALE FROM THIS PRINT

IPT1-1XX-XX-XX-D-RA-XX



No OF POS PER ROW
-02 THRU -25

LEAD STYLE
-01

PLATING SPECIFICATION

- S: SELECTIVE GOLD, 30 Au / 50 Ni MIN ON CONTACT, MATTE TIN TAIL
- H: HEAVY GOLD, 30 Au / 50 Ni MIN ON CONTACT, 3 Au / 50 Ni MIN ON TAIL
- L: LIGHT SELECTIVE GOLD, 10 Au / 50 Ni MIN ON CONTACT, MATTE TIN TAIL
- SM: SELECTIVE HEAVY GOLD, 30 Au / 50 Ni MIN ON CONTACT, MATTE TIN TAIL

OPTION

- (SEE NOTE 13)
- PL: POSITION #1 REMOVED (USE IPT1-XX-D-P)
- FL: FRICTION LOCK [POS -05 THRU -25] (USE IPT1-XX-D-FL-X & T-1S64-XX-X) (FOR -FL-POL OPTION COMBINATION USE IPT1-XX-D-FL-P & T-1S64-XX-X)

TAIL OPTION

- RA: RIGHT ANGLE

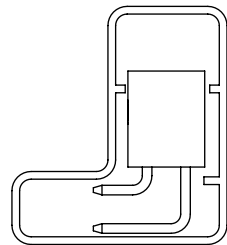
ROW SPECIFICATION

- (SEE NOTE 12)
- D: DOUBLE (USE IPT1-XX-D)

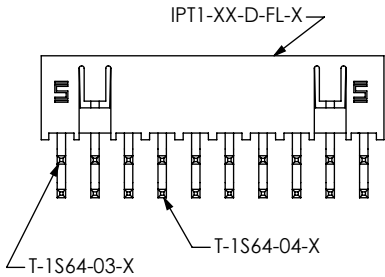
NOTES:

- Ⓢ REPRESENTS A CRITICAL DIMENSION.
- MAXIMUM ALLOWABLE CUT FLASH: .010 [2.5].
- MINIMUM TERMINAL PUSH OUT FORCE: 2 lbs.
- MAXIMUM VARIATION BETWEEN PIN ROWS: .005 [1.3].
- "END WALLS" AFTER CUTTING SHOULD BE .015+/- .003 [38+/- .08].
- NOTE DELETED.
- ALL DIMENSIONS TO BE ABOUT CENTERLINE WITHIN +/- .005 [1.3].
- PRESENCE OF VOIDS IS OPTIONAL AND PATTERN TO WHICH THEY OCCUR IS VARIABLE.
- T PLATING OPTION AVAILABLE FOR EXISTING CUSTOMERS ONLY.
- NOTE DELETED.
- SAMTEC LOGO INDICATES THE FIRST ROW TO BE FILLED FOR -RA APPLICATION.
- STANDARD BODIES CAN BE CUT TO POSITION. FOR OPTIONS -PL & -FL, BODIES MUST BE MOLDED TO POSITION.
- FOR EXISTING CUSTOMERS ONLY, -POL CAN BE SUBSTITUTED FOR -PL.

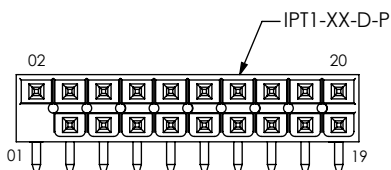
PACKAGING VIEW



-FL: FRICTION LOCK OPTION
IPT1-110-01-X-D-RA-FL SHOWN

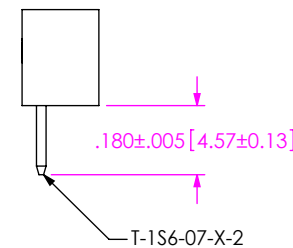


-PL: POLARIZED OPTION
IPT1-110-01-X-D-RA-PL SHOWN

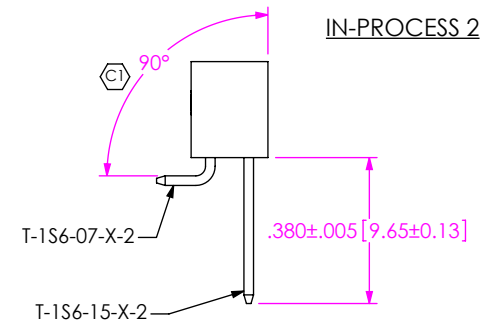


IN-PROCESS 1

(SEE NOTES 10 & 11)



IN-PROCESS 2



PROPRIETARY NOTE

UNLESS OTHERWISE SPECIFIED, DIMENSIONS ARE IN INCHES. TOLERANCES ARE:

DECIMALS	ANGLES
.XX: ± .01 [3]	± 2°
.XXX: ± .005 [13]	
.XXXX: ± .0020 [0.51]	

THIS DOCUMENT CONTAINS CONFIDENTIAL AND PROPRIETARY INFORMATION AND ALL DESIGN, MANUFACTURING, REPRODUCTION, USE, PATENT RIGHTS AND SALES RIGHTS ARE EXPRESSLY RESERVED BY SAMTEC, INC. THIS DOCUMENT SHALL NOT BE DISCLOSED, IN WHOLE OR PART, TO ANY UNAUTHORIZED PERSON OR ENTITY NOR REPRODUCED, TRANSFERRED OR INCORPORATED IN ANY OTHER PROJECT IN ANY MANNER WITHOUT THE EXPRESS WRITTEN CONSENT OF SAMTEC, INC.



520 PARK EAST BLVD, NEW ALBANY, IN 47150
PHONE: 812-944-6733 FAX: 812-948-5047
e-Mail: info@SAMTEC.com code 55322

MATERIAL: DO NOT SCALE DRAWING SHEET SCALE: 2:1
INSULATOR: LCP, UL 94 VO, COLOR: BLACK
CONTACT: PHOS BRONZE, 510, 3/4 HARD

DESCRIPTION:
.100 DOUBLE ROW SHROUDED TERMINAL ASSEMBLY

DWG. NO. IPT1-1XX-XX-XX-D-RA-XX

BY: DEAN P 11-05-2002 SHEET 1 OF 1

Mouser Electronics

Authorized Distributor

Click to View Pricing, Inventory, Delivery & Lifecycle Information:

Samtec:

[IPT1-115-01-S-D-RA](#) [IPT1-105-01-S-D-RA](#) [IPT1-110-01-S-D-RA](#) [IPT1-106-01-S-D-RA](#) [IPT1-125-01-L-D-RA](#) [IPT1-120-01-L-D-RA](#) [IPT1-120-01-S-D-RA](#) [IPT1-115-01-L-D-RA](#) [IPT1-110-01-L-D-RA](#) [IPT1-105-01-L-D-RA](#) [IPT1-107-01-L-D-RA](#) [IPT1-103-01-S-D-RA](#) [IPT1-109-01-S-D-RA](#) [IPT1-107-01-S-D-RA](#) [IPT1-108-01-S-D-RA](#) [IPT1-116-01-S-D-RA](#) [IPT1-118-01-S-D-RA](#) [IPT1-104-01-S-D-RA](#) [IPT1-113-01-S-D-RA](#) [IPT1-125-01-S-D-RA](#) [IPT1-111-01-S-D-RA](#) [IPT1-150-01-S-D-RA](#) [IPT1-105-01-S-D-RA-FL](#) [IPT1-112-01-S-D-RA](#) [IPT1-120-01-H-D-RA](#) [IPT1-125-01-S-D-RA-FL](#) [IPT1-105-01-SM-D-RA](#) [IPT1-110-01-SM-D-RA](#) [IPT1-125-01-SM-D-RA](#) [IPT1-107-01-SM-D-RA](#) [IPT1-107-01-S-D-RA-FL](#) [IPT1-102-01-S-D-RA](#) [IPT1-119-01-S-D-RA](#) [IPT1-110-01-H-D-RA](#) [IPT1-112-01-H-D-RA](#) [IPT1-110-01-S-D-RA-PL](#) [IPT1-117-01-L-D-RA](#) [IPT1-103-01-L-D-RA](#) [IPT1-105-01-S-D-RA-PL](#) [IPT1-109-01-L-D-RA](#) [IPT1-111-01-L-D-RA](#) [IPT1-125-01-S-D-RA-PL](#) [IPT1-115-01-S-D-RA-PL](#) [IPT1-108-01-L-D-RA](#) [IPT1-120-01-S-D-RA-PL](#) [IPT1-104-01-L-D-RA](#) [IPT1-102-01-H-D-RA](#) [IPT1-102-01-L-D-RA](#) [IPT1-106-01-L-D-RA](#) [IPT1-120-01-L-D-RA-FL](#) [IPT1-105-01-L-D-RA-FL](#) [IPT1-150-01-L-D-RA](#) [IPT1-115-01-L-D-RA-PL](#) [IPT1-106-01-L-D-RA-PL](#) [IPT1-115-01-S-D-RA-FL](#) [IPT1-120-01-S-D-RA-FL](#) [IPT1-105-01-L-D-RA-PL](#) [IPT1-120-01-L-D-RA-PL](#) [IPT1-106-01-S-D-RA-FL](#) [IPT1-108-01-S-D-RA-FL](#) [IPT1-105-01-H-D-RA](#) [IPT1-113-01-L-D-RA](#) [IPT1-116-01-L-D-RA](#) [IPT1-115-01-L-D-RA-FL](#) [IPT1-112-01-L-D-RA](#)