

ESP WIFI MODULE DEVELOPMENT KIT

Features

- Complete Wi-Fi 802.11b/g/n, 1T1R mode data rate up to 150Mbps
- Support BLE5.0, Classic Bluetooth is not supported, rate support: 125Kbps, 500Kbp, 1Mbps, 2Mbps
- 32-bit RISC-V single-core processor, supports a clock frequency of up to 160 MHz, with 400 KB SRAM, 384 KB ROM, 8KB RTC SRAM
- Support UART/PWM/GPIO/ADC/I2C/I2S interface, temperature sensor, pulse counter
- The development board has RGB three-in-one lamp beads, which is convenient for customers to develop
- Integrated Wi-Fi MAC/BB/RF/PA/LNA/BLE
- Support multiple sleep modes, deep sleep electric current is less than 5uA
- UART rate up to 5Mbps 5Mbps
- Support STA/AP/STA+AP mode and mix mode.
- Support Smart Config (APP)/AirKiss (WeChat) of Android and IOS One-click network configuration
- Support UART port location upgrade and remote firmware upgrade (FOTA)
- General AT commands can be better understand
- Support secondary development, integrated Windows, Linux development environment
- ESP-C3-13U default adopt 4MByte Flash build-in chip, and does not support Flash expansion

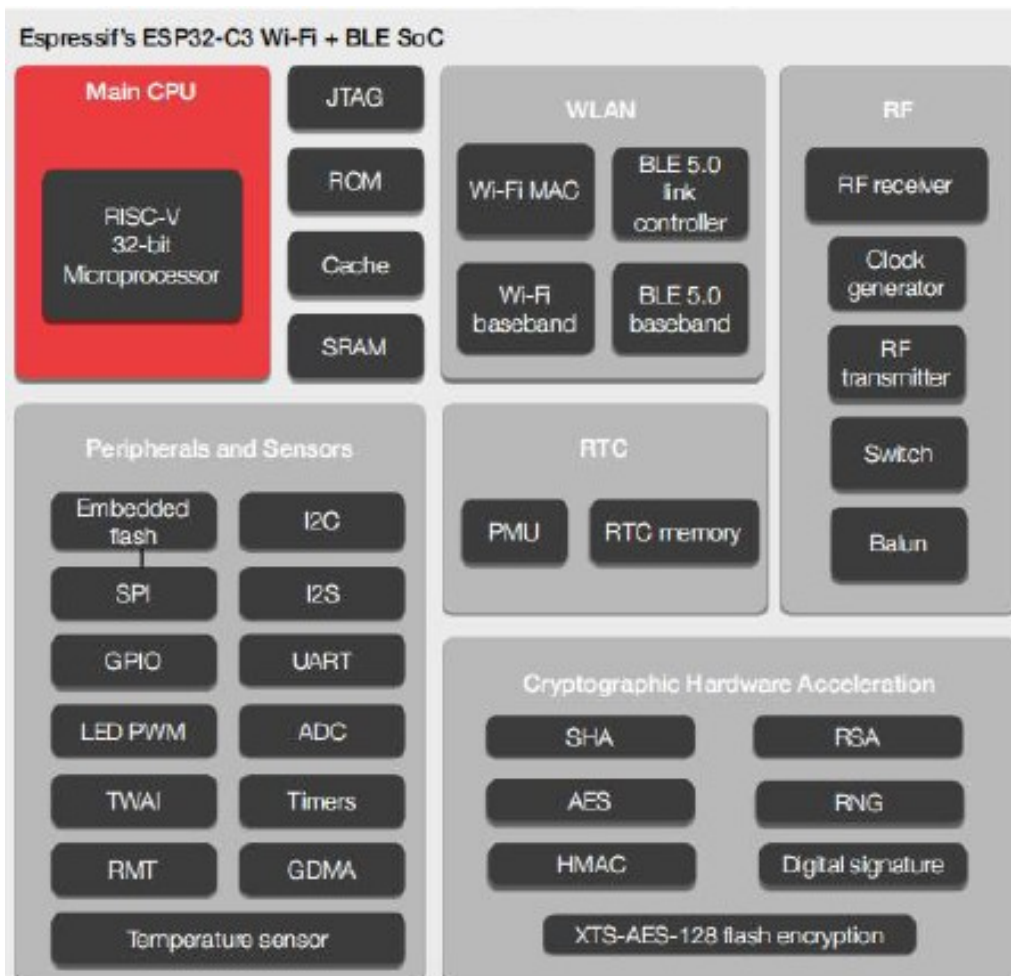


Product Overview

ESP-C3-13U-Kit is a core development board based on ESP-C3-13Umodules. The development board continues the classic design of the NodeMCU development board and leads to all I/Os on both sides. With pin headers, developers can connect peripherals according to their needs. When using the breadboard for development and debugging, the standard headers on both sides can make the operation easier and more convenient.

ESP-C3-13U is a Wi-Fi module, This module core processor ESP32-C3 is a Wi-Fi+ BLE combination of system-level chips (SoC), designed for various applications such as internet of things (IoT), mobile devices, wearable electronics, smart home, etc.

ESP32-C3 with industry-leading low power and RF performance, supporting Wi-Fi IEEE802.11b/g/n agreements and BLE 5.0. ESP32-C3 chip is equipped with 32-bit RISC-V single-core processor, operating frequency up to 160 MHz. The chip is support to have secondary development without using other microcontrollers or processors. The chip has a built-in 400 KB SRAM, 384 KB ROM, 8KB RTC SRAM. Also, the chip support external Flash while it built-in 4Mbit Flash. ESP32-C3 chip supports a variety of low-power consumption working states, which can meet the power consumption requirements of various application scenarios. The chip's unique features such as fine clock gating function, dynamic voltage clock frequency adjustment function, and RF output power adjustable function can achieve the best balance between communication distance, communication speed and power consumption. ESP-C3-13U provides a wealth of peripheral interfaces, including UART, PWM, SPI, I2S, I2C, ADC, temperature sensor and there are 15 GPIOs. ESP-C3-13U has a variety of unique hardware safety mechanisms. The hardware encryption accelerator supports AES, SHA and RSA algorithm. Among them, RNG, HMAC and Digital Signature modules provide more security features. Other security features include flash encryption and se-cure boot signature verification, etc. The perfect security mechanism enables the chip to be perfectly applied to various encryption products. ESP-C3-13U module supports low-power Bluetooth: Bluetooth5, Bluetooth mesh. Bluetooth rate support: 125Kbps, 500Kbps, 1Mbps, 2Mbps. Support broadcast extension, multi-broadcasting, channel selection.



1.2. Main Parameters

Table 1 Main Parameter Descriptions

| | |
|---------------------------------|---|
| Model Name | ESP-C3-13U-Kit |
| Package | DIP-30 |
| Size | 20.0*18.0*3.1(±0.2)mm |
| Antenna | Compatible with on-board PCB antenna/IPEX |
| Frequency Range | 2400 ~ 2483.5MHz |
| Operating Temperature | -40 °C ~ 85 °C |
| Store Temperature | -40 °C ~ 125 °C , < 90%RH |
| Power supply range | Supply voltage 5V, Supply current >500mA |
| Support Interface | UART/GPIO/ADC/PWM/I2C/I2S |
| IO | IO0,IO1,IO2,IO3,IO4,IO5,IO6,IO7,IO8,IO9,IO10,IO18,IO19, IO20,IO21 |
| UART Rate | Support 110 ~ 4608000 bps, default 115200 bps |
| Bluetooth | BLE 5.0 |
| Security | WEP/WPA-PSK/WPA2-PSK |
| SPI Flash | Default 4MByte, support 2MByte version |
| Wiring of onboard lights | IO5 connects to RGB blue lamp beads; IO3 connects to RGB red lamp beads; IO4 connects to RGB green lamp beads; IO19 connects to cool color lamp beads; IO18 connects to warm color lamp beads; (high level effective) |

2.0 Electrical Parameters

ESP-C3-13U-Kit is development board is electrostatic sensitive devices and special precautions need to be taken when handling.



2.1 Electrical Characteristics

| Parameters | Conditions | Min | Typical values | Max | Unit | |
|----------------|----------------------------------|-----|----------------|-----|-----------------|----|
| Supply voltage | VDD | 3.0 | 3.3 | 5.0 | V | |
| I/O | V _{IL} /V _{IH} | - | -0.3/0.75VDD | - | 0.25VDD/VDD+0.3 | V |
| | V _{OL} /V _{OH} | - | N/0.8VIO | - | 0.1VIO/N | V |
| | I _{MAX} | - | - | - | 12 | mA |

2.2 WIFI RF Performance

| Description | Typical values | Unit |
|--------------------------------|----------------|------|
| Operating frequency | 2400 - 2483.5 | MHz |
| Output power | | |
| 11n mode HT40, PA output power | 15±2 | dBm |
| 11n mode HT20, PA output power | 15±2 | dBm |
| 11g mode, PA output power | 16±2 | dBm |
| 11b mode, PA output power | 18±2 | dBm |
| Receiving sensitivity | | |
| CCK, 1 Mbps | -96±2 | dBm |
| CCK, 11 Mbps | -88±2 | dBm |
| 6 Mbps (1/2 BPSK) | -92±2 | dBm |
| 54 Mbps (3/4 64-QAM) | -75±2 | dBm |
| HT20 (MCS7) | -73±2 | dBm |
| HT40 (MCS7) | -70±2 | dBm |

2.3 BLE RF Performance

| Description | Typical values | Unit |
|---|----------------|------|
| Output power | | |
| Transmit power | 0±2 | dBm |
| Receiving sensitivity Low Energy consumption BLE: 1M | | |
| Sensitivity@30.8%PER | -96±2 | dBm |

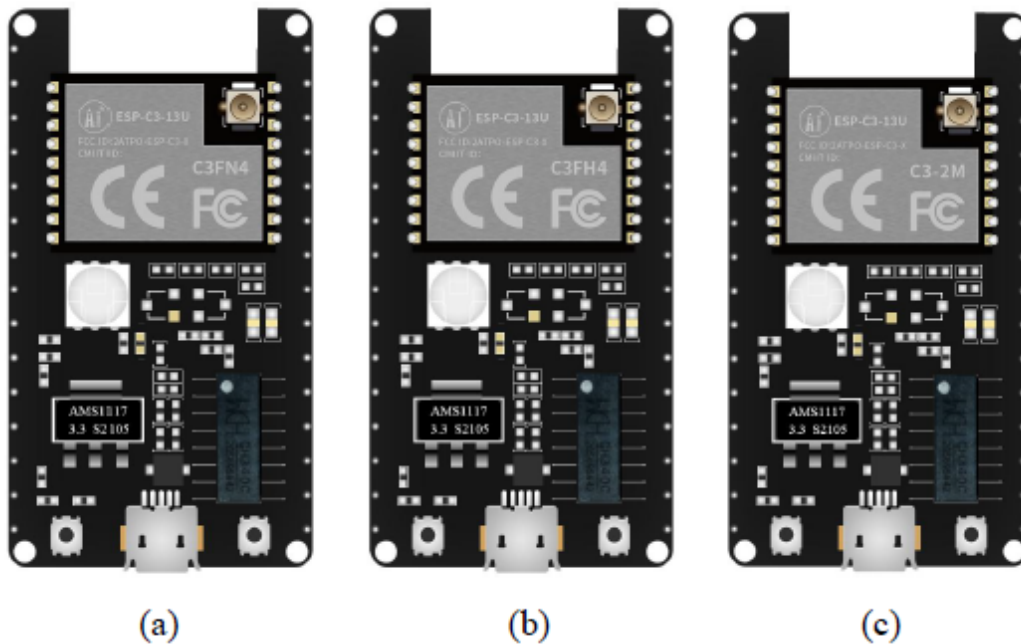
The following power consumption data are based on a 3.3 V power supply, 25°C ambient temperature and measured using an internal voltage regulator.

- All measurements were completed at the antenna interface without SAW filters
- All emission data are based on a duty cycle of 90%, measured in the mode of continuous emission.

| Mode | Mix | Typical values | Max | Unit |
|---------------------------------------|-----|----------------|-----|------|
| Tx 802.11b, CCK 1Mbps, POUT=+20dBm | - | 350 | - | mA |
| Tx 802.11g, OFDM 54Mbps, POUT =+18dBm | - | 290 | - | mA |
| Tx 802.11n, MCS7, POUT =+17dBm | - | 280 | - | mA |
| Rx 802.11b, 1024 bit | - | 90 | - | mA |
| Rx 802.11g, 1024 bit | - | 90 | - | mA |
| Rx 802.11n, 1024 bit | - | 93 | - | mA |
| Modem-Sleep ^① | - | 20 | - | mA |
| Light-Sleep ^② | - | 130 | - | μA |
| Deep-Sleep ^③ | - | 5 | - | μA |
| Power Off | - | 1 | - | μA |

3. Appearance Dimensions

ESP-C3-13U-Kit development board four different package appearance diagrams



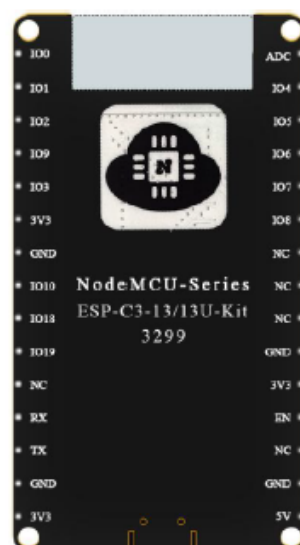
(The picture and silk screen are for reference only, the actual product shall prevail)

Different package selection instructions:

Figure (a) Type package (normal version): compatible with PCB on-board antenna and IPEX external antenna, built-in 4M flash;

Figure (b) Type package (high temperature version): compatible with PCB onboard antenna and IPEX external antenna, built-in 4M flash;

Figure (c) Type package: compatible with PCB on-board antenna and IPEX external antenna, external 2M flash



(The picture and silk screen are for reference only, the actual product shall prevail)

4. Pin Description



ESP-C3-13U-Kit Diagram of Pin

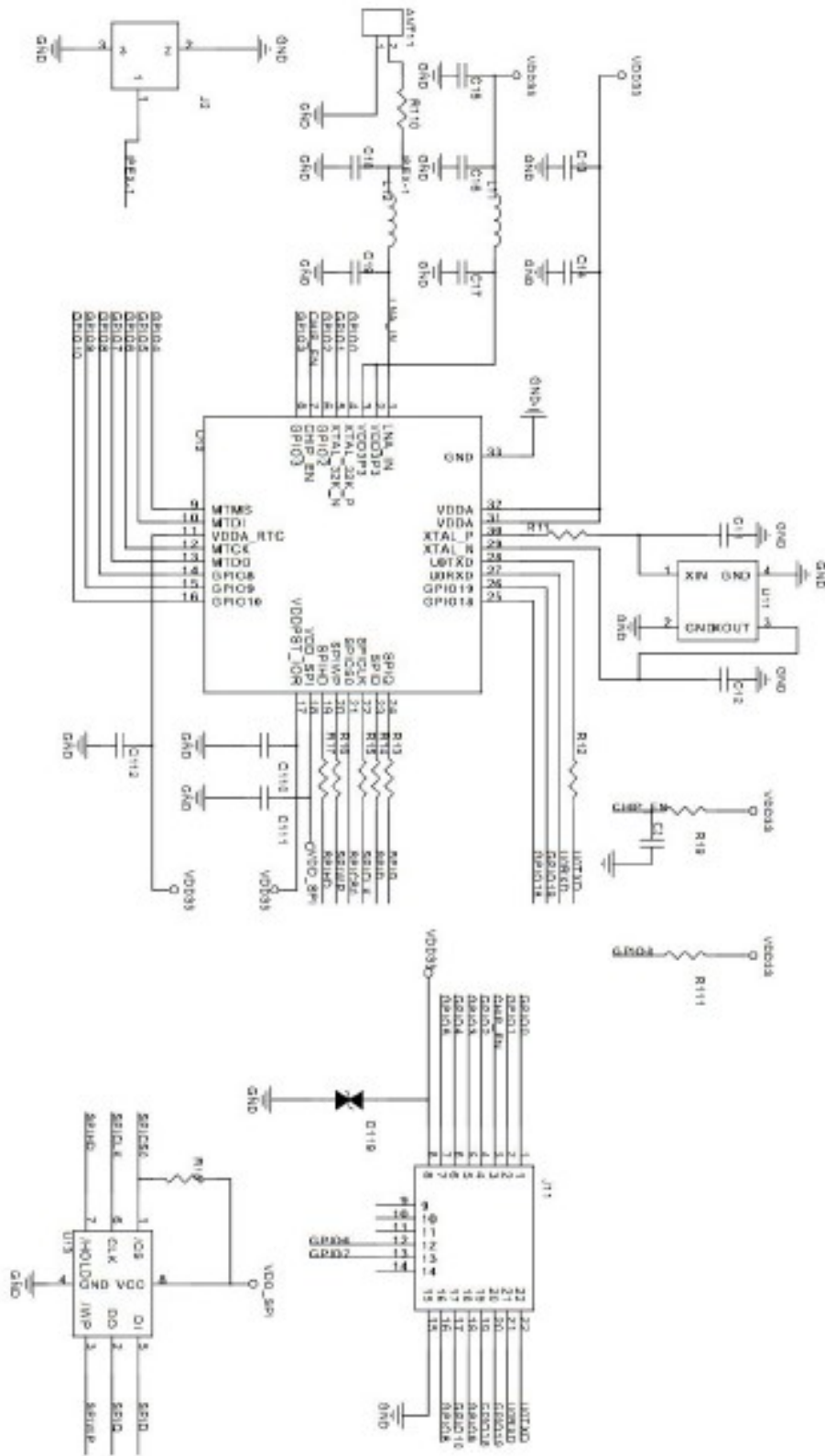
ESP-C3-13U-Kit development board module is connected to 30 interfaces, refer to pin diagram, pin function definition table is interface definition.

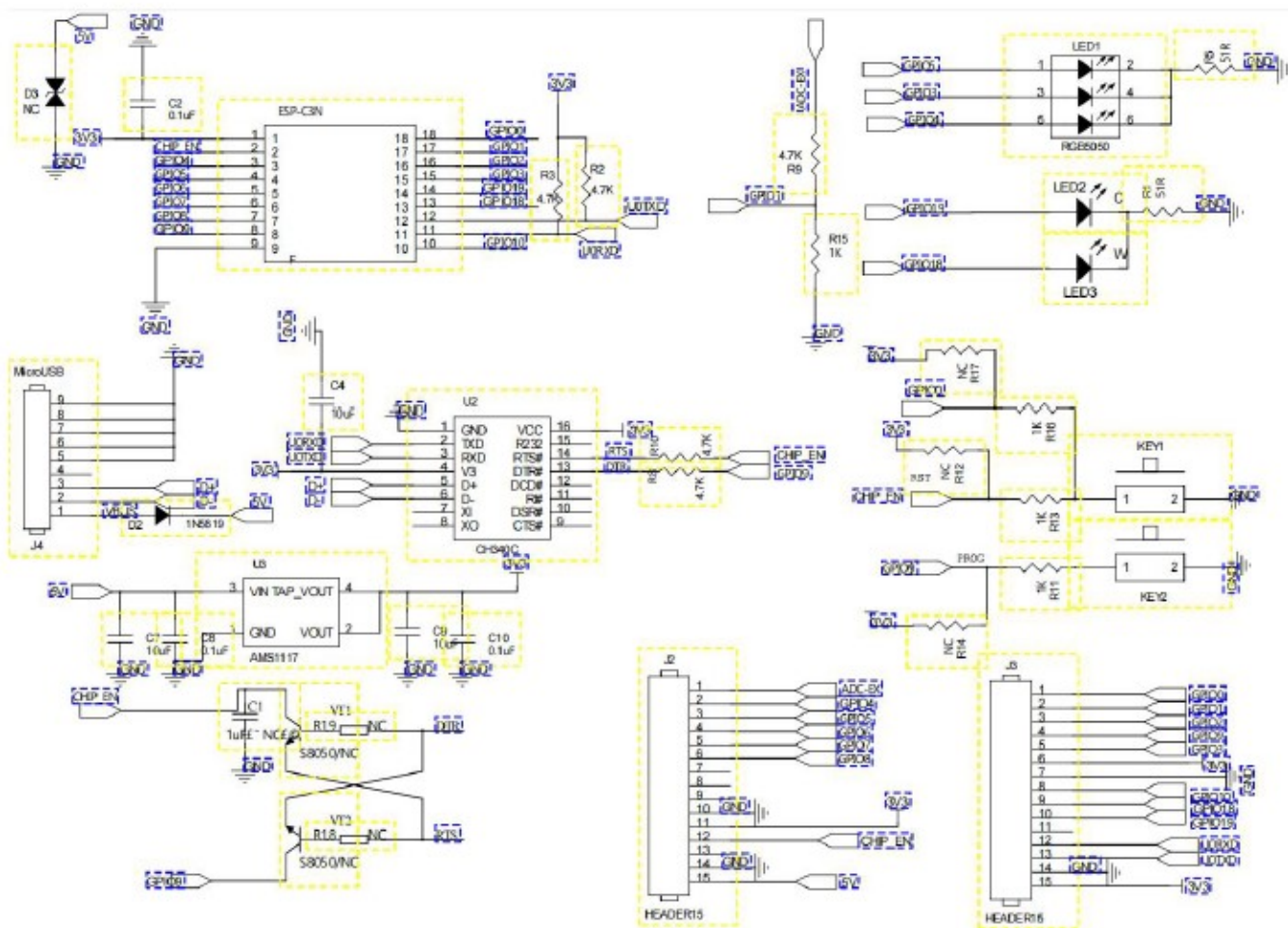
Pin function definition

| No. | Name | Function |
|-----|------|---------------------------------|
| 1 | ADC | ADC_CHECK(ADC1_CH0) |
| 2 | IO4 | IO04 / ADC1_CH4 / FSPIHD / MTMS |
| 3 | IO5 | IO05 / ADC2_CH0 / FSPIWP / MTDI |
| 4 | IO6 | IO6 / FSPICLK / MTCK |
| 5 | IO7 | IO7 / FSPID / MTDO |
| 6 | IO8 | IO8 |
| 7 | NC | NC |
| 8 | NC | NC |
| 9 | NC | NC |
| 10 | GND | GND |
| 11 | 3V3 | Digital 3.3V power output |

| | | |
|----|------|--|
| 12 | EN | High level: chip enabled; Low level: chip shutdown; Pay attention not to leave the CHIP_PU pin floating; |
| 13 | NC | NC |
| 14 | GND | GND |
| 15 | 5V | 5V power input |
| 16 | 3V3 | Digital 3.3V power output |
| 17 | GND | GND |
| 18 | TX | TX0 / IO21 |
| 19 | RX | RX0 / IO20 |
| 20 | NC | NC |
| 21 | IO19 | IO19 |
| 22 | IO18 | IO18 |
| 23 | IO10 | IO10 / FSPICSO |
| 24 | GND | GND |
| 25 | 3V3 | Digital 3.3V power output |
| 26 | IO3 | IO03 / ADC1_CH3 |
| 27 | IO9 | IO9 |
| 28 | IO2 | IO2 / ADC1_CH2 / FSPIQ |
| 29 | IO1 | IO1 / ADC1_CH1 / XTAL_32K_N |
| 30 | IO0 | IO0 / ADC1_CH0 / XTAL_32K_N |

5. Schematic Diagrams





6. Design Guidance

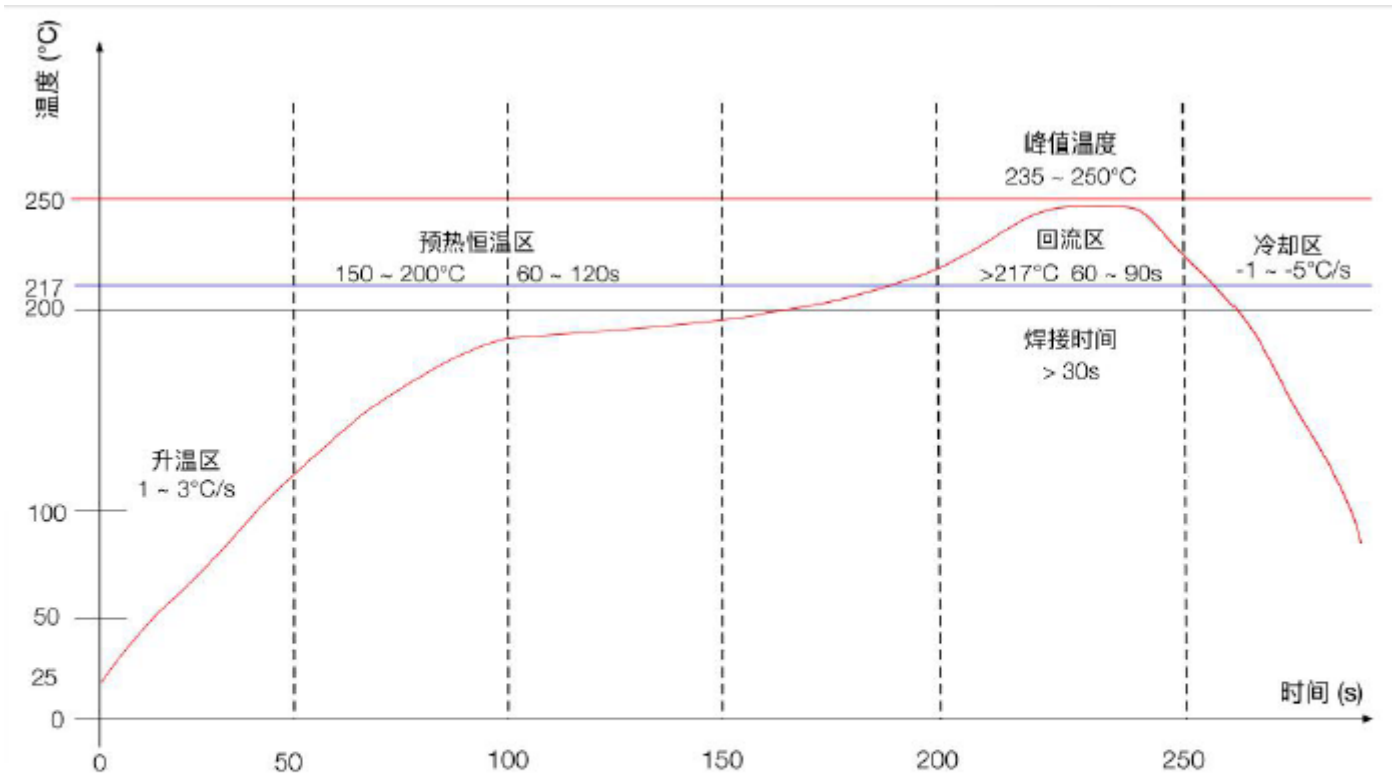
6.1 Power supply

- Recommend 5V voltage, peak current above 500m.
- It is recommended to use LDO for power supply; if DC-DC is used, the ripple is recommended to be controlled within 30mV.
- DC-DC the power supply circuit, it is suggested to reserve the position of output ripple can be optimized when the load changes greatly.
- It is recommended to add ESD devices to the 5V power interface.

6.2 Antenna layout requirements

It is forbidden to place metal parts around the module antenna, away from high-frequency components.

7. Reflow Soldering Curve



升温区 — 温度: 25 ~ 150°C 时间: 60 ~ 90s 升温斜率: 1 ~ 3°C/s

预热恒温区 — 温度: 150 ~ 200°C 时间: 60 ~ 120s

回流焊接区 — 温度: >217°C 时间: 60 ~ 90s; 峰值温度: 235 ~ 250°C 时间: 30 ~ 70s

冷却区 — 温度: 峰值温度 ~ 180°C 降温斜率 -1 ~ -5°C/s

焊料 — 锡银铜合金无铅焊料 (SAC305)

8. Packaging Information

The packaging of the ESP-C3-01U-Kit development board is an electrostatic bag with pearl cotton inserted.

Simplified Declaration of Conformity (RED)

BG - С настоящото RF Solutions Limited декларира, че този тип радиосъоръжение Carlton-8T16 е в съответствие с Директива 2014/53/ЕС. Цялостният текст на ЕС декларацията за съответствие може да се намери на следния интернет адрес: www.rfsolutions.co.uk

CS -Tímto RF Solutions Limited prohlašuje, že typ rádiového zařízení Carlton-8T16 je v souladu se směrnicí 2014/53/EU. Úplné znění EU prohlášení o shodě je k dispozici na této internetové adrese: www.rfsolutions.co.uk

DA - Hermed erklærer RF Solutions Limited, at radioudstyrstypen Carlton-8T16 er i overensstemmelse med direktiv 2014/53/EU. EU-overensstemmelseserklæringens fulde tekst kan findes på følgende internetadresse: www.rfsolutions.co.uk

DE - Hiermit erklärt RF Solutions Limited, dass der Funkanlagentyp Carlton-8T16 der Richtlinie 2014/53/EU entspricht. Der vollständige Text der EU-Konformitätserklärung ist unter der folgenden Internetadresse verfügbar: www.rfsolutions.co.uk

EL - Με την παρούσα ο/η RF Solutions Limited, δηλώνει ότι ο ραδιοεξοπλισμός Carlton-8T16 πληροί την οδηγία 2014/53/ΕΕ. Το πλήρες κείμενο της δήλωσης συμμόρφωσης ΕΕ διατίθεται στην ακόλουθη ιστοσελίδα στο διαδίκτυο: www.rfsolutions.co.uk

EN - Hereby, RF Solutions Limited declares that the radio equipment type Carlton-8T16 is in compliance with Directive 2014/53/EU. The full text of the EU declaration of conformity is available at the following internet address: www.rfsolutions.co.uk

ES - Por la presente, RF Solutions Limited declara que el tipo de equipo radioeléctrico Carlton-8T16 es conforme con la Directiva 2014/53/UE. El texto completo de la declaración UE de conformidad está disponible en la dirección Internet siguiente: www.rfsolutions.co.uk

ET -Käesolevaga deklareerib RF Solutions Limited, et käesolev raadioseadme tüüp Carlton-8T16 vastab direktiivi 2014/53/EL nõuetele. Eli vasta-vusdeklaratsiooni täielik tekst on kättesaadav järgmisel internetiaadressil: www.rfsolutions.co.uk

FI -RF Solutions Limited vakuuttaa, että radiolaitetyyppi Carlton-8T16 on direktiivin 2014/53/EU mukainen. EU-vaatimustenmukaisuusvakuutuksen täy-simittainen teksti on saatavilla seuraavassa internetosoitteessa: www.rfsolutions.co.uk

FR - Le soussigné, RF Solutions Limited, déclare que l'équipement radioélectrique du type Carlton-8T16 est conforme à la directive 2014/53/UE. Le texte complet de la déclaration UE de conformité est disponible à l'adresse internet suivante: www.rfsolutions.co.uk

HR - RF Solutions Limited ovime izjavljuje da je radijska oprema tipa Carlton-8T16 u skladu s Direktivom 2014/53/EU. Cjeloviti tekst EU izjave o suklad-nosti dostupan je na sljedećoj internetskoj adresi: www.rfsolutions.co.uk

HU - RF Solutions Limited igazolja, hogy a Carlton-8T16 típusú rádióberendezés megfelel a 2014/53/EU irányelvnek. Az EU-megfelelőségi nyilatkozat teljes szövege elérhető a következő internetes címen: www.rfsolutions.co.uk

IT - Il fabbricante, RF Solutions Limited, dichiara che il tipo di apparecchiatura radio Carlton-8T16 è conforme alla direttiva 2014/53/UE. Il testo completo della dichiarazione di conformità UE è disponibile al seguente indirizzo Internet: www.rfsolutions.co.uk

LT - Aš, RF Solutions Limited, patvirtinu, kad radijo įrenginių tipas Carlton-8T16 atitinka Direktyvą 2014/53/ES. Visas ES atitikties deklaracijos tekstas prieinamas šiuo interneto adresu: www.rfsolutions.co.uk

LV - Ar šo RF Solutions Limited deklarē, ka radioiekārta Carlton-8T16 atbilst Direktīvai 2014/53/ES. Pilns ES atbilstības deklarācijas teksts ir pieejams šādā interneta vietnē: www.rfsolutions.co.uk

MT - B'dan, RF Solutions Limited, niddikjara li dan it-tip ta' taghmir tar-radju Carlton-8T16 huwa konformi mad-Direttiva 2014/53/UE. It-test kollu tad-dikjarazzjoni ta' konformità tal-UE huwa disponibbli f'dan l-indirizz tal-Internet li ġej: www.rfsolutions.co.uk

NL - Hierbij verklaar ik, RF Solutions Limited, dat het type radioapparatuur Carlton-8T16 conform is met Richtlijn 2014/53/EU. De volledige tekst van de EU-conformiteitsverklaring kan worden geraadpleegd op het volgende internetadres: www.rfsolutions.co.uk

PL - RF Solutions Limited niniejszym oświadczam, że typ urządzenia radiowego Carlton-8T16 jest zgodny z dyrektywą 2014/53/UE. Pełny tekst deklaracji zgodności UE jest dostępny pod następującym adresem internetowym: www.rfsolutions.co.uk

PT - O(a) abaixo assinado(a) RF Solutions Limited declara que o presente tipo de equipamento de rádio Carlton-8T16 está em conformidade com a Dire-tiva 2014/53/UE. O texto integral da declaração de conformidade está disponível no seguinte endereço de Internet: www.rfsolutions.co.uk

RO - Prin prezenta, RF Solutions Limited declară că tipul de echipamente radio Carlton-8T16 este în conformitate cu Directiva 2014/53/UE. Textul integral al declarației UE de conformitate este disponibil la următoarea adresă internet: www.rfsolutions.co.uk

SK - RF Solutions Limited týmto vyhlasuje, že rádiové zariadenie typu Carlton-8T16 je v súlade so smernicou 2014/53/EÚ. Úplné EÚ vyhlásenie o zhode je k dispozícii na tejto internetovej adrese: www.rfsolutions.co.uk

SL - RF Solutions Limited potrjuje, da je tip radijske opreme Carlton-8T16 skladen z Direktivo 2014/53/EU. Celotno besedilo izjave EU o skladnosti je na voljo na naslednjem spletnem naslovu: www.rfsolutions.co.uk

SV - Härmed försäkrar RF Solutions Limited att denna typ av radioutrustning Carlton-8T16 överensstämmer med direktiv 2014/53/EU. Den fullständiga texten till EU-försäkran om överensstämmelse finns på följande webbadress: www.rfsolutions.co.uk

RF Solutions Ltd. Recycling Notice

Meets the following EC Directives:

DO NOT

Discard with normal waste, please recycle.

ROHS Directive 2011/65/EU and amendment 2015/863/EU:

Specifies certain limits for hazardous substances.

WEEE Directive 2012/19/EU waste electrical & electronic equipment. This product must be disposed of through a licensed WEEE collection point. RF Solutions Ltd., fulfils its WEEE obligations by membership of an approved compliance scheme.

Environment Agency Registration Number: WEE/JB0104WV.



Disclaimer:

Whilst the information in this document is believed to be correct at the time of issue, RF Solutions Ltd does not accept any liability whatsoever for its accuracy, adequacy or completeness. No express or implied warranty or representation is given relating to the information contained in this document. RF Solutions Ltd reserves the right to make changes and improvements to the product(s) described herein without notice. Buyers and other users should determine for themselves the suitability of any such information or products for their own particular requirements or specification(s). RF Solutions Ltd shall not be liable for any loss or damage caused as a result of user's own determination of how to deploy or use RF Solutions Ltd's products. Use of RF Solutions Ltd products or components in life support and/or safety applications is not authorised except with express written approval. No licences are created, implicitly or otherwise, under any of RF Solutions Ltd's intellectual property rights. Liability for loss or damage resulting or caused by reliance on the information contained herein or from the use of the product (including liability resulting from negligence or where RF Solutions Ltd was aware of the possibility of such loss or damage arising) is excluded. This will not operate to limit or restrict QuasarUK Ltd's liability for death or personal injury resulting from its negligence.

www.rfsolutions.co.uk

RF Solutions Ltd

William Alexander House, William Way, Burgess Hill, West Sussex, RH15 9AG

Sales: +44 (0)1444 227900

Tech Support: +44 (0)1444 227909