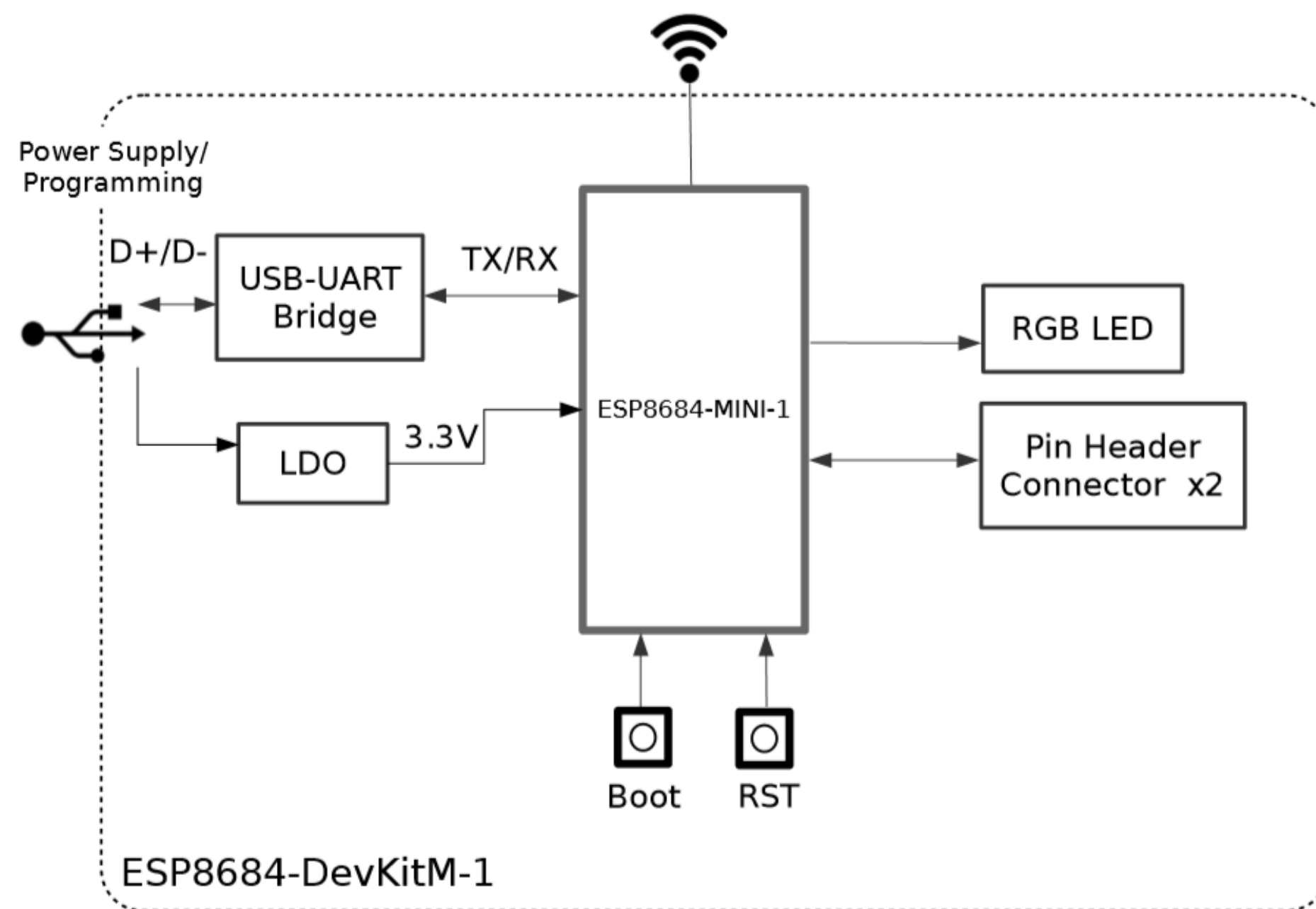
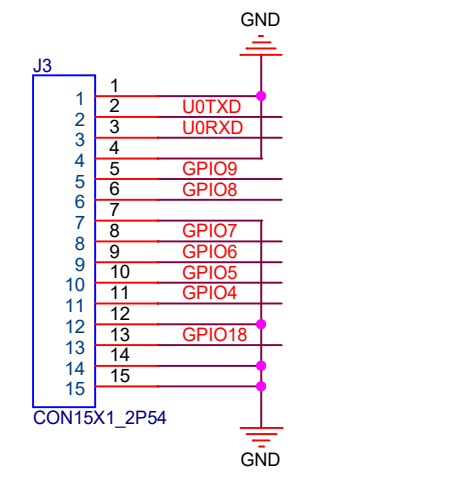
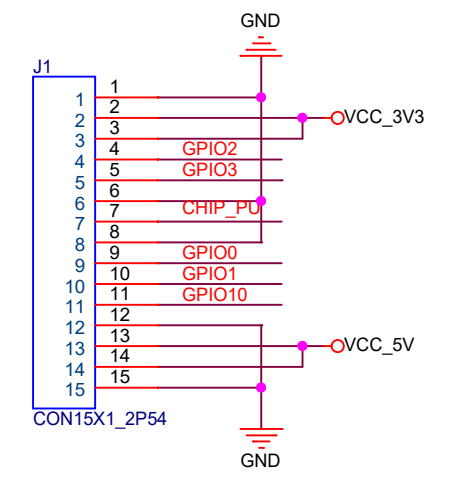
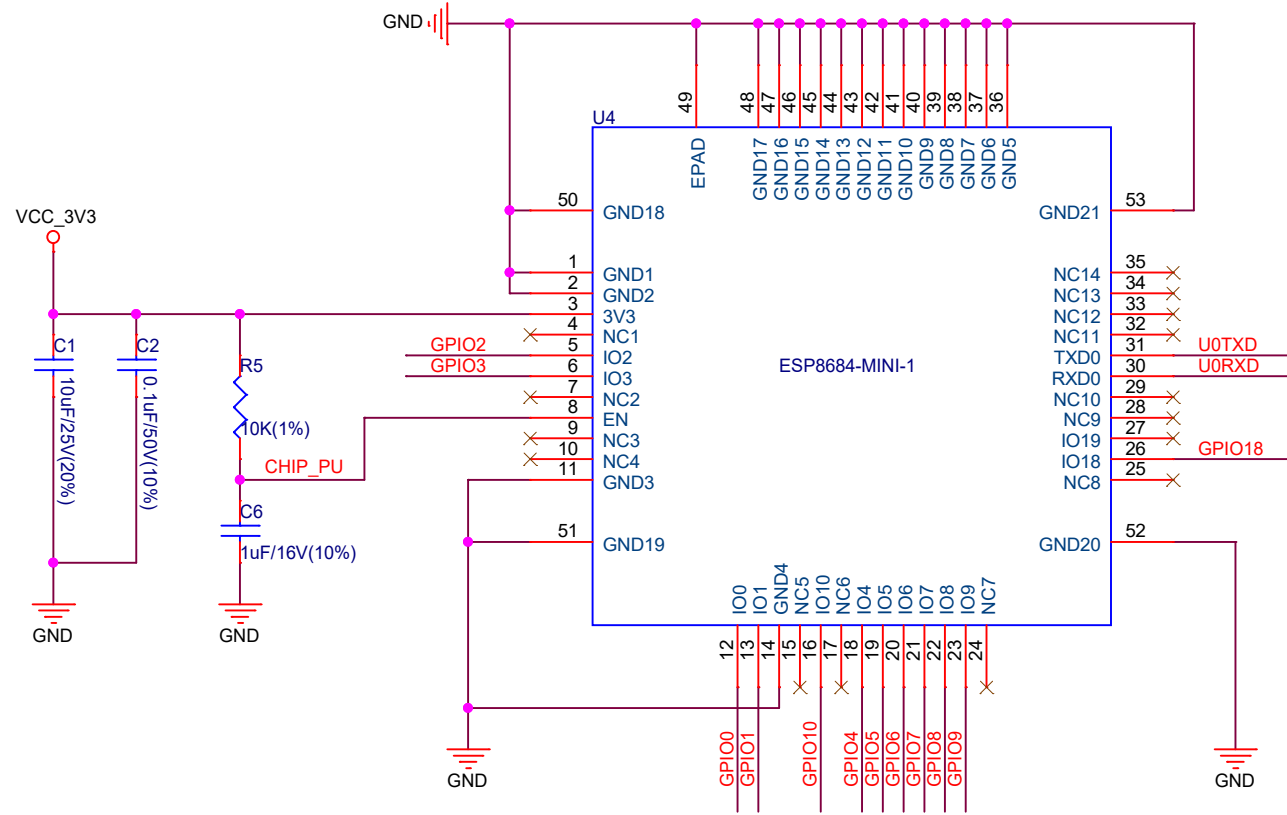
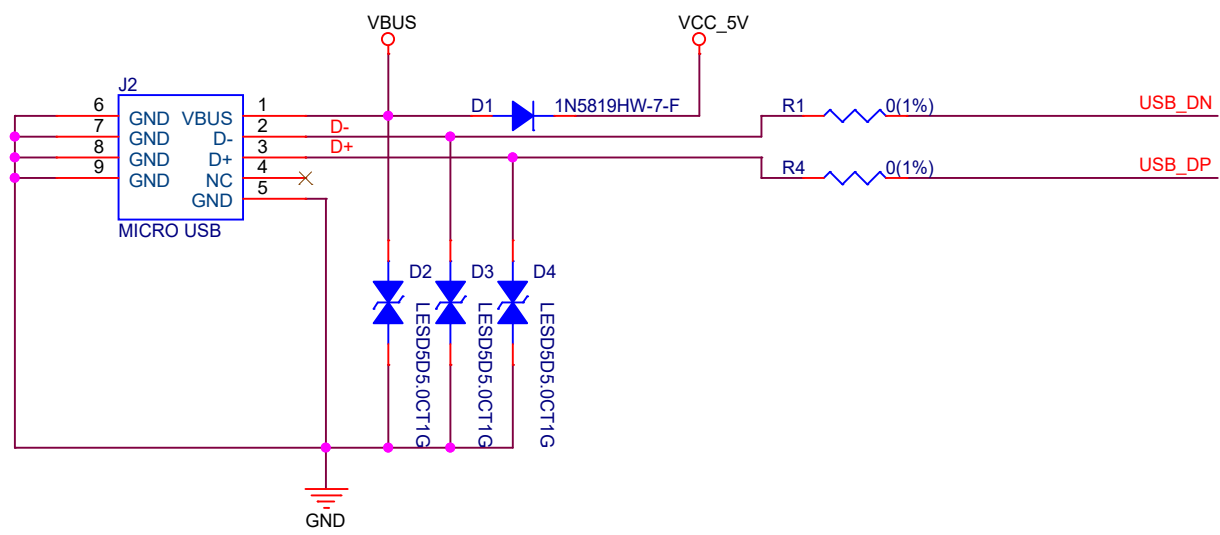


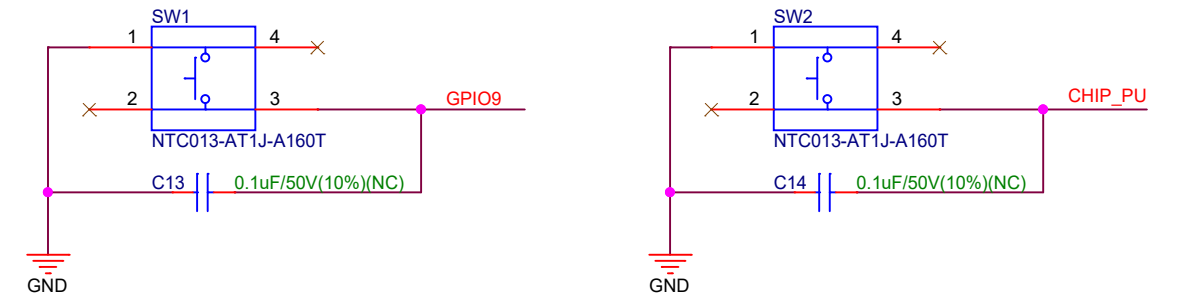
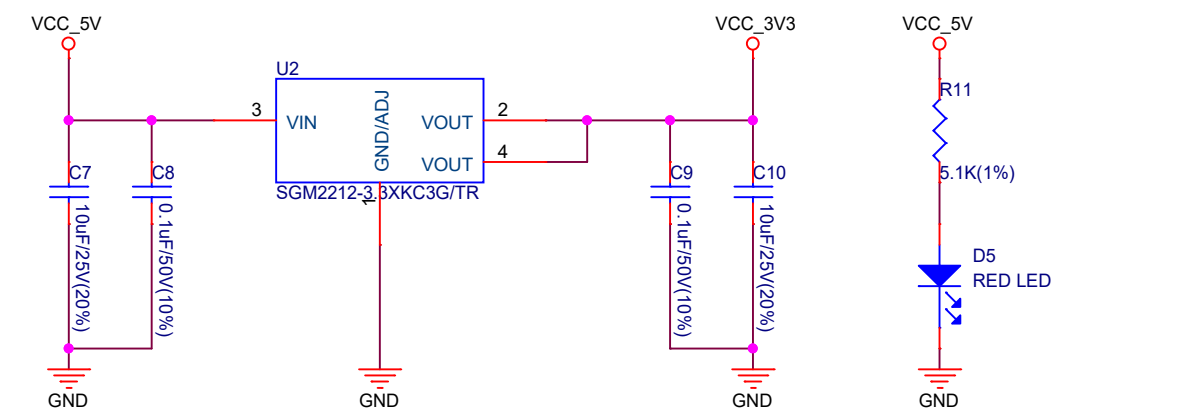
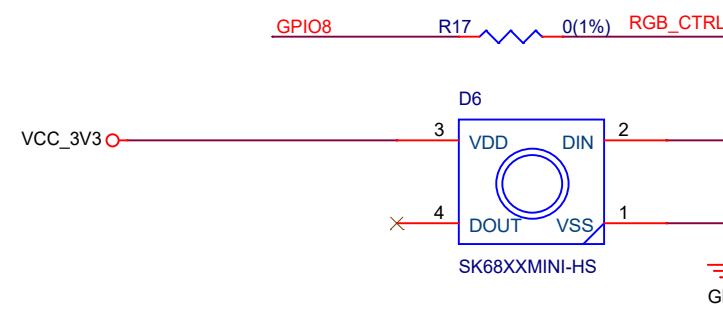
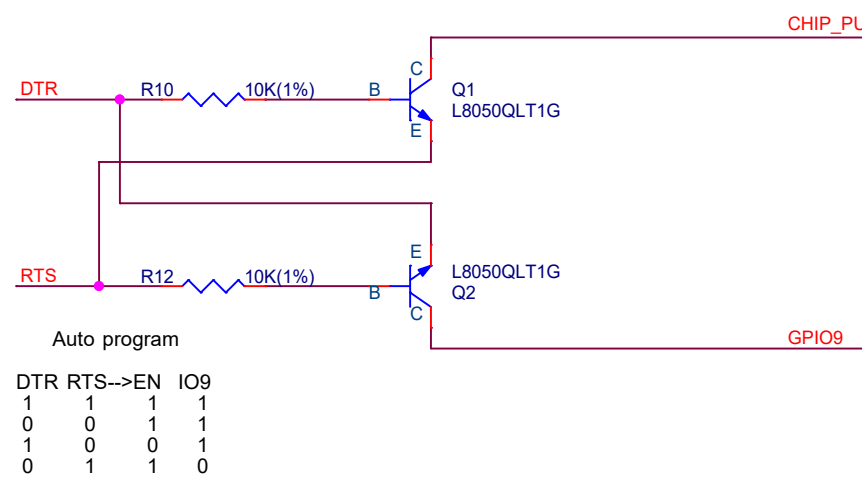
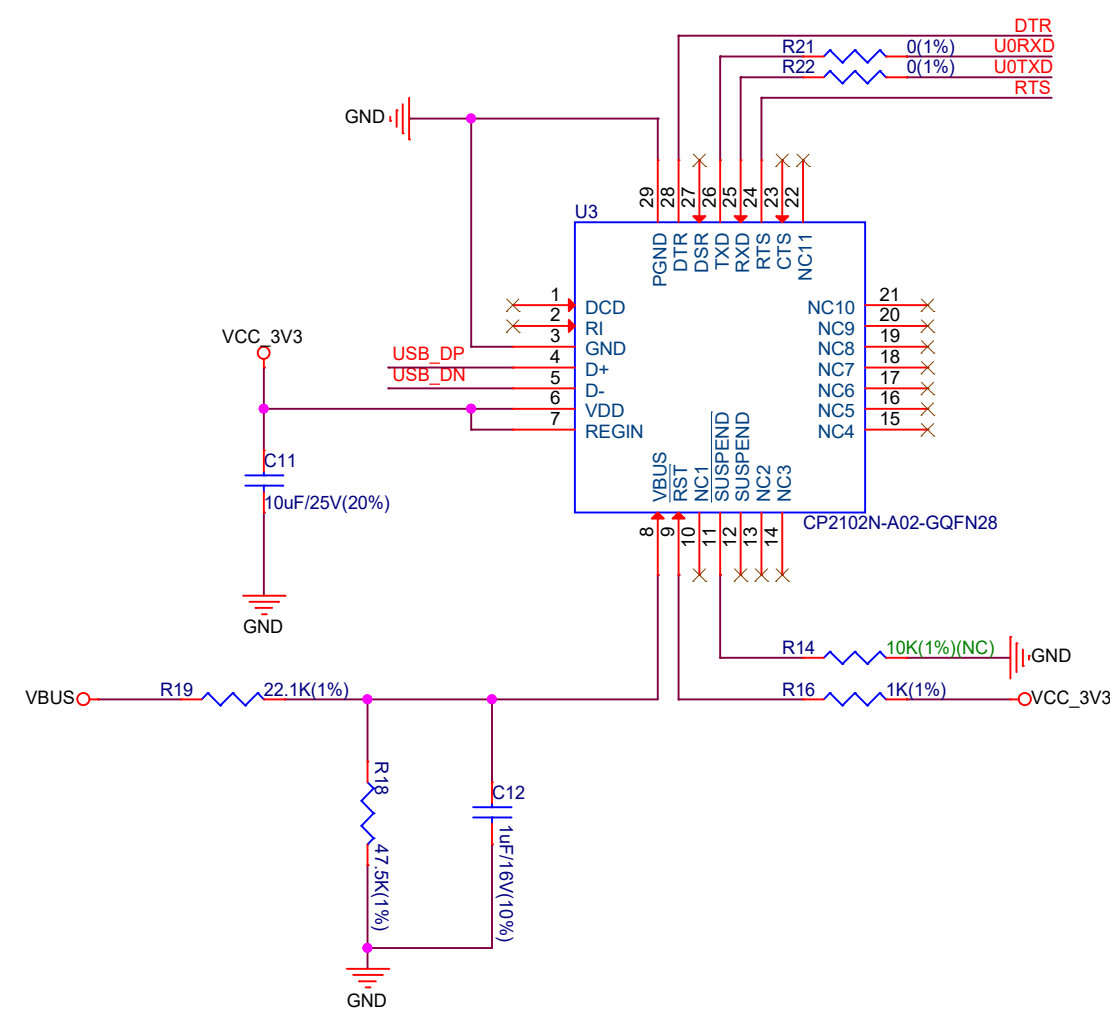
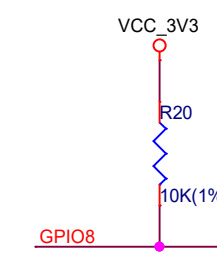
## System Block:





**ESP8684 BootMode:**

boot_sel[1:0]	BootMode
1x	SPI Boot Mode
01	Download Mode
boot_sel[1]	GPIO9
boot_sel[0]	GPIO8



**ESPRESSIF**

乐鑫信息科技(上海)股份有限公司

Title		
ESP8684-DevKitM-1		
Size	Document Number	Rev
C	02_ESP8684-DevKitM-1	V1.0
Date:	Monday, November 01, 2021	Sheet 2 of 2

# Mouser Electronics

Authorized Distributor

Click to View Pricing, Inventory, Delivery & Lifecycle Information:

[Espressif:](#)

[ESP8684-DevKitM-1-H4](#)