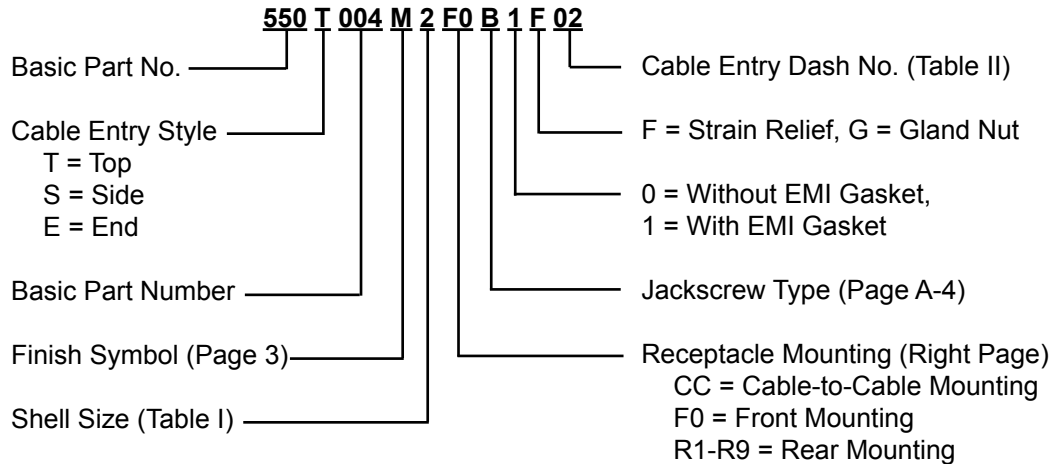




550-004 EMI/RFI D-Subminiature Split Backshells for Individual or Overall Shielding with Strain Relief



1. Metric dimensions (mm) are indicated in parentheses.
2. **DO NOT USE CONNECTORS WITH FLOAT MOUNTINGS.**
3. Overall shield thickness range:
Max to .062 (1.6).

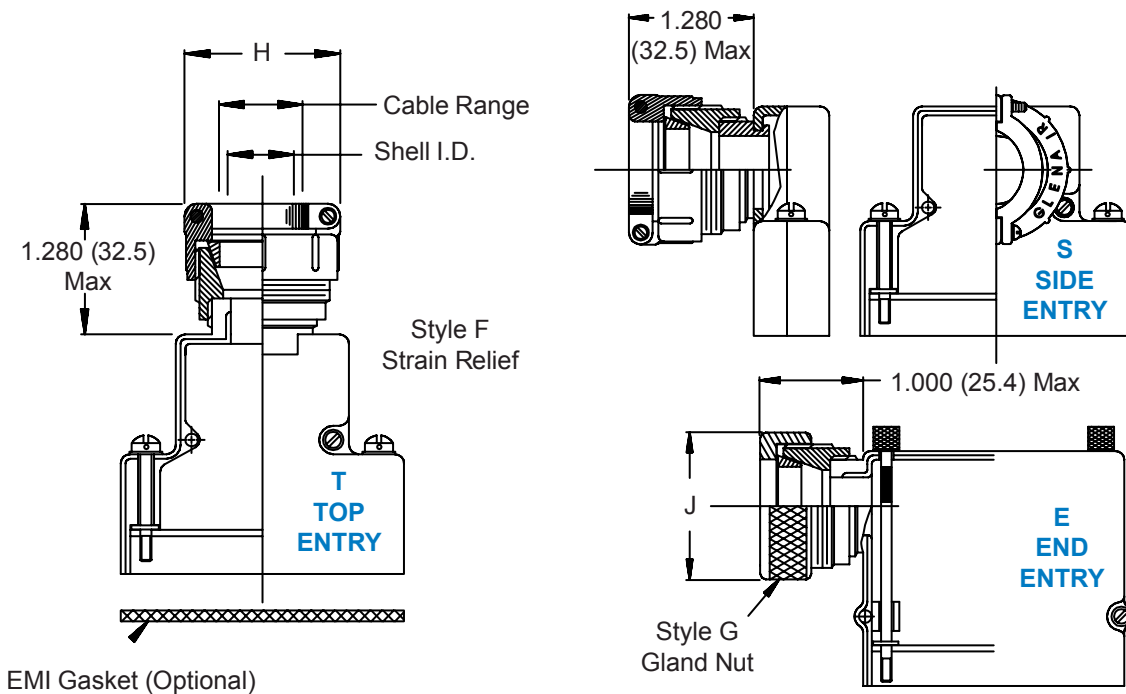


TABLE I: SHELL SIZE & ENTRY STYLE

Shell Size	Com'l Shell Size Ref	Entry Style T (Ref) Shell I.D.	Entry Style E Shell I.D.
1	E/09	.250 (6.4)	.375 (9.5)
2	A/15	.375 (9.5)	.375 (9.5)
3	B/25	.475 (12.1)	.475 (12.1)
4	C/37	.475 (12.1)	.475 (12.1)
5	D/50	.575 (14.6)	.575 (14.6)
6 *	F/104	1.000 (25.4)	n/a

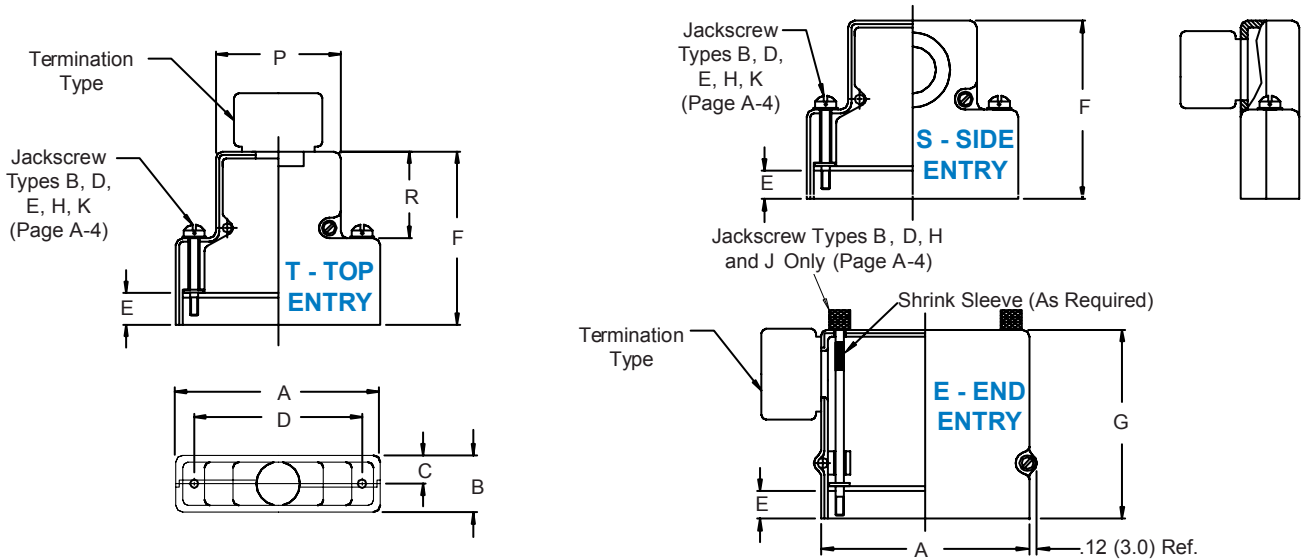
* Shell Size 6 Available in Top Entry Only.

TABLE II: BACKSHELL DIMENSIONS & CABLE ENTRY

Dash No.	H Max	J Max	Cable Range	
			Min	Max
02	.968 (24.6)	.781 (19.8)	.125 (3.2)	.250 (6.4)
03	1.046 (26.6)	.906 (23.0)	.250 (6.4)	.375 (9.5)
04	1.156 (29.4)	1.031 (26.2)	.312 (7.9)	.500 (12.7)
05	1.218 (30.9)	1.156 (29.4)	.437 (11.1)	.625 (15.9)
06	1.343 (34.1)	1.281 (32.5)	.562 (14.3)	.750 (19.1)
07*	1.468 (37.3)	1.406 (35.7)	.687 (17.4)	.875 (22.2)
08*	1.593 (40.5)	1.531 (38.9)	.812 (20.6)	1.000 (25.4)

* Available in Shell Size 6 Only

D-Subminiature Split Backshells Standard Dimensions



COMMON CONNECTOR/SHELL INTERFACE & BACKSHELL DIMENSIONS

Com'l Shell Size	Shell Ref	A Max	B Max	C Ref.	D ±.005 (.1)	P	R Ref
1	E/09	1.393 (35.4)	.624 (15.8)	.312 (7.9)	.984 (25.0)	.730 (18.5)	.719 (18.3)
2	A/15	1.706 (43.3)	.624 (15.8)	.312 (7.9)	1.312 (33.3)	1.050 (26.7)	.719 (18.3)
3	B/25	2.265 (57.5)	.624 (15.8)	.312 (7.9)	1.852 (47.0)	1.594 (40.5)	.938 (23.8)
4	C/37	2.900 (73.7)	.624 (15.8)	.312 (7.9)	2.500 (63.5)	2.240 (56.9)	.938 (23.8)
5	D/50	2.800 (71.1)	.750 (19.1)	.375 (9.5)	2.406 (61.1)	2.140 (54.4)	.938 (23.8)
6	F/104	2.900 (73.7)	.844 (21.4)	.422 (10.7)	2.500 (63.5)	2.240 (56.9)	1.094 (27.8)

CABLE MOUNTING AND BACKSHELL DIMENSIONS

Dash No.	Panel Thickness	E	F ± .031 (0.79)			G ± .031 (0.79)	
			Sizes 1 & 2	Sizes 3 - 5	Size 6	Sizes 1 & 2	Sizes 3 - 5
CC	n/a	.174 (4.4)	1.451 (36.9)	1.671 (42.4)	1.820 (46.2)	1.583 (40.2)	1.831 (46.5)
F0	n/a	.343 (8.7)	1.625 (41.3)	1.844 (46.8)	2.000 (50.8)	1.750 (44.5)	2.000 (50.8)
R1	.031 (.8)	.247 (6.3)	1.525 (38.7)	1.745 (44.3)	1.890 (48.0)	1.656 (42.1)	1.904 (48.4)
R2	.047 (1.2)	.231 (5.9)	1.509 (38.3)	1.728 (43.9)	1.875 (47.6)	1.640 (41.7)	1.888 (48.0)
R3	.062 (1.6)	.216 (5.5)	1.500 (38.1)	1.720 (43.7)	1.860 (47.2)	1.625 (41.3)	1.873 (47.6)
R4	.093 (2.4)	.185 (4.7)	1.470 (37.3)	1.690 (42.9)	1.829 (46.5)	1.594 (40.5)	1.842 (46.8)
R5	.104 (2.6)	.174 (4.4)	1.451 (36.9)	1.671 (42.4)	1.820 (46.2)	1.583 (40.2)	1.831 (46.5)
R6	.125 (3.2)	.153 (3.9)	1.430 (36.3)	1.650 (41.9)	1.798 (45.7)	1.563 (39.7)	1.811 (46.0)
R7	.156 (4.0)	.125 (3.2)	1.400 (35.6)	1.620 (41.1)	1.767 (44.9)	1.531 (38.9)	1.781 (45.2)
R8	.135 (3.4)	.140 (3.6)	1.417 (36.0)	1.637 (41.6)	1.805 (45.8)	1.550 (39.4)	1.798 (45.7)
R9	.188 (4.8)	.094 (2.4)	1.368 (34.7)	1.590 (40.4)	1.740 (44.2)	1.500 (38.1)	1.750 (44.5)

Metric dimensions (mm) are indicated in parentheses.

Mouser Electronics

Authorized Distributor

Click to View Pricing, Inventory, Delivery & Lifecycle Information:

Glenair:

[550T004A1F0B0F06](#) [550T004M3R4K0F05](#) [550T004M4R3H1G03](#) [550T004M5R4H0F06](#) [550T004M3R4H0F02](#)
[550T004NF5R4K0F03](#) [550S004NF1R8E0F02](#) [550T004M1R3K0F03](#) [550T004NF2CCP0F03](#) [550T004NF1R8E0F02](#)
[550T004M1R4E1F05](#) [550E004M5R3J0F05](#) [550S004M4R7M0F04](#) [550T004M2R4H0F03](#) [550T004A3F0B0F06](#)
[550T004M4R2E1F05](#) [550T004M3R3E1F05](#) [550T004B3R4K1F04](#) [550T004M5R6H0F04](#) [550T004M4R7K0F04](#)
[550E004NF5F0J1G06](#) [550T004NF5F0B1F04](#) [550E004M5F0J0F06](#) [550T004M3F0B1F04](#) [550T004M3R3E1F04](#)
[550T004M3R6K0F06](#) [550T004NF2R4K1F04](#) [550T004NF2R5B0F04](#) [550T004M2F0D1F06](#) [550T004M3R4E1F02](#)
[550T004NF1R4K1F03](#) [550T004NF3R4K1F02](#) [550T004M1F0E1F03](#) [550T004M3R3B0F03](#) [550T004NF1R7B0F04](#)
[550T004NF2R5K1F03](#) [550E004M2F0M0F04](#) [550E004M3F0J0F03](#) [550T004M3R3E1F02](#) [550T004M3R3E1F03](#)
[550T004M5R6E0F06](#) [550T004M2R3H1F04](#) [550T004M3R4K0F06](#) [550T004NF4CCF1F03](#) [550T004A1R4D1F04](#)
[550T004M1R4E1F03](#) [550T004M4R7B0F05](#) [550T004NF1R4K1F02](#) [550T004M3R3K1F04](#) [550T004NF5R3D0F02](#)
[550T004M2R2K0F03](#) [550T004M3R3E0F04](#) [550T004M4R3E1F02](#) [550T004NF3R7K1F04](#) [550T004A1F0E0F02](#)
[550T004M1R3E1F03](#) [550T004NF2F0B1F03](#) [550E004M3R3J0F03](#) [550T004A1R3K1F02](#) [550T004M3R6K1F04](#)
[550T004A3CCF0F06](#) [550T004M2R2B1F04](#) [550T004M1R3E1F02](#) [550T004M5R3B1F06](#) [550T004NF1R7K1F04](#)
[550T004NF3R8K0F04](#) [550S004M1R6E0F03](#) [550E004M5R4J0F06](#) [550S004M5F0K0F06](#) [550S004M5R3E0F04](#)
[550E004A3F0J1F03](#) [550T004NF3R3K1F05](#) [550T004NF1R8K0F03](#) [550T004NF1R6K1F05](#) [550T004NF3R6K1F05](#)
[550S004NF1R1B1F04](#) [550E004NF1R2B1F04](#) [550E004NF5F0B1F06](#) [550T004B1R4K1F03](#) [550T004M1F0K0F03](#)
[550T004M1R6K0F03](#) [550T004NF1R3K1F04](#) [550E004NF3R3J1F03](#) [550T004M3R4K0F04](#) [550T004NF2R1B1F04](#)
[550T004B3R4K0F06](#) [550S004M3F0M0F04](#) [550T004M3R4K1F05](#) [550T004NF3R3K1F04](#) [550T004A1F0B0F05](#)
[550T004NF3R3K1F06](#) [550T004M4R6E1F05](#) [550T004NF1CCP1F03](#) [550T004M1F0K0F04](#) [550E004NF5R3J0G06](#)
[550T004NF3R8K0F03](#) [550T004NF4R8K0F03](#) [550T004M3R4K1F06](#) [550T004NF1R3K1F02](#) [550T004M3F0K0F05](#)