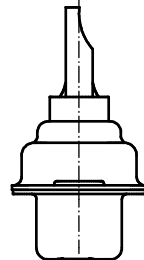
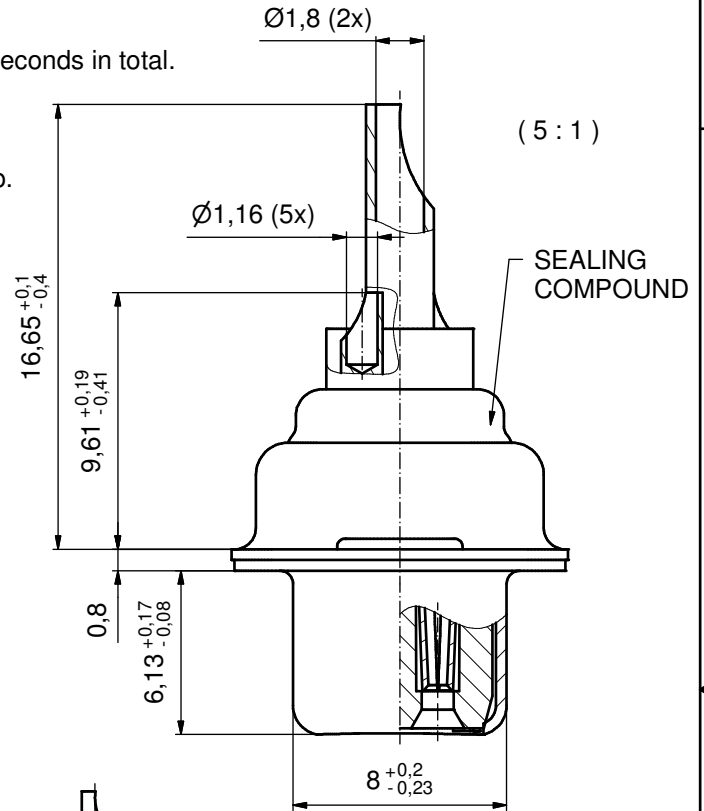
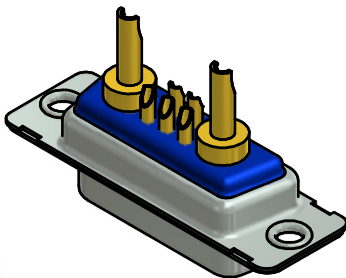
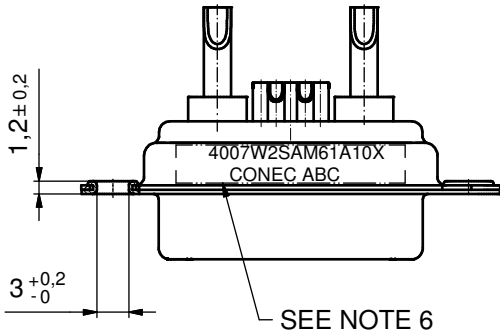
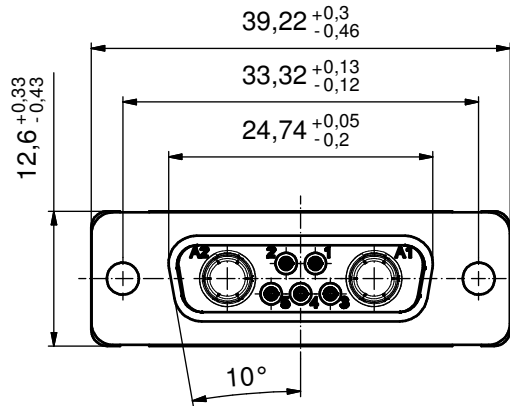


Solder Instruction

1. Cable should be prepared for soldering. The cable/wires must be pretinned.
2. Insert cable/wire into solder cup.
3. Signal Contact
 - 3.1. Operate the soldering iron at 350°C, 50 Watt max. and use a pencil tip.
 - 3.2. Put tip to wire in solder cup.
 - 3.3. After 1 second bring in solder.
 - 3.4. Heat for 3 seconds longer. Do not heat contact more than 4 seconds in total.
4. Power Contact
 - 4.1. Operate the soldering iron at 350°C, 100 Watt max. and use a pencil tip.
 - 4.2. Put tip to wire in solder cup.
 - 4.3. After 1 second bring in solder.
 - 4.4. Heat for 5 seconds longer. Do not heat contact more than 6 seconds in total.
5. Remove soldering iron.
6. Wait until solder gets rigid again.
7. Do not solder adjacent contacts consecutively, alternate position within the connector to minimize heat build up.



NOTES:

1. METALSHELLS: COPPER ALLOY; min. 315µm TIN over 40-80µm NICKEL
2. INSULATORS: PBT GF UL 94 V-0, GREEN
3. SIGNAL CONTACTS: COPPER ALLOY
PLATING: GOLD FLASH over NICKEL
SOLDER CUP ACCEPTS CABLE AWG 20
4. HIGH POWER CONTACTS 10A: COPPER ALLOY
PLATING MATING AREA: GOLD FLASH over NICKEL
PLATING TERMINATION SIDE: GOLD FLASH over NICKEL
SOLDER CUP ACCEPTS CABLE AWG 16-20
5. SEALING COMPOUND: PUR; BLUE
6. CONNECTOR IS PART MARKED: 4007W2SAM61A10X CONEC ABC

Directive 2002/95/EC
"RoHS"
Compliant

APPROVAL # FREIGABE # DEBLOCAGE # AUTORIZACION # APPROVAL	
CUSTOMER APPROVAL DATE:	
NAME:	TITLE:
COMPANY NAME:	
APPROVAL # FREIGABE # DEBLOCAGE # AUTORIZACION # APPROVAL	

THIS DRAWING MAY NOT BE COPIED OR REPRODUCED IN ANY WAY, AND MAY NOT BE PASSED ON TO A THIRD PARTY WITHOUT WRITTEN PERMISSION. OWNERSHIP AND COPYRIGHT OF CONEC GmbH			
DO NOT ALTER CAD DRAWING BY HAND			
rev.	description	date	name
a	Origin		

tolerance	dim. in mm	scale:	2:1 (5:1)
		material:	SEE NOTES
date	name	title:	
drawn 19.11.10	Henneboel	D-SUB COMBINATION FEMALE	
appd. 19.11.10	Fischer	7W2S	
norm		for installation into water resistant hood	
d-old		dwg no:	Inventor 10
			DIN-A3
			sh: 1
part no:		4007W2SAM61A10X	



Mouser Electronics

Authorized Distributor

Click to View Pricing, Inventory, Delivery & Lifecycle Information:

[Amphenol:](#)

[4007W2SAM61A10X](#)