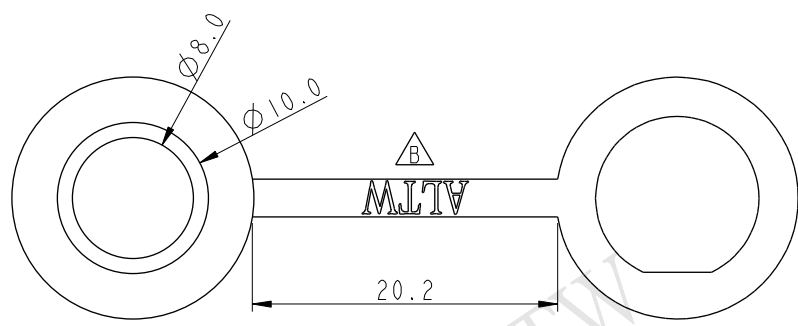
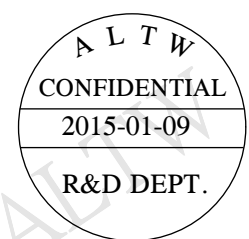
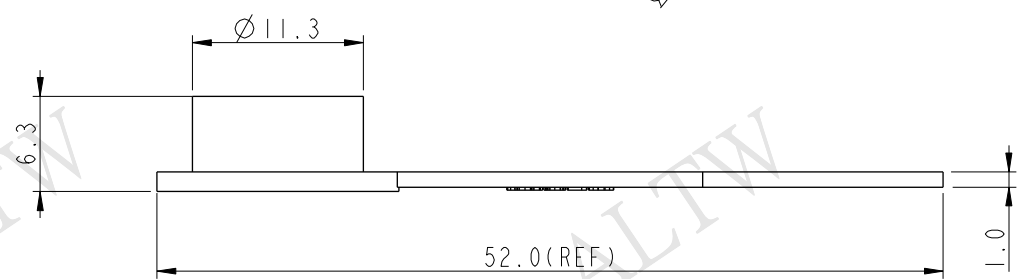
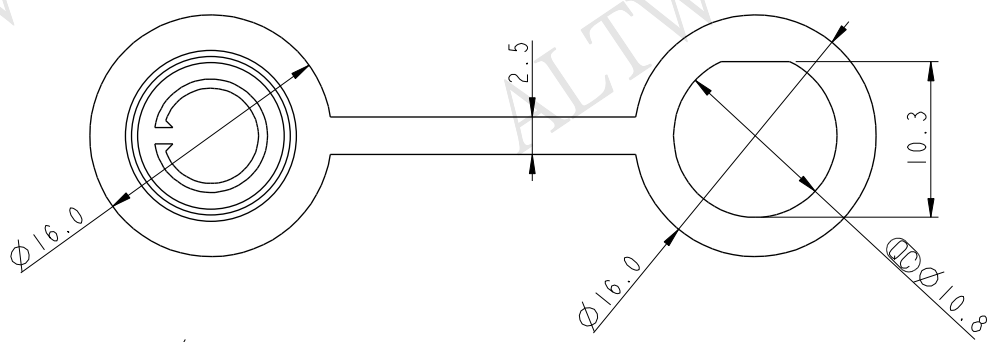


THIS DOCUMENT IS SUBJECT TO CHANGE WITHOUT NOTICE. IT IS CONFIDENTIAL AND A PROPERTY OF AMPHENOL LTW. DISCLOSURE TO THIRD PARTY HAS TO BE AUTHORIZED BY AMPHENOL LTW.

| REV. | ECN NO. | DATE | SIGN | DESCRIPTION |
|------|-----------------|------------|-------|---------------------------|
| A | Initial Release | 2013/08/19 | Vicky | Old Item No. CAP-DAAPMXCI |
| B | LEN1510230 | 2015/01/09 | Ruru | Change Logo |



Note:
 * CC Important Dimension.
 * Material: Plastic Rubber, Black
 * Mold No.: LTW-TMI21-A

| | | |
|-----------|------------|--|
| UNIT: mm | | |
| TOLERANCE | .X ±0.25 | |
| | .XX ±0.1 | |
| | .XXX ±0.05 | |
| ANGLES | ±1° | |

| | | | |
|-------------------------------|----------------|-------------------------------|--|
| TITLE 7/16"-28 UNS M Conn. | | | |
| SCALE 2:1 | SIZE A4 | SHEET 1 OF 1 | |
| REV. B | WC-REV. A.1 | CC : Inspection item | |

Amphenol LTW
 安費諾亮泰企業股份有限公司

| | | |
|--------------------------|--------------------|--------------------|
| ITEM NO. CAP-DAAMDPCI | DRAWN BY Ruru | DATE 2015-01-09 |
| DWG NO. CAP-DAAMDPCI | CHECKED BY Rita | DATE 2015-01-09 |
| CUSTOMER ALTW | APPROVED BY Win | DATE 2015-01-09 |