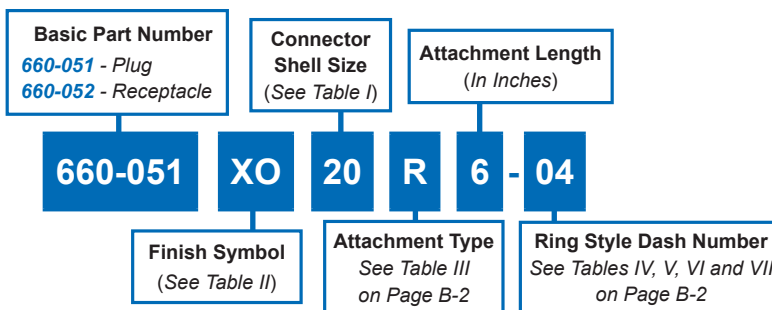


660-051 • 660-052
Composite MIL-DTL-83723 Series III
Protective Covers



B

660-051
MIL-DTL-83723 SERIES III
THREADED PLUG COVER

660-052
MIL-DTL-83723 SERIES III
THREADED RECEPTACLE COVER

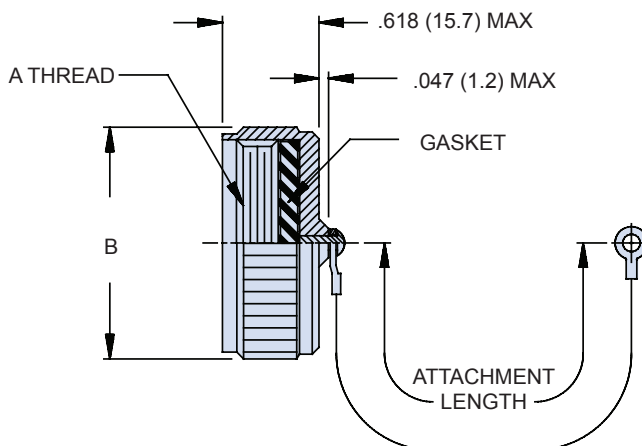
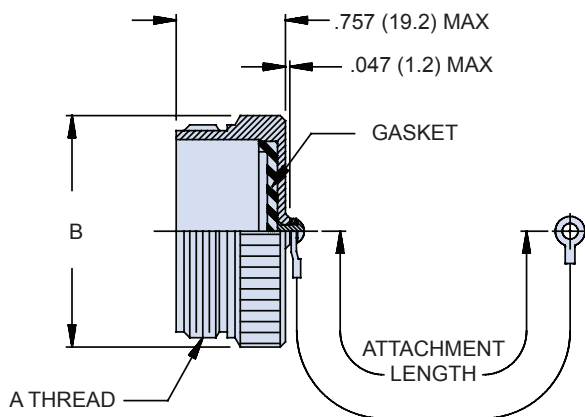


TABLE I: CONNECTOR SHELL SIZE NO.

SHELL SIZE	A THREAD CLASS 2A/2B	B DIA MAX
08	9/16 - 24 UNEF	.776 (19.7)
10	11/16 - 24 UNEF	.906 (23.0)
12	7/8 - 20 UNEF	1.078 (27.4)
14	15/16 - 20 UNEF	1.141 (29.0)
16	1 1/16 - 18 UNEF	1.266 (32.2)
18	1 3/16 - 18 UNEF	1.375 (34.9)
20	1 5/16 - 18 UNEF	1.510 (38.4)
22	1 7/16 - 18 UNEF	1.625 (41.3)
24	1 9/16 - 18 UNEF	1.760 (44.7)

TABLE II

Symbol	Finish Description
XB	No Plating - Black Color (Non-Conductive Finish)
XM	2000 Hour Corrosion Resistant Electroless Nickel
XMT	2000 Hour Corrosion Resistant Ni-PTFE, Nickel-Fluorocarbon Polymer. 1000 Hour Grey™
XO	No Plating - Brown Color (Non-Conductive Finish)
XW	2000 Hour Corrosion Resistant Cadmium/Olive Drab over Electroless Nickel

Metric dimensions (mm) are in parentheses and are for reference only.

Mouser Electronics

Authorized Distributor

Click to View Pricing, Inventory, Delivery & Lifecycle Information:

[Glenair:](#)

[660-051XM10N](#) [660-051XM14N](#) [660-051XM16N](#) [660-051XM18N](#) [660-052XB22H3-01](#) [660-052XM16N](#) [660-052XM18N](#) [660-052XM22N](#) [660-051XM22N](#)