

**DESIGNED & DIMENSIONED
IN MILLIMETERS [INCHES]**

TEMX-1XX-XX-XX.X-XX-D-XX-XX

BODY OPTION

(LEAVE BLANK IF OPTION NOT USED)
S: SLIM
(NOT AVAILABLE WITH -A, -LC, -WT OR -L1)
(USE TEMS-XX-XX.X, SEE FIG 6, SHEET 2)
(ONLY AVAILABLE WITH -K-TR)

No OF POSITIONS
-05 THRU -50 (PER ROW)
(5 POS INCREMENTS)

LEAD STYLE

-02: SURFACE MOUNT

STACK HEIGHT

-03.0: (6 mm STACK HEIGHT) (T-1M58-03.0-XX)
-04.0: (7 mm STACK HEIGHT) (T-1M58-04.0-XX)
-07.0: (10 mm STACK HEIGHT) (T-1M58-07.0-XX)

PLATING SPECIFICATION

-H: 30µ" HEAVY GOLD IN CONTACT AREA
3µ" ON TAIL
-G: 10µ" GOLD IN CONTACT AREA
3µ" ON TAIL
-FG: 3µ" FLASH GOLD ON ENTIRE
TERMINAL

OPTION

-TR: TAPE & REEL
(SEE NOTES 7 & 8)
-K: POLYIMIDE FILM
(USE K-DOT-217-.313-.005,
SEE FIG 5, SHT 2)

OPTION

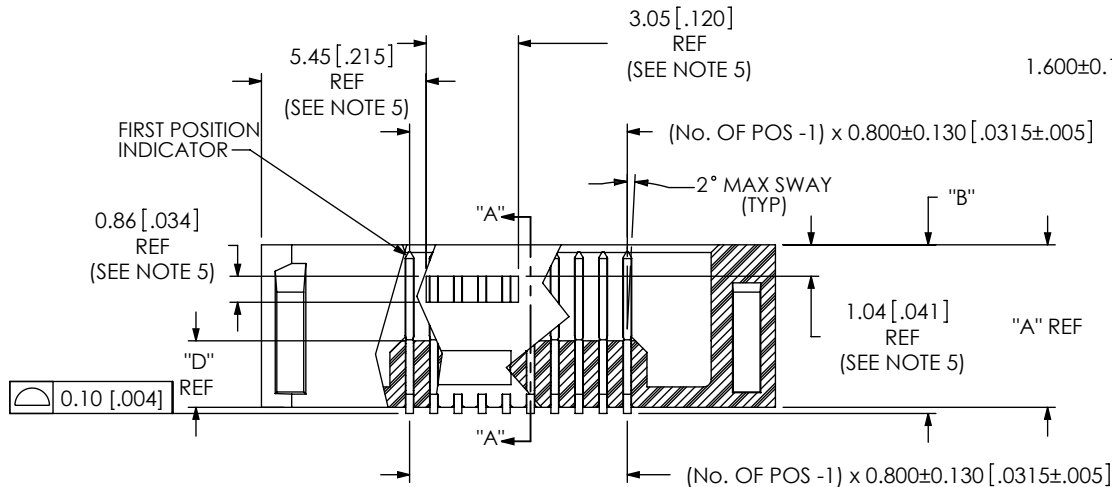
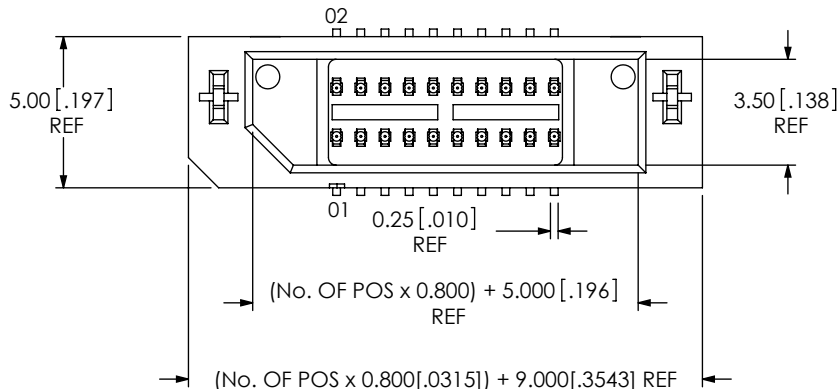
-A: ALIGNMENT PIN (SEE FIG 2, SHEET 2)
(NOT AVAILABLE WITH -LC, -WT, -L1)
-LC: LOCKING CLIP (SEE FIG 3, SHEET 2)
(NOT AVAILABLE WITH -A, -WT, -L1)
-WT: WELD TAB (SEE FIG 4, SHEET 2)
(NOT AVAILABLE WITH -A, -LC, -L1)
-L1: LATCHING (SEE FIG 7, SHEET 3)
(ONLY AVAILABLE ON -03.0 STACK
HEIGHT AND 5 - 20 POS)
(NOT AVAILABLE WITH -A, -LC, -WT)

ROW SPECIFICATION

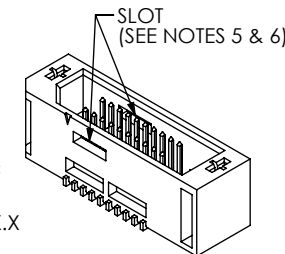
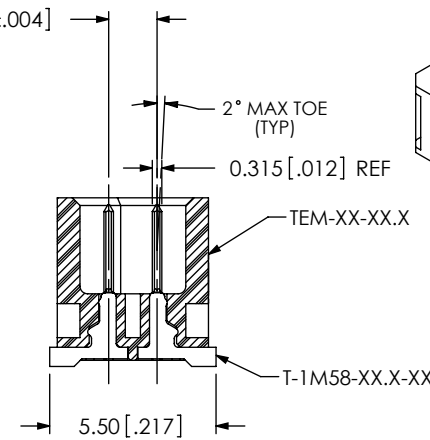
-D: DOUBLE ROW

FIG 1

TEM-110-02-03.0-XX-D SHOWN



1.600 ± 0.100 [.063 ± .004]



SECTION "A"-"A"

TABLE 1

STACK HEIGHT	"A"	"B"	"C"	"D"
-03.0	5.375 [.2116]	5.610 [.2209]	5.742 [.2261]	2.200 [.0866]
-04.0	6.375 [.2510]	6.610 [.2602]	6.742 [.2654]	3.200 [.1260]
-07.0	9.375 [.3690]	9.610 [.3783]	9.742 [.2835]	6.200 [.2441]

NOTES:

- ⊗ REPRESENTS A CRITICAL DIMENSION.
- MINIMUM PUSHOUT FORCE FOR TERMINAL, LOCKING CLIP AND WELD TAB: 2.22N [0.50LBF].
- POST HEIGHT VARIATION BETWEEN ANY TWO PINS: 0.13 [.005] MAXIMUM.
- TEM PARTS TO BE PACKAGED IN TRAYS UNLESS OTHERWISE SPECIFIED.
- POSITIONS -05 THRU -20 WILL HAVE ONLY ONE SLOT PER SIDE.
POSITIONS -25 THRU -40 WILL HAVE TWO SLOTS PER SIDE.
POSITIONS -45 THRU -50 WILL HAVE THREE SLOTS PER SIDE.
- SLOTS ONLY AVAILABLE IN -03.0 LEAD STYLE.
- TEMS-TR ONLY FOR QUANTITIES UP TO 49 PIECES, NO LEADER, TRAILER, OR REEL WILL BE SUPPLIED.
FOR QUANTITIES 50-124, NO LEADER, OR TRAILER WILL BE SUPPLIED.
- ALL SAMPLES AND/OR NO CHARGE ORDERS ARE REQUIRED TO BE PACKAGED IN SUSPENSION PACKS AND NOT T&R.

F:\DWG\MISC\MKTG\TEMX-1XX-XX-XX.X-XX-D-XX-XX-MKT.SLDDRW

UNLESS OTHERWISE SPECIFIED,
DIMENSIONS ARE IN MILLIMETERS.
TOLERANCES ARE:

DECIMALS ANGLES
X.X: ±0.3 [.01] 2°
X.XX: ±0.13 [.005]
X.XXX: ±0.051 [.0020]

PROPRIETARY NOTE

THIS DOCUMENT CONTAINS INFORMATION
CONFIDENTIAL AND PROPRIETARY TO
SAMTEC, INC. AND SHALL NOT BE REPRODUCED
OR TRANSFERRED TO OTHER DOCUMENTS OR
DISCLOSED TO OTHERS OR USED FOR ANY
PURPOSE OTHER THAN THAT WHICH IT WAS
OBTAINED WITHOUT THE EXPRESSED WRITTEN
CONSENT OF SAMTEC, INC.

MATERIAL: DO NOT SCALE DRAWING

INSULATOR: ZENITE ZE55201, COLOR: BLACK
TERMINAL AND LOCKING CLIP: PHOS BRONZE 510
WELD TAB: BRASS ALLOY 260, FULL HARD

SHEET SCALE: 4:1



520 PARK EAST BLVD, NEW ALBANY, IN 47150
PHONE: 812-944-6733 FAX: 812-948-5047
e-Mail: info@SAMTEC.com code 55322

DESCRIPTION:
0.8 mm TIGER EYE MICRO TERMINAL

DWG. NO.
TEMX-1XX-XX-XX.X-XX-D-XX-XX

BY: B RAY 10-18-2007 SHEET 1 OF 3

FIG 2
TEM-110-02-03.0-XX-D-A SHOWN
(SAME AS FIG 1, DIFFERENT AS SHOWN)

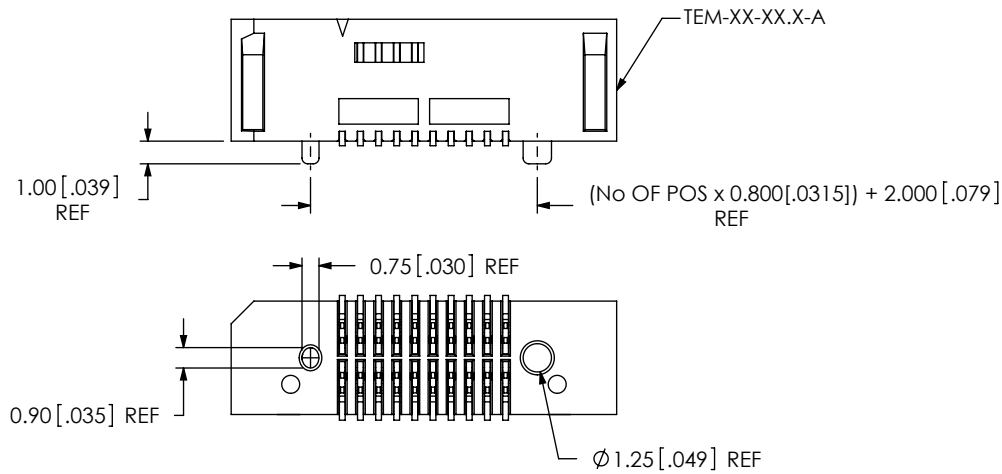


FIG 3
TEM-110-02-03.0-XX-D-LC SHOWN
(SAME AS FIG 1, DIFFERENT AS SHOWN)

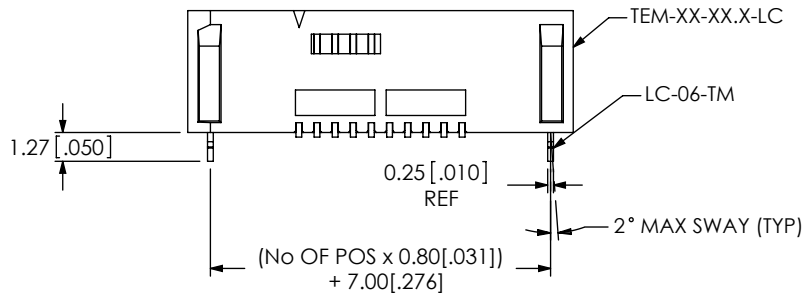


FIG 4
TEM-110-02-03.0-XX-D-WT SHOWN
(SAME AS FIG 1, DIFFERENT AS SHOWN)

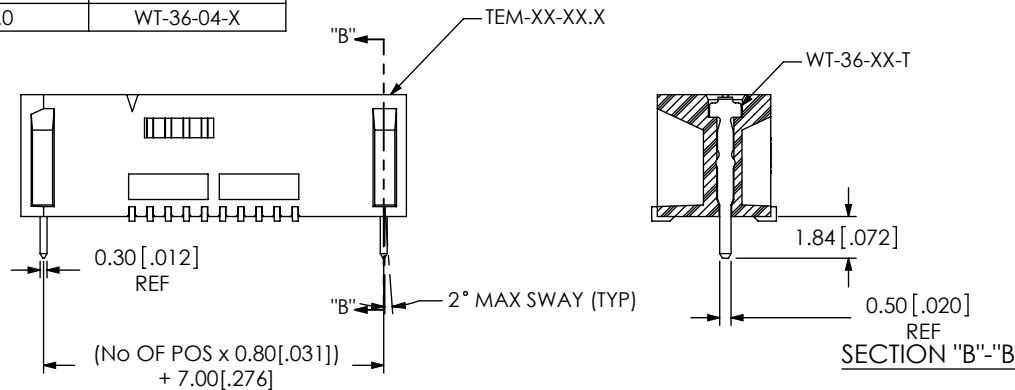
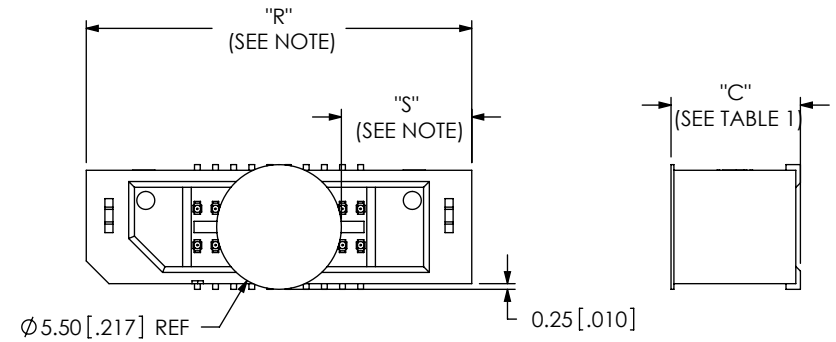
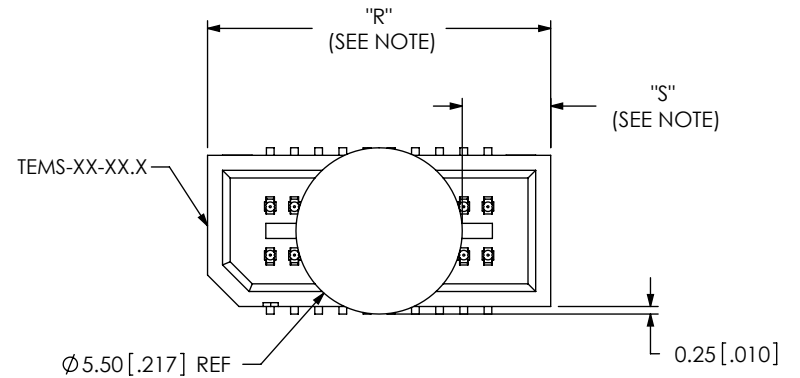


FIG 5
TEM-110-02-03.0-XX-D-K SHOWN
(SAME AS FIG 1, DIFFERENT AS SHOWN)



NOTE: "R" = OVERALL LENGTH (REF)
"S" = {"R" - 5.50 [.216]} / 2 [.0787] ± 0.51 [.020]

FIG 6
TEMS-110-02-XX.X-XX-D-K SHOWN
(SAME AS FIG 1, DIFFERENT AS SHOWN)



NOTE: "R" = {(No. OF POS x 0.800) + 3.35} ± 0.05
"S" = {"R" - 5.50 [.216]} / 2 [.0787] ± 0.51 [.020]

TABLE 2

STACK HEIGHT	WELD TAB
-03.0	WT-36-02-X
-04.0	WT-36-03-X
-07.0	WT-36-04-X

PROPRIETARY NOTE

THIS DOCUMENT CONTAINS INFORMATION CONFIDENTIAL AND PROPRIETARY TO SAMTEC, INC. AND SHALL NOT BE REPRODUCED OR TRANSFERRED TO OTHER DOCUMENTS OR DISCLOSED TO OTHERS OR USED FOR ANY PURPOSE OTHER THAN THAT WHICH IT WAS OBTAINED WITHOUT THE EXPRESSED WRITTEN CONSENT OF SAMTEC, INC.

DO NOT SCALE DRAWING

SHEET SCALE: 3:1

520 PARK EAST BLVD, NEW ALBANY, IN 47150
PHONE: 812-944-6733 FAX: 812-948-5047
e-Mail info@SAMTEC.com code 55322

DESCRIPTION: .8MM TIGER EYE MICRO TERMINAL

DWG. NO. TEMX-1XX-XX-XX.X-XX-D-XX-XX

BY: B RAY 10-18-2007 SHEET 2 OF 3

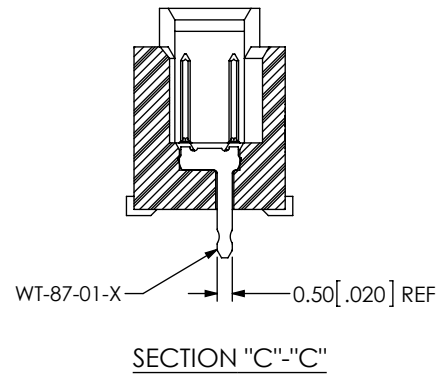
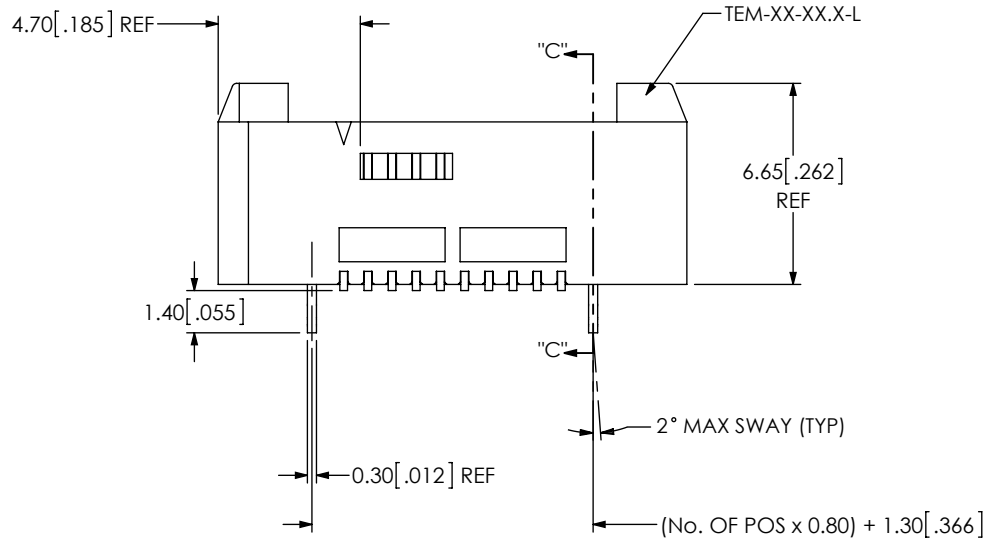
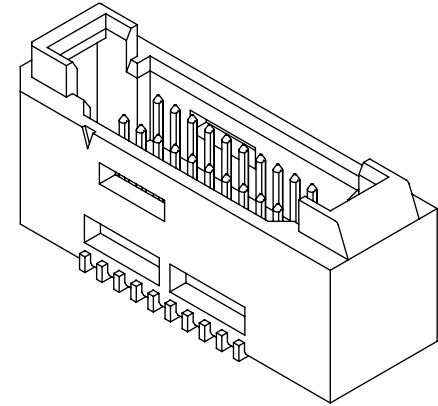
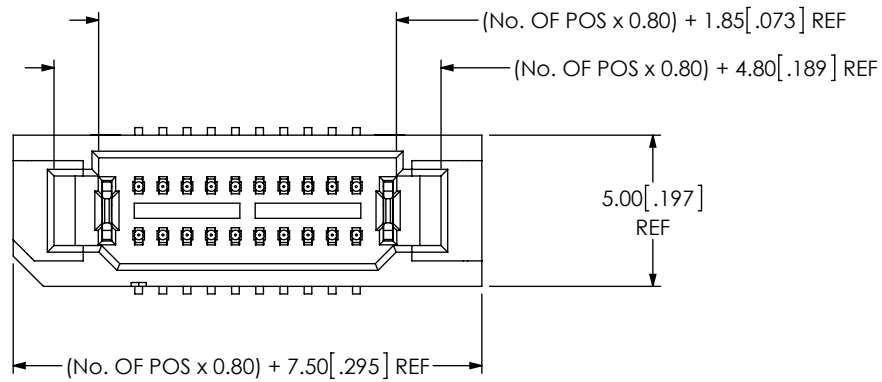


FIG 7
 TEM-110-02-030-XX-D-L1 SHOWN
 (SAME AS FIG 1, DIFFERENT AS SHOWN)

PROPRIETARY NOTE THIS DOCUMENT CONTAINS INFORMATION CONFIDENTIAL AND PROPRIETARY TO SAMTEC, INC. AND SHALL NOT BE REPRODUCED OR TRANSFERRED TO OTHER DOCUMENTS OR DISCLOSED TO OTHERS OR USED FOR ANY PURPOSE OTHER THAN THAT WHICH IT WAS OBTAINED WITHOUT THE EXPRESSED WRITTEN CONSENT OF SAMTEC, INC. DO NOT SCALE DRAWING SHEET SCALE: 4:1	520 PARK EAST BLVD, NEW ALBANY, IN 47150 PHONE: 812-944-6733 FAX: 812-948-5047 e-Mail info@SAMTEC.com code 55322	
	DESCRIPTION: .8MM TIGER EYE MICRO TERMINAL	
	DWG. NO. TEMX-1XX-XX-XX.X-XX-D-XX-XX	
	BY: B RAY	10-18-2007