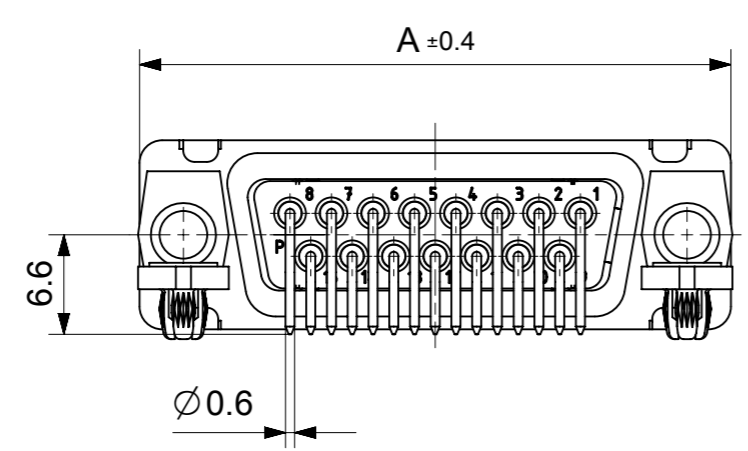
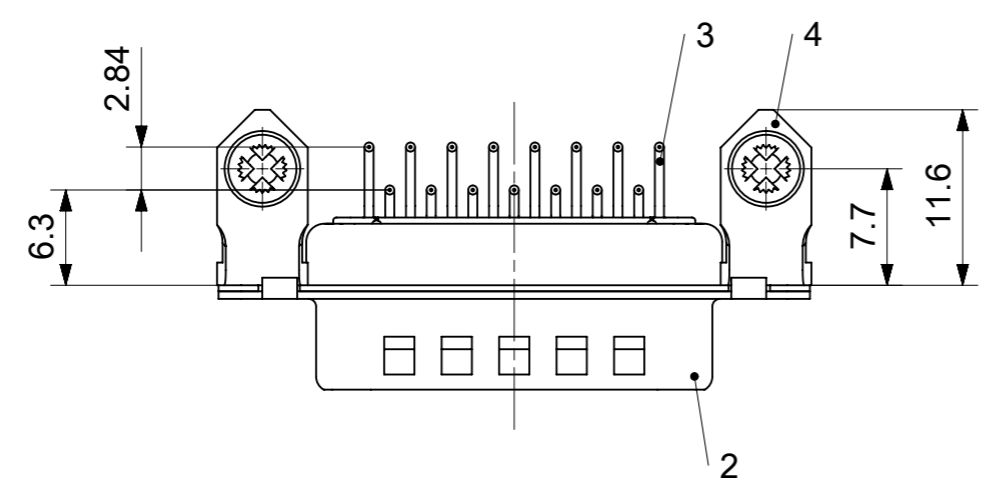
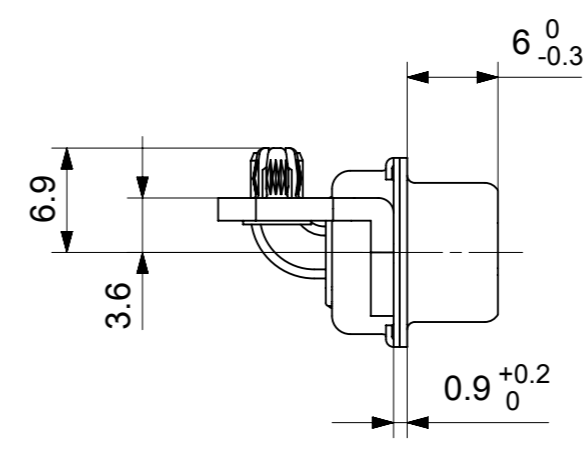
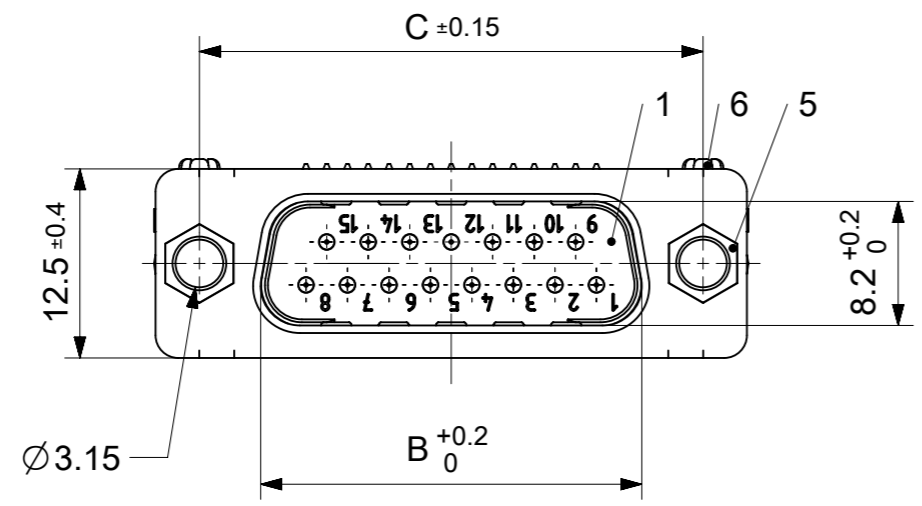


RoHS compliant  
by exemption



FCT Part number:

Fxx\*1)P65G1-0921

e.g. F15P65G1-0921

\*1) xx No. of contacts 09, 15, 25 or 37

\*2) y for performance classes 1, 2 or 3

(contact cycle for G1/G2/G3 = 500/200/50)

Material Number	xx*1)	y*2)	A [mm]	B [mm]	C [mm]	*E [mm]	*F [mm]	*G [mm]	*H [mm]	*J [mm]	*K [mm]
1731090780	09	G1	30.8	16.9	25	Ø1	Ø3	6.7	5.3	2.84	4
-	15	-	39.1	25.2	33.3						
-	25	-	53	38.9	47.04						
-	37	-	69.3	55.3	63.5						

\*PCB hole patterns ØE, ØF, G, H, J, K see document 2195600077

No.	Pc.	Part	Type Description/Material	Surface plating/Color/Class
6	2	Snap-in rivet	PCB 1.6mm / Brass	tin plated
5	2	Bushing	MWS 3.1 / Brass	tin plated
4	2	Bracket	F1080-59 / Steel	tin plated
3	xx	Signal contact	P65 / Brass	G1
2	1	Shell	Steel	tin plated
1	1	Insulator	PBT (-55°C to +125°C) acc. UL94V-0	white

MEASUREMENTS WITHOUT TOLERANCE ACC TO ISO 2768-m

REPLACEMENT FOR DOCUMENT NUMBER: FxxP65G1-0921

FUNCTIONAL SYMBOLS: THIS DRAWING CONTAINS INFORMATION THAT IS PROPRIETARY TO MOLEX ELECTRONIC TECHNOLOGIES, LLC AND SHOULD NOT BE USED WITHOUT WRITTEN PERMISSION

DIMENSION UNITS: mm

SCALE: 2:1

GENERAL TOLERANCES (UNLESS SPECIFIED):

ANGULAR TOL ± °

4 PLACES ±

3 PLACES ±

2 PLACES ±

1 PLACE ±

0 PLACES ±

DIVISIONAL SYMBOLS: DRAFT WHERE APPLICABLE MUST REMAIN WITHIN DIMENSIONS

FIRST ANGLE PROJECTION

DRAWING: A3-SIZE

SERIES: 173109

MATERIAL NUMBER: SEE TABLE

CUSTOMER: GENERAL MARKET

SHEET NUMBER: 1 OF 1

EC NO: 716395

DRWN: SKANDB 2022/03/10

CHK'D: MTEUBEL 2022/08/02

APPR: MTEUBEL 2022/08/02

INITIAL REVISION:

DRWN: SKANDB 2022/03/10

APPR: MTEUBEL 2022/08/02

DOCUMENT NUMBER: 1731090780

DOC TYPE: PSD

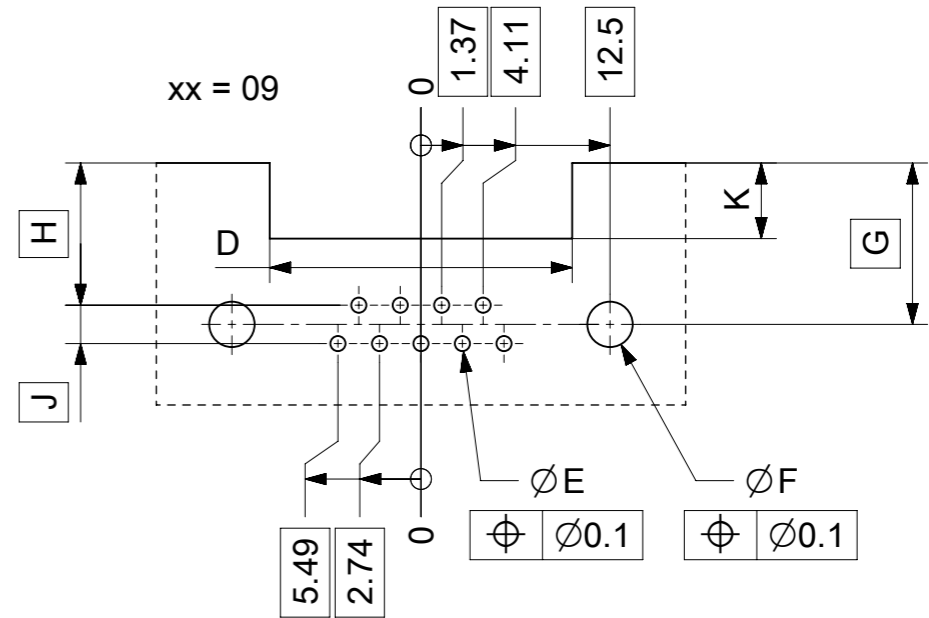
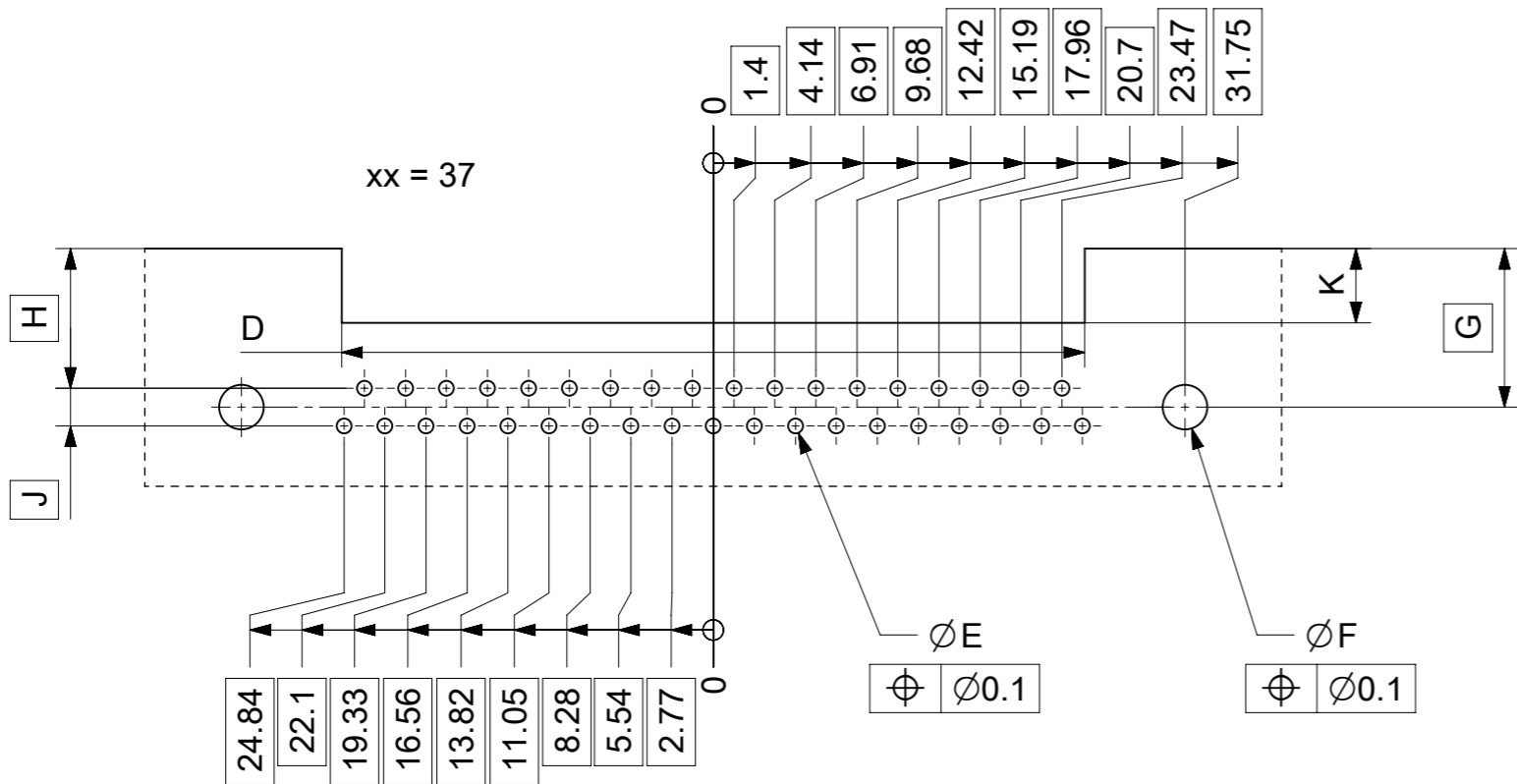
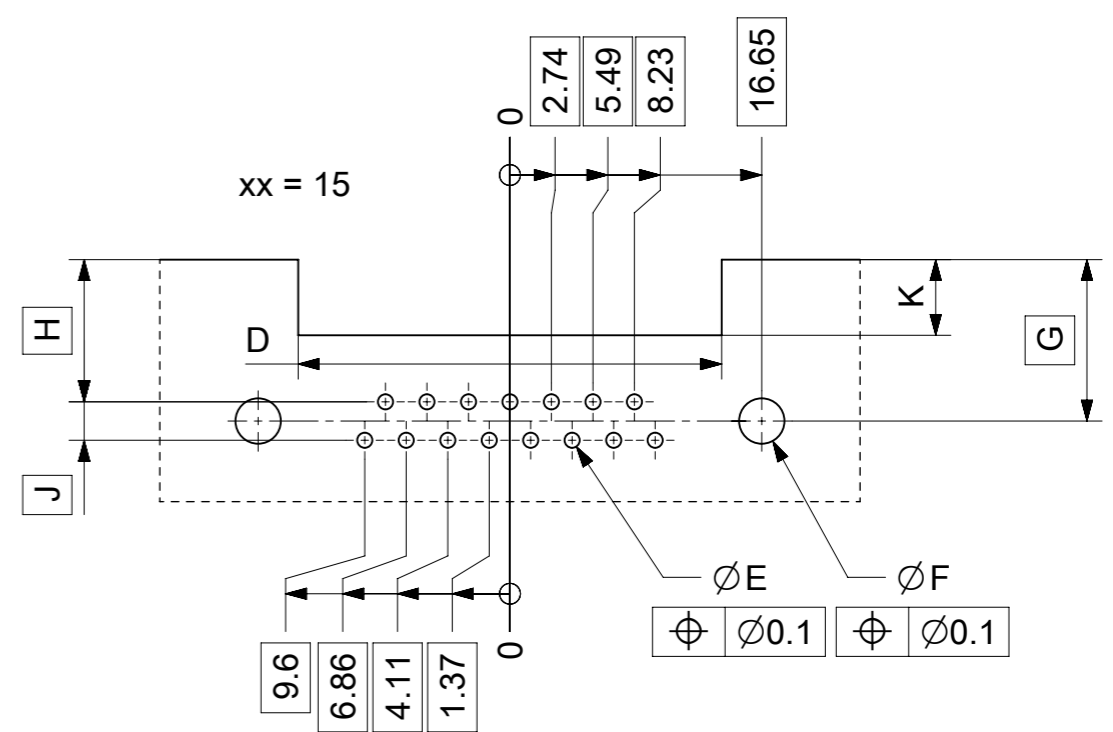
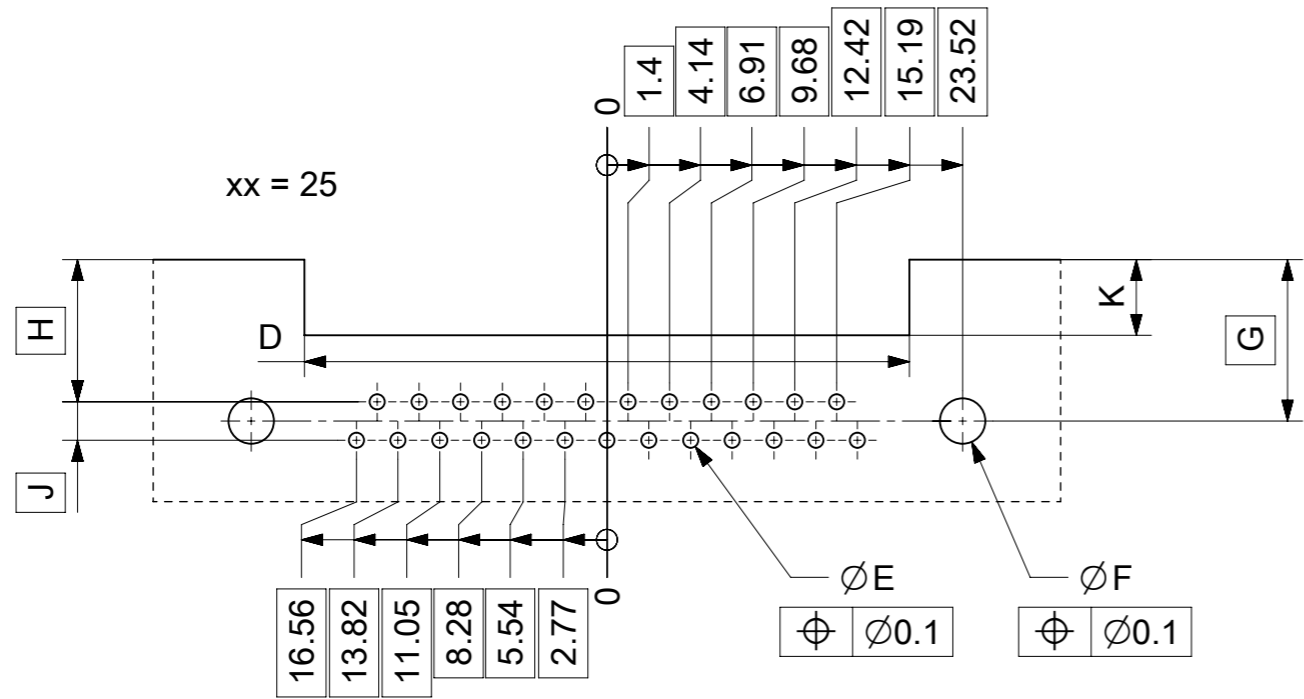
DOC PART: 000

REVISION: A

**molex**

FCT D-SUB MINIATURE CONNECTOR

PRODUCT CUSTOMER DRAWING



D, øE, øF, G, H, J, K see data sheet incl. connector  
 øF, G connectors with accessories only

MEASUREMENTS WITHOUT TOLERANCE ACC TO ISO 2768-m			REPLACEMENT FOR DOCUMENT NUMBER: AM0077				
THIS DRAWING CONTAINS INFORMATION THAT IS PROPRIETARY TO MOLEX ELECTRONIC TECHNOLOGIES, LLC AND SHOULD NOT BE USED WITHOUT WRITTEN PERMISSION							
FUNCTIONAL SYMBOLS	DIMENSION UNITS	SCALE	CURRENT REV DESC:				
$\nabla_A = 0$	mm	2:1	<b>molex</b> FCT PCB HOLE PATTERN CUTOUT R.A. CONTACT NO. OF CONTACTS 09-37 PRODUCT CUSTOMER DRAWING				
$\nabla_F = 0$	GENERAL TOLERANCES (UNLESS SPECIFIED)					EC NO: 713905	2022/05/16
$\nabla_V = 0$	ANGULAR TOL ± °					DRWN: SKANDB	2022/07/12
	4 PLACES ±					CHK'D: MTEUBEL	2022/07/12
DIVISIONAL SYMBOLS	3 PLACES ±		APPR: MTEUBEL	2022/07/12	DOCUMENT NUMBER		
	2 PLACES ±		INITIAL REVISION:		2195600077		
	1 PLACE ±		DRWN: SKANDB	2022/05/16	DOC TYPE		
	0 PLACES ±		APPR: MTEUBEL	2022/07/12	000		
DRAFT WHERE APPLICABLE MUST REMAIN WITHIN DIMENSIONS		FIRST ANGLE PROJECTION	DRAWING	SERIES	MATERIAL NUMBER		
			A3-SIZE	219560	219560		
			CUSTOMER	SHEET NUMBER			
			GENERAL MARKET	1 OF 1			