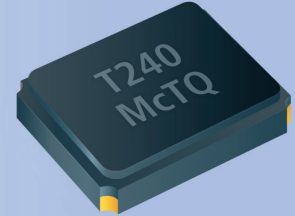


# SMD Glass Sealing Crystals

## 2.0 x 1.6 x 0.6 mm 7R Series

### Features

- 4 pads SMD glass sealed Crystal.
- Applications for NB, DSC, USB, Variety of compact portable consumer products reference clocks.
- High reliable environmental performance.
- Contains Pb in sealing glass exempted by RoHS directive.



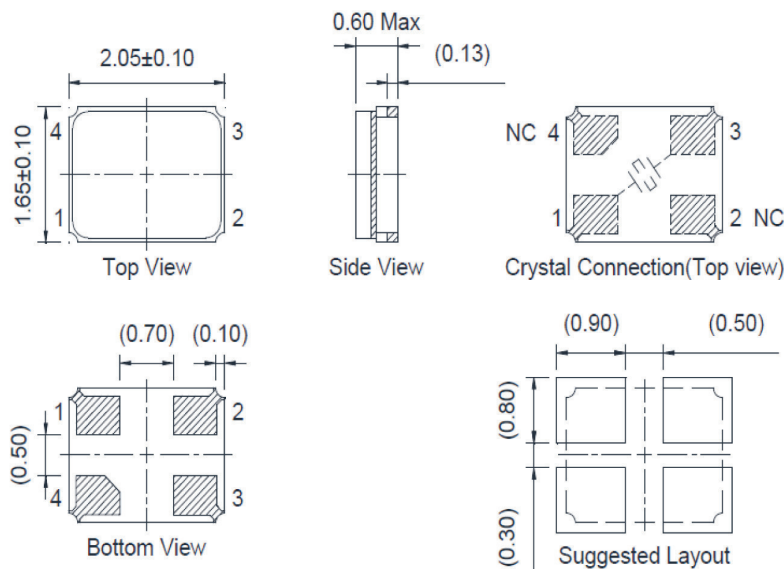
### Electrical Specifications

Item / Type	7R
Frequency Range	20 ~ 64 MHz
Frequency Tolerance(at 25°C)	± 10 ppm, ± 20 ppm, or specify
Frequency Stability Over Temperature Range	± 10 ppm, ± 20 ppm, or specify
Operating Temperature Range	± 10 ppm, ± 20 ppm, or specify
Shunt Capacitance(C0)	2 pF Max.
Drive Level	1 ~ 100 μW ( 10 μW typical)
Load Capacitance	7 ~ 20 pF, or specify
Aging(at 25°C)	± 3 ppm / year Max.
Storage Temperature Range	- 40 ~ + 85 °C

### Equivalent Series Resistance(ESR)

Fundamental			
20 ~ 24 MHz	200 Ω	30 ~ 36 MHz	120 Ω
24 ~ 30 MHz	150 Ω	36 ~ 64 MHz	80 Ω

### Dimensions



Units: mm

Remark : Specification subject to change without prior notice. Please confirm with our sales.

# Mouser Electronics

Authorized Distributor

Click to View Pricing, Inventory, Delivery & Lifecycle Information:

## [TXC Corporation:](#)

[7R-20.730MEDC-T](#) [7R-27.000MDDQ-T](#) [7R-27.000MDIE-T](#) [7R-27.000MEAB-T](#) [7R-27.000MEDJ-T](#) [7R-27.000MEDQ-T](#) [7R-27.120MAAQ-T](#) [7R-27.120MDDV-T](#) [7R-27.120MEHQ-T](#) [7R-32.000MATQ-T](#) [7R-32.000MDAV-T](#) [7R-32.000MDIE-T](#) [7R-32.000MEEB-T](#) [7R-32.000MEEV-T](#) [7R-32.000MEIB-T](#) [7R-38.40MDIQ-T](#) [7R-38.40MDIV-T](#) [7R-24.000MEEC-T](#) [7R-25.000MAAJ-T](#) [7R-25.000MAAQ-T](#) [7R-25.000MAHB-T](#) [7R-25.000MAHQ-T](#) [7R-25.000MDAK-T](#) [7R-25.000MDDB-T](#) [7R-25.000MDDE-T](#) [7R-25.000MDDQ-T](#) [7R-26.000MDDB-T](#) [7R-26.000MEEC-T](#) [7R-26.000MEEY-T](#) [7R-27.000MAAY-T](#) [7R-40.000MEEC-T](#) [7R-40.000MEEE-T](#) [7R-20.736MEDC-T](#) [7R-32.000METQ-T](#) [7R-38.400MDIQ-T](#) [7R-60.019MAAV-T](#) [7R-24.000MAAE-T](#)