



MQS

TE Internal #: 9-1670065-9

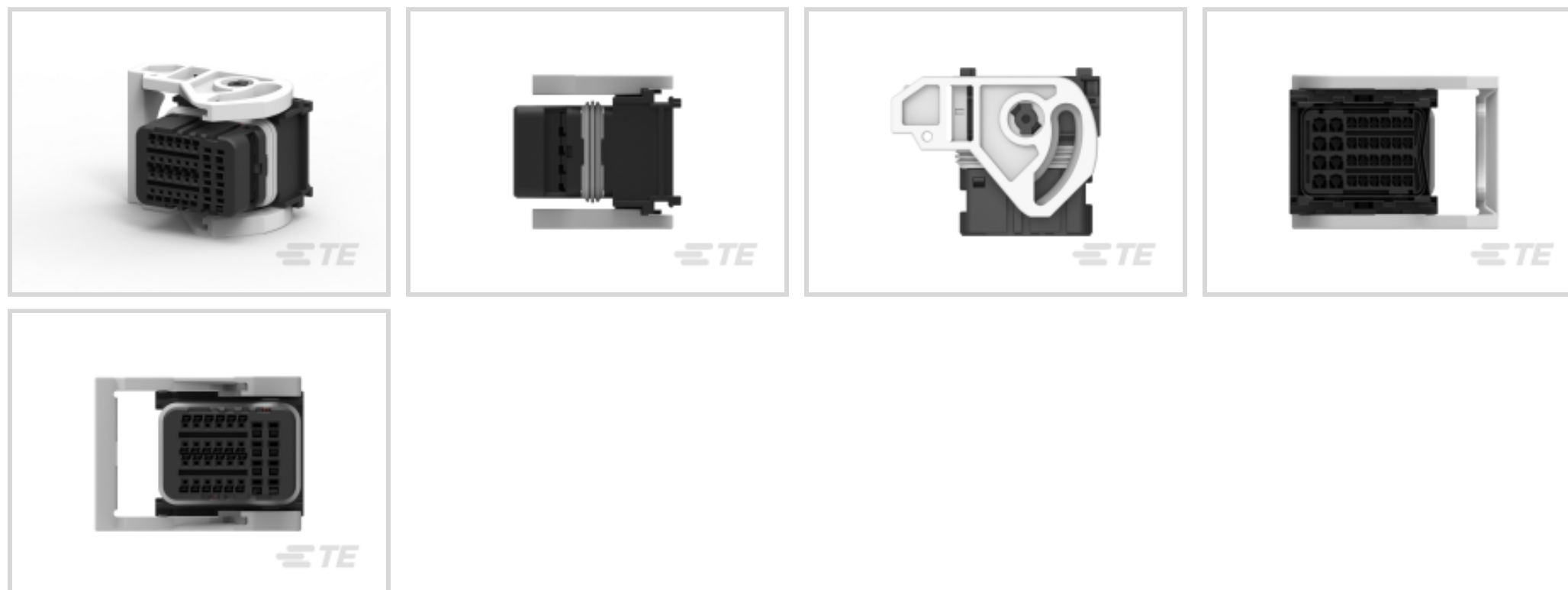
Housing for Female Terminals, Wire-to-Device / Wire-to-Board, 32

Position, .138 in / .146 in / .098 in [2.54 mm] Centerline, Black,

Signal, MQS

[View on TE.com >](#)

Connectors > Automotive Connectors > Connector Housings > MQS, CONNECTOR HOUSING



Connector & Housing Type: **Housing for Female Terminals**

Mating Tab Width: .63 mm [.025 in, .059 in]

Connector System: **Wire-to-Board, Wire-to-Device**

Number of Positions: **32**

Centerline (Pitch): 2.54 mm [.098 in, .138 in, .146 in]

[All MQS, CONNECTOR HOUSING \(557\)](#)

Features

Product Type Features

Connector Shape	Rectangular
Connector & Housing Type	Housing for Female Terminals
Connector System	Wire-to-Board, Wire-to-Device
Sealable	No
Hybrid Connector	Yes
Primary Locking Feature	Integrated in Housing

Configuration Features

Number of Positions	32
Number of Rows	4

Body Features

Body Material	PBT GF
Primary Product Color	Black



Connector Code	1
----------------	---

Contact Features

Contact Size	.63mm, 1.5mm
Contact Type	Receptacle
Mating Tab Width	.63 mm [.025 in] [.059 in]

Mechanical Attachment

Mounting Feature	Without
Terminal Position Assurance	No
Strain Relief	Without
Mating Alignment Type	Keyed
Mating Alignment	With
Connector Mounting Type	Cable Mount (Free-Hanging)

Housing Features

Centerline (Pitch)	2.54 mm [.098 in] [.138 in] [.146 in]
--------------------	---------------------------------------

Dimensions

Product Width	34.4 mm [1.35 in]
Product Length	29.6 mm [1.16 in]
Product Height	37.35 mm [1.47 in]
Row-to-Row Spacing	4.2 mm [.165 in]

Operation/Application

Circuit Application	Signal
---------------------	--------

Industry Standards

Agency/Standard	USCAR-2
-----------------	---------

Packaging Features

Packaging Quantity	528
Packaging Method	Box

Other

Connector Position Assurance Capable	No
--------------------------------------	----

Product Compliance

[For compliance documentation, visit the product page on TE.com>](#)

EU RoHS Directive 2011/65/EU	Compliant
------------------------------	-----------



EU ELV Directive 2000/53/EC	Compliant
China RoHS 2 Directive MIIT Order No 32, 2016	No Restricted Materials Above Threshold
EU REACH Regulation (EC) No. 1907/2006	Current ECHA Candidate List: JUNE 2022 (224) Candidate List Declared Against: JUN 2016 (169) SVHC > Threshold: Not Yet Reviewed
Halogen Content	Low Halogen - Br, Cl, F, I < 900 ppm per homogenous material. Also BFR/CFR/PVC Free
Solder Process Capability	Not applicable for solder process capability

Product Compliance Disclaimer

This information is provided based on reasonable inquiry of our suppliers and represents our current actual knowledge based on the information they provided. This information is subject to change. The part numbers that TE has identified as EU RoHS compliant have a maximum concentration of 0.1% by weight in homogenous materials for lead, hexavalent chromium, mercury, PBB, PBDE, DBP, BBP, DEHP, DIBP, and 0.01% for cadmium, or qualify for an exemption to these limits as defined in the Annexes of Directive 2011/65/EU (RoHS2). Finished electrical and electronic equipment products will be CE marked as required by Directive 2011/65/EU. Components may not be CE marked. Additionally, the part numbers that TE has identified as EU ELV compliant have a maximum concentration of 0.1% by weight in homogenous materials for lead, hexavalent chromium, and mercury, and 0.01% for cadmium, or qualify for an exemption to these limits as defined in the Annexes of Directive 2000/53/EC (ELV). Regarding the REACH Regulation, the information TE provides on SVHC in articles for this part number is based on the latest European Chemicals Agency (ECHA) 'Guidance on requirements for substances in articles' posted at this URL: <https://echa.europa.eu/guidance-documents/guidance-on-reach>

Compatible Parts



TE Part # 1719667-1
COVER MQS CB 90



TE Part # CAT-A11-T273
1.5/2.8 CONNECTOR SYSTEM, RECPT AND TAB



TE Part # 1719661-1
2 LOCK REC HSG



TE Part # 1719662-1
2 LOCK SOCK HSG

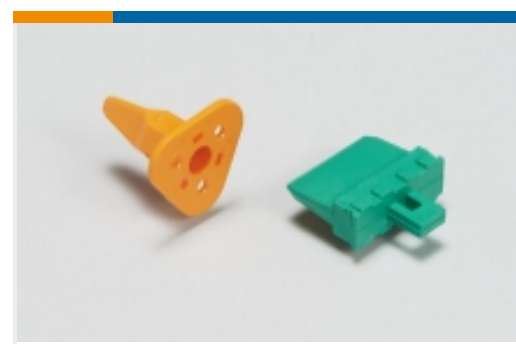
Also in the Series | MQS



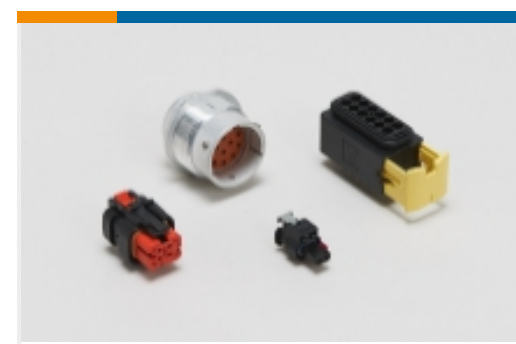
Automotive Connector Caps & Covers (133)



Automotive Connector EMC Shielding (2)



Automotive Connector Locks & Position Assurance (29)



Automotive Housings (492)



Automotive Seals & Cavity Plugs (26)



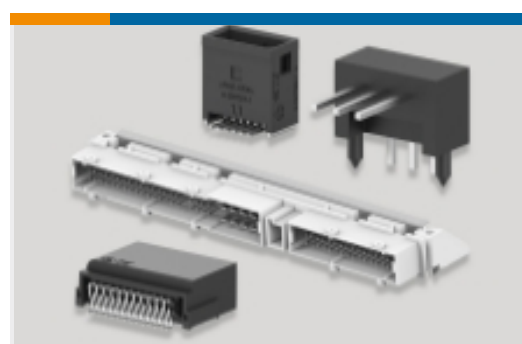
Automotive Terminals (96)



Insertion & Extraction Tools (42)



Other Automotive Connector Accessories (13)



PCB Headers & Receptacles (209)

Documents

CAD Files

Customer View Model

[ENG_CVM_CVM_9-1670065-9_D.2d_dxf.zip](#)

English

3D PDF

3D

Customer View Model

[ENG_CVM_CVM_9-1670065-9_D.3d_igs.zip](#)

English

Customer View Model

[ENG_CVM_CVM_9-1670065-9_D.3d_stp.zip](#)

English

By downloading the CAD file I accept and agree to the [Terms and Conditions](#) of use.

Datasheets & Catalog Pages

Micro Quadlok Interconnection System (MQS)

English



[Product Specifications](#)

[Application Specification](#)

English

Mouser Electronics

Authorized Distributor

Click to View Pricing, Inventory, Delivery & Lifecycle Information:

[TE Connectivity:](#)

[9-1670065-9](#)